

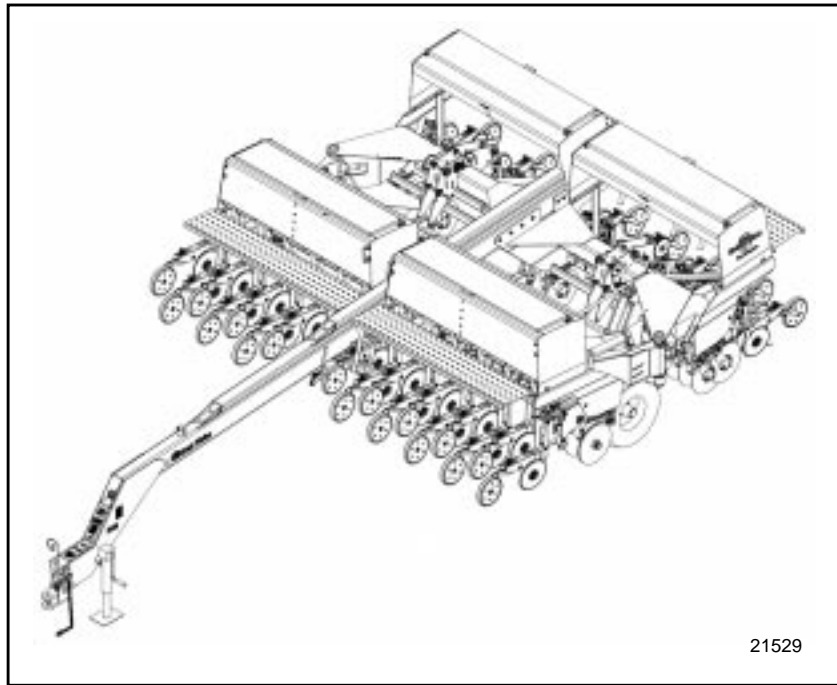
Parts Manual

3N-3010 & 3N-3020

3-S No-Till Drill



Read the operator's manual entirely. When you see this symbol, the subsequent instructions and warnings are serious - follow without exception. Your life and the lives of others depend on it!



21529

Cover illustration may show optional equipment not supplied with standard unit.



Table of Contents

Section 1 Introduction	1-1	10 & 20 Series Seed-Lok (Option)	7-15
General Information	1-1	Coulters	7-17
Using This Manual	1-1	Grease Bank	7-19
Manual Replacement Information	1-1	Coulter Tine (Option)	7-21
Manual Revisions	1-1	Section 8 Press Wheels	8-1
Touch-up Paint	1-1	2" x 13" Single Press Wheel	8-1
Hardware Legend	1-2	3" x 13" Single Press Wheel	8-3
Replacement Hardware	1-2	1" x 12" Double "V" Press Wheel	8-5
Serial Numbers	1-2	1 1/4" x 13 1/2" Double Press Wheel	8-7
Part Number Service Coding	1-2	2" x 12 1/2" Double Press Wheel	8-9
Part Number Index	1-3	1" x 12" Double "V" Press Wheel Short	8-11
Section 2 Tongue	2-1	1" x 12" Double "V" Press Wheel Long	8-13
Hitch To Tongue	2-1	1" x 10" Double "V" Press Wheel	8-15
Transport Latch	2-3	1 1/4" x 13" Double Press Wheel	8-17
Tongue To Center Frame	2-5	2" x 12 1/2" Double Press Wheel	8-19
Section 3 Rockshaft And Gauge Wheel	3-1	Section 9 Hydraulics	9-1
Rockshaft	3-1	Hydraulics	9-1
Rockshaft To Frame	3-3	Depth Stop	9-3
Gauge Wheels	3-5	Stroke Control Valve (810-445C)	9-5
Section 4 Box And Box Frames	4-1	Hydraulic Cylinder (810-475C)	9-7
Wing To Center	4-1	Hydraulic Cylinder (810-218C)	9-9
Box To Center Frame	4-3	Hydraulic Cylinder (810-287C)	9-11
Box To Wing Frames	4-5	Section 10 Point Row	10-1
Box Components	4-7	Point Row Clutch	10-1
Walkboards And Steps	4-9	Point Row Clutch Harness & Switch	10-3
Section 5 Metering System	5-1	Height Switch Cam	10-5
Feeder Cup Tray (7.5" LH)	5-1	Section 11 Decals	11-1
Feeder Cup Tray (7.5" RH)	5-3	Decal Placement	11-1
Feeder Cup Tray (10" LH)	5-5	Section 12 Options	12-1
Feeder Cup Tray (10" RH)	5-7	Flat Fold Marker	12-1
Section 6 Drive	6-1	Marker Disk And Bearings	12-3
Contact Drive Wheel	6-1	Single Marker Hydraulics	12-5
Transmission Drive	6-3	Dual Marker Hydraulics	12-7
Wing Drive	6-5	Hydraulic Cylinder (810-118C)	12-9
Ratchet Clutch CW (RH Side) (196-265S)	6-7	Marker Sequence Valve (810-197C)	12-11
Ratchet Clutch CCW (LH Side) (196-266S)	6-9	Harrow	12-13
Section 7 Openers	7-1	Weight Bracket	12-15
10 Series Opener Arms & Mounts	7-1	Small Seeds Box Components (Center Section)	12-17
10 Series Opener Body	7-3	Small Seeds Box Components (Wings)	12-19
20 Series Opener Arms & Mounts	7-5	Veris Drive To Frame	12-21
20 Series Opener Body	7-7	Veris Sensor Mount Bracket	12-23
Keeton Seed Firmer (Option)	7-9	Veris Drive Components	12-25
Air Design Scraper (Option)	7-11	Veris Drive Controller	12-27
Side Wheel Scraper (Option)	7-13		

© Copyright 2003 All rights Reserved

Great Plains Manufacturing, Inc. provides this publication "as is" without warranty of any kind, either expressed or implied. While every precaution has been taken in the preparation of this manual, Great Plains Manufacturing, Inc. assumes no responsibility for errors or omissions. Neither is any liability assumed for damages resulting from the use of the information contained herein. Great Plains Manufacturing, Inc. reserves the right to revise and improve its products as it sees fit. This publication describes the state of this product at the time of its publication, and may not reflect the product in the future.

Great Plains Manufacturing, Incorporated Trademarks
The following are trademarks of Great Plains Mfg., Inc.: Application Systems, Ausherman, Land Pride, Great Plains

All other brands and product names are trademarks or registered trademarks of their respective holders.

Printed in the United States of America.



Alphabetical Page Index

Numerics

1 1/4" x 13 1/2" Double Press Wheel	.8-7
1 1/4" x 13" Double Press Wheel	.8-17
1" x 10" Double "V" Press Wheel	.8-15
1" x 12" Double "V" Press Wheel	.8-5
1" x 12" Double "V" Press Wheel Long	.8-13
1" x 12" Double "V" Press Wheel Short	.8-11
10 & 20 Series Seed-Lok (Option)	.7-15
10 Series Opener Arms & Mounts	.7-1
10 Series Opener Body	.7-3
2" X 12 1/2" Double Press Wheel	.8-19
2" x 12 1/2" Double Press Wheel	.8-9
2" x 13" Single Press Wheel	.8-1
20 Series Opener Arms & Mounts	.7-5
20 Series Opener Body	.7-7
3" x 13" Single Press Wheel	.8-3

A

Air Design Scraper (Option)	.7-11
-----------------------------	-------

B

Box Components	.4-7
Box To Center Frame	.4-3
Box To Wing Frames	.4-5

C

Contact Drive Wheel	.6-1
Coulter Tine (Option)	.7-21
Coulters	.7-17

D

Decal Placement	.11-1
Depth Stop	.9-3

F

Feeder Cup Tray (10" LH)	.5-5
Feeder Cup Tray (10" RH)	.5-7
Feeder Cup Tray (7.5" LH)	.5-1
Feeder Cup Tray (7.5" RH)	.5-3

G

Gauge Wheels	.3-5
Grease Bank	.7-19

H

Height Switch Cam	.10-5
Hitch To Tongue	.2-1
Hydraulic Cylinder (810-475C)	.9-7
Hydraulic Cylinder (810-218C)	.9-9
Hydraulic Cylinder (810-287C)	.9-11
Hydraulics	.9-1

K

Keeton Seed Firmer (Option)	.7-9
-----------------------------	------

P

Point Row Clutch	.10-1
Point Row Clutch Harness & Switch	.10-3

R

Ratchet Clutch CCW (196-266S)	.6-9
Ratchet Clutch CW (196-265S)	.6-7
Rockshaft	.3-1
Rockshaft To Frame	.3-3

S

Side Wheel Scraper (Option)	.7-13
Singulating Meter	.5-1
Stroke Control Valve (810-445C)	.9-5

T

Tongue To Center Frame	.2-5
Transmission Drive	.6-3
Transport Latch	.2-3

W

Walkboards And Steps	.4-9
Wing Drive	.6-5
Wing To Center	.4-1



General Information

Using This Manual

This manual is divided into sections. The first section contains General Information, a Table of Contents, an Alphabetical Page Index, and a Part Number Index. The remaining sections divide the machine into segments (i.e. Frames, Drives, Hydraulics, etc.) which illustrate and list all parts.

The Great Plains parts in this manual are specially designed for this machine and should be replaced with Great Plains parts only.

The information in this manual is current at printing. Some parts may change to assure top performance.

Right-hand and left-hand as used in this manual are determined by facing the direction the machine will travel while in use.

Below is an example of two facing pages from a parts manual. Familiarize yourself with the contents of these pages.

Manual Replacement Information

Replacement manuals are available. Refer to your dealer or the Great Plains Publications Catalog for additional information.

Manual Revisions

When this manual is revised, the modification date is printed on the front cover and on the revised page(s).

Touch-up Paint

Repaint parts where paint is worn or scratched to prevent rust. Aerosol touch-up paint is available. To order use Great Plains parts numbers below:

- GP Green 821-001C
- GP Black 821-002C
- GP Beige 821-003C
- GP Buckskin 821-004C

The diagram shows two facing pages from a parts manual. The left page is an illustration page, and the right page is a parts list page. Labels with arrows point to various elements on both pages:

- Page Number:** 2-1
- Manual Name:** CF500 and CF600
- Serial Number Break:** S/N 00000-
- Illustration Page:** Tongue & Pull Bar (S/N 00000-)
- Illustration Heading:** Tongue & Pull Bar (S/N 00000-)
- Illustration:** A technical drawing of the tongue and pull bar assembly with numbered callouts (1-24).
- Illustration Number:** 10207
- Manual Number:** 175-083P
- New or Modification Date:** 7/1/99
- Parts Page:** Tongue & Pull Bar (S/N 00000-)
- Section Name:** Frames | 2-2
- Section Number:** 2
- Parts List:** A list of 24 parts with their part numbers and descriptions, such as "13' END WHEEL TONGUE WELDMENT", "PULL BAR WELDMENT LH", etc.
- Manual Number (right page):** 175-083P
- New or Modification Date (right page):** 7/1/98

Hardware Legend

AR	As Required
BLADE	Blade Bolt
C	Cap Screw
CP	Cotter Pin
CPHSSS	Cup Point Hex Socket Set Screw
CPSHSS	Cup Point Square Head Set Screw
CPSQHSS	Cup Point Square Head Set Screw
CRFCHMS	Cross Recess Flat Countersunk Head Mach. Screw
CRPHMS	Cross Recess Pan Head Machine Screw
CRPHTFS	Cross Recess Pan Head Thread Forming
CRRHMS	Cross Recess Round Head Machine Screw
CRTHMS	Cross Recess Truss Head Machine Screw
CSNB	Countersunk Square Neck Bolt
FHMS	Flat Head Machine Screw
FTC	Full Thread Cap Screw
H	Hex Nut
HCLN	Hex Center Lock Nut
HFLCS	Hex Flange Lock Cap Screw
HFS	Hex Flange Screw
HFSLN	Hex Flange Serrated Lock Nut
HFSS	Hex Flange Serrated Screw
HHCS	Hex Head Cap Screw or Metric Bolt
HSBHCS	Hex Socket Button Head Cap Screw
HSFCHCS	Hex Socket Flat Countersunk Head Cap Screw
HSHCS	Hex Socket Head Cap Screw
HSSS	Hex Socket Head Screw
HTLN	Hex Top Lock Nut
HWHCS	Hex Washer Head Cap Screw

HWHMS	Hex Washer Head Machine Screw
HXBHCS	Hex Socket Button Head Cap Screw
J	Hex Jam Nut
JIC	37 Degree Tapered Thread
L	Helical Spring Lock Washer
LUG	Lug Bolt
NFC	National Fine Cap Screw
NPSM	National Pipe Straight Mechanical
NPTF	National Pipe Taper Fuel
P	Wide Plain Washer
PHMS	Pan Head Machine Screw
PLOW	Plow Bolt
RHMS	Round Head Machine Screw
RHSNB	Round Head Square Neck Bolt
SCREW LEVELING	Leveling Screw
SCREW THUMB	Thumb Screw
SCREW WELD	Weld Screw
SFCHMS	Slotted Flat Countersunk Head Machine Screw
SFHMS	Slotted Fillister Head Machine Screw
SP	Special
SP SCREW	Special Screw
SQHSS	Square Head Set Screw
SRHMS	Slotted Round Head Machine Screw
SSS	Socket Set Screw
STCS	Self Tapping Cap Screw
STHMS	Slotted Truss Head Machine Screw
WHEEL	Wheel Studs and Hub Long Bolts
WING	Wing Bolt

Replacement Hardware

The **Hardware Legend** above lists hardware abbreviations used in the parts lists. All bolts and nuts are grade 5 unless otherwise noted. The use of improper grades of hardware can result in personal injury, damage to equipment, or loss of property.

Serial Numbers

Always use the serial and model number when ordering parts. Refer to the operator's manual for serial number plate location.

(S/N 20001+ or S/N 20001 and above) Includes serial numbers 20001 and above (to the latest number)

(S/N 10001↔20000) Includes serial numbers between 10000 and 20001

(S/N 10000- or S/N 10000 and below) Includes serial numbers 10000 and below (to the earliest number)

Part Number Service Coding

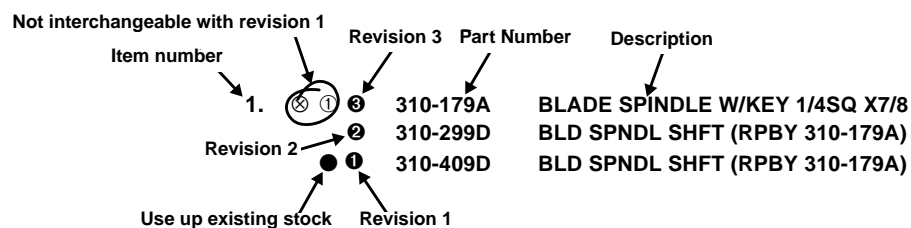
Within the parts lists some part numbers are coded for revisions and interchangeability.

Bold face type indicates parts that have been revised. These parts are considered interchangeable unless otherwise noted.

Service Code Legend:

- ① First revision, e.g.; ② is 2nd revision, ③ is 3rd revision, etc.
(Greater numbers are the newest.)
- Use existing stock of this part before ordering the revision.
- ⊗ Not interchangeable
- ⊗①② Revision 2 is not interchangeable w/1

The sample below shows how these codes are used.



Part Number Index

<u>Part Number</u>	<u>Page</u>	<u>Part Number</u>	<u>Page</u>	<u>Part Number</u>	<u>Page</u>	<u>Part Number</u>	<u>Page</u>
1042	12-12	118-226S	5-4	120-309D	12-24	188-001V	7-4
1099	12-12	118-226S	5-6	120-309D	12-28	188-001V	7-8
1179	12-12	118-226S	5-8	120-309D	6-2	188-008V	7-16
1180	12-12	118-315D	5-6	120-311D	12-24	194-070D	2-2
1182	12-12	118-315D	5-8	120-313D	6-6	195-157D	6-4
1211	12-12	118-336D	5-2	122-055S	9-4	195-243D	10-2
1217	12-12	118-336D	5-4	122-065D	9-4	196-112D	2-2
1218	12-12	118-336D	5-6	122-120D	7-16	196-136H	2-2
2153	12-12	118-336D	5-8	122-164D	7-16	196-177H	3-4
3089	12-12	118-339D	5-6	122-165D	7-16	196-185H	9-4
5396	9-6	118-339D	5-8	122-166D	7-16	196-186H	9-4
5397	9-6	118-340D	5-2	122-167D	7-16	196-208K	3-2
8062	9-6	118-340D	5-4	122-168D	7-12	196-215H	3-6
4112301	10-4	118-341D	5-2	122-169D	7-4	196-216H	3-2
4301115	10-4	118-341D	5-4	122-172D	7-2	196-217H	2-2
107-111D	7-4	118-341D	5-6	122-172D	7-6	196-219H	2-4
107-133S	7-8	118-341D	5-8	122-201S	7-16	196-220H	6-2
107-138S	7-4	118-346D	5-2	122-202S	8-10	196-221H	3-4
107-138S	7-8	118-346D	5-4	122-202S	8-2	196-221H	4-2
1087-250	12-12	118-347D	5-6	122-202S	8-4	196-222H	4-2
1087-437	12-12	118-347D	5-8	122-202S	8-6	196-222H	4-6
1088-011	12-12	118-353D	5-6	122-202S	8-8	196-223H	4-2
1088-905	12-12	118-353D	5-8	122-250H	7-16	196-223H	4-6
1088-906	12-12	118-356D	5-6	122-257H	7-8	196-224K	3-4
1088-908	12-12	118-356D	5-8	129BXT800	7-10	196-225H	4-2
1089-011	12-12	118-370D	5-2	129BXT810	7-10	196-226H	4-2
109-091D	5-2	118-370D	5-4	129BXT811	7-10	196-227H	4-10
109-091D	5-4	118-372D	5-6	133-196L	12-18	196-230H	4-2
109-091D	5-6	118-372D	5-8	133-196L	12-20	196-231H	4-2
109-091D	5-8	118-376D	5-2	133-213L	12-18	196-245H	6-4
1092-6	12-12	118-376D	5-4	133-213L	12-20	196-245H	6-6
113-180H	12-2	118-402D	4-4	133-234H	12-18	196-246H	6-4
113-188H	12-2	118-402D	4-6	133-234H	12-20	196-247H	4-2
113-200H	12-2	118-437D	5-2	136-110D	6-6	196-249S	6-4
113-248D	12-2	118-437D	5-4	136-176D	6-2	196-254H	10-2
113-311D	12-2	118-438D	5-2	136-178D	6-6	196-265S	6-2
113-312D	12-2	118-438D	5-4	136-182D	12-22	196-266S	6-2
113-313D	12-2	118-443D	5-2	136-204D	12-18	196-269L	6-4
113-319D	12-2	118-443D	5-4	136-204D	12-20	196-270L	6-4
113-323D	12-2	118-474H	4-8	149-059D	7-18	196-271H	6-2
113-324D	12-2	118-508D	5-2	149-086D	7-18	196-272K	3-2
113-325D	12-2	118-508D	5-4	149-558D	7-18	196-273K	3-2
113-341H	12-2	118-508D	5-6	149-559D	7-18	196-274K	3-6
113-343H	12-2	118-508D	5-8	149-570D	7-22	196-275K	3-6
113-345H	12-4	118-616D	5-2	150-138D	12-18	196-430D	9-2
113-346H	12-4	118-616D	5-4	150-138D	4-4	196-461D	2-4
113-350H	12-2	118-639D	5-2	150GP022E	7-10	196-462D	2-4
113-351H	12-2	118-640D	5-2	151-026H	4-10	196-463D	2-4
113-360S	12-2	118-640D	5-4	152-179H	9-4	196-464D	2-4
113-360S	12-4	118-640D	5-6	152-379D	9-4	196-534D	3-2
113-378D	12-2	118-640D	5-8	152-380D	9-4	196-546D	4-2
113-398D	12-2	118-641D	5-2	160-201H	3-4	196-551D	6-2
113-370D	2-2	118-641D	5-4	160-201H	3-6	196-553D	6-2
113-488D	12-8	118-641D	5-6	161-107H	3-6	196-554D	6-2
113-730H	12-2	118-641D	5-8	170-033H	2-2	196-555D	6-2
113-731H	12-2	118-643D	5-4	170-034H	2-2	196-556D	6-2
113-734H	12-2	118-644D	5-6	175-180S	4-8	196-571D	4-2
1132-05	12-12	118-645D	5-8	176-065D	6-10	196-572D	4-2
1132-08	12-12	119-153D	4-8	176-065D	6-8	196-573D	4-2
116-062H	12-14	119-154D	4-8	176-066D	6-10	196-580D	6-4
116-065H	12-14	119-190D	12-20	176-066D	6-8	196-580D	6-6
116-114D	12-14	119-190D	4-6	176-076D	6-8	196-581D	6-4
116-116D	12-14	119-211D	4-10	176-077D	6-10	196-582D	6-10
116-191D	12-14	119-230H	4-8	176-078D	6-8	196-582D	6-8
116-202H	12-14	120-293D	6-4	176-079D	6-10	196-584D	6-4
116-205H	12-14	120-305D	6-4	176-084D	6-10	196-584D	6-6
116-229D	12-14	120-306D	6-4	176-084D	6-8	196-590D	6-2
118-226S	5-2	120-306D	6-6	181-064D	3-2	196-593D	10-2

Part Number Index

<u>Part Number</u>	<u>Page</u>	<u>Part Number</u>	<u>Page</u>	<u>Part Number</u>	<u>Page</u>	<u>Part Number</u>	<u>Page</u>
196-593D	6-4	198-999S	7-8	313-176D	4-8	800-148C	4-4
196-595D	4-10	199-011D	8-12	313-186D	4-8	800-158C	7-20
196-596D	4-10	199-011D	8-14	3R0310	12-10	800-164C	7-18
196-599D	6-2	199-011D	8-16	3R6012	9-8	800-177C	6-10
196-600D	6-2	199-011D	8-18	3R7512	9-10	800-177C	6-8
196-602D	7-22	199-011D	8-20	3R8512	9-12	800-177C	7-18
196-603D	2-6	199-015D	8-16	402-022H	6-4	800-211C	7-18
196-604D	2-6	199-022H	8-6	402-025S	12-22	800-211C	7-20
196-849D	7-2	199-024H	8-14	402-025S	12-24	800-213C	7-4
196-849D	7-6	199-025H	8-12	402-025S	6-2	800-213C	7-8
196-851D	6-4	199-025H	8-18	402-025S	6-4	800-311C	6-4
196-852D	6-6	199-025H	8-20	402-025S	6-6	800-321C	12-18
197-001D	4-2	199-036D	8-12	402-058D	12-24	801-013C	12-2
197-010D	7-18	199-036D	8-14	402-058D	6-2	801-002C	7-2
197-062D	12-16	199-038H	8-10	402-126H	6-4	801-002C	7-6
197-089D	4-8	199-038H	8-8	402-130D	4-2	801-005C	10-6
197-091D	4-8	199-039H	8-10	402-242D	6-4	801-035C	12-24
197-096D	4-8	199-039H	8-20	405-031D	8-10	801-035C	5-2
197-148K	3-6	199-040H	8-10	405-031D	8-18	801-035C	5-4
197-154H	4-4	199-040H	8-20	405-031D	8-20	801-035C	5-6
197-154H	4-6	199-041S	8-10	407-073D	6-2	801-035C	5-8
197-154H	4-8	199-041S	8-20	4M3102	12-10	801-035C	6-2
197-159H	12-16	199-042D	8-2	4M6108	9-8	801-057C	5-2
197-160H	12-16	199-042D	8-4	4R7106	9-10	801-057C	5-4
197-161M	12-16	199-042S	8-10	4R8106	9-12	801-057C	5-6
197-194D	6-6	199-042S	8-20	5M3128	12-10	801-057C	5-8
197-194D	7-20	199-050D	8-12	5M6124	9-8	801-078C	7-16
198-029D	12-22	199-050D	8-14	5R7120	9-10	801-084C	7-16
198-057S	7-8	199-050D	8-18	5R8120	9-12	801-096C	4-8
198-137D	8-10	199-050D	8-20	6R0158	12-10	801-141C	7-16
198-137D	8-2	1M6006	12-10	6R5164	9-8	801-151C	4-4
198-137D	8-4	1M6016	9-10	6R7164	9-10	801-154C	4-8
198-137D	8-6	1M7018	9-12	6R8164	9-12	802-014C	12-12
198-137D	8-8	1M7021	9-8	7M3328	12-10	802-022C	12-2
198-183D	7-8	200-001D	3-6	7M6324	9-8	802-042C	12-2
198-201D	7-8	200-001D	7-18	7M7320	9-10	802-115C	12-2
198-202D	7-8	200-002S	7-18	7M8320	9-12	802-125C	12-4
198-239D	7-2	200-003D	3-6	800-001C	12-2	802-168C	12-2
198-239D	7-6	200-006D	3-2	800-001C	3-6	802-201C	12-2
198-240D	7-6	200-039V	7-18	800-001C	4-2	802-234C	12-2
198-241D	7-4	204-005S	6-2	800-001C	6-4	802-260C	12-2
198-241D	7-8	204-017D	6-2	800-001C	7-18	802-261C	12-2
198-246D	7-2	204-295D	7-18	800-001C	7-8	802-002C	9-4
198-246D	7-6	248-251D	4-6	800-004C	5-2	802-004C	4-6
198-247D	7-6	249-050S	7-18	800-004C	5-4	802-004C	5-2
198-258D	6-2	249-051H	7-18	800-004C	5-6	802-004C	5-4
198-259D	6-2	298-324S	7-8	800-004C	5-8	802-004C	5-8
198-260D	6-2	2A0006	12-10	800-009C	5-2	802-004C	6-10
198-263D	7-14	2A0006	9-10	800-009C	5-4	802-004C	6-6
198-264D	7-14	2A0006	9-12	800-009C	5-6	802-004C	6-8
198-265D	7-8	2A0012	12-10	800-009C	5-8	802-004C	7-20
198-266D	7-8	2A0012	12-10	800-054C	8-10	802-005C	10-2
198-267D	7-8	2A0012	9-10	800-054C	8-20	802-005C	2-4
198-613H	7-2	2A0012	9-12	800-060C	9-2	802-005C	8-12
198-613H	7-6	2A0012	9-8	800-082C	12-6	802-005C	8-14
198-614H	7-2	2A0018	9-8	800-082C	12-8	802-005C	8-18
198-614H	7-6	2A0019	9-10	800-085C	6-2	802-005C	8-6
198-615H	7-8	2A0019	9-12	800-093C	7-16	802-005C	8-8
198-616H	7-4	2A0022	12-10	800-101C	4-8	802-009C	5-6
198-618H	7-2	2A0024	9-10	800-107C	5-2	802-009C	6-2
198-618H	7-6	2A0024	9-8	800-107C	5-4	802-009C	6-4
198-619H	7-2	2A0025	9-12	800-107C	5-6	802-009C	6-6
198-619H	7-6	2A0132	12-10	800-107C	5-8	802-014C	5-2
198-810H	4-10	2A0208	12-10	800-112C	4-4	802-014C	5-4
198-821H	8-16	2M3326	12-10	800-118C	7-8	802-014C	5-6
198-956K	7-8	2M7520	9-10	800-121C	4-8	802-014C	5-8
198-957K	6-2	2M8518	9-12	800-130C	7-20	802-017C	10-2
198-998S	7-8	2S6622	9-8	800-144C	10-6	802-017C	4-8

Part Number Index

<u>Part Number</u>	<u>Page</u>	<u>Part Number</u>	<u>Page</u>	<u>Part Number</u>	<u>Page</u>	<u>Part Number</u>	<u>Page</u>
802-022C	12-14	802-226C	2-4	803-006C	7-20	803-088C	8-14
802-022C	6-2	802-228C	7-4	803-006C	9-4	803-088C	8-16
802-022C	6-4	802-228C	7-8	803-007C	10-2	803-088C	8-18
802-022C	7-16	802-252C	6-4	803-007C	6-2	803-088C	8-2
802-023C	9-8	802-257C	12-26	803-007C	7-2	803-088C	8-4
802-026C	9-4	802-274C	12-26	803-007C	7-6	803-088C	8-6
802-029C	8-12	802-274C	7-2	803-008C	10-2	803-088C	8-8
802-029C	8-14	802-274C	7-6	803-011C	12-24	803-147C	2-4
802-029C	8-16	802-274C	9-4	803-011C	4-8	803-169C	12-18
802-029C	8-18	802-279C	10-2	803-013C	12-14	803-169C	12-20
802-029C	8-20	802-282C	6-2	803-013C	7-10	803-169C	12-22
802-034C	4-10	802-282C	6-4	803-014C	12-18	803-169C	12-26
802-034C	4-4	802-282C	6-6	803-014C	12-20	803-169C	4-4
802-034C	6-2	802-293C	4-2	803-014C	7-10	803-169C	4-6
802-038C	4-10	802-317C	2-2	803-014C	7-12	803-169C	7-2
802-039C	12-22	802-323C	12-14	803-014C	7-16	803-169C	7-6
802-039C	2-2	802-332C	7-18	803-014C	7-22	803-169C	8-10
802-041C	2-4	802-352C	7-8	803-014C	7-4	803-169C	8-2
802-057C	12-16	802-387C	4-4	803-014C	9-4	803-169C	8-4
802-058C	8-16	802-387C	4-6	803-019C	2-4	803-169C	8-6
802-058C	8-2	802-388C	4-10	803-019C	3-6	803-169C	8-8
802-058C	8-4	802-411C	4-8	803-019C	4-10	803-177C	12-22
802-058C	8-6	802-411C	7-10	803-020C	12-14	803-177C	12-24
802-058C	8-8	802-413C	6-6	803-020C	12-8	803-177C	12-26
802-059C	8-10	802-419C	7-2	803-020C	2-2	803-177C	6-2
802-059C	8-18	802-419C	7-6	803-020C	4-10	803-177C	6-4
802-059C	8-20	802-421C	8-10	803-020C	4-4	803-177C	6-6
802-065C	12-2	802-421C	8-2	803-020C	6-2	803-194C	5-2
802-065C	2-4	802-421C	8-4	803-020C	6-4	803-194C	5-4
802-069C	3-2	802-421C	8-6	803-020C	6-6	803-194C	5-6
802-070C	9-4	802-421C	8-8	803-020C	7-18	803-194C	5-8
802-079C	12-14	802-424C	6-2	803-021C	12-16	803-199C	4-4
802-079C	4-10	802-424C	6-4	803-021C	6-2	803-199C	4-6
802-079C	7-12	802-424C	6-6	803-021C	7-18	803-209C	4-10
802-079C	7-22	802-425C	4-8	803-021C	7-2	803-209C	4-8
802-079C	7-4	802-426C	4-2	803-021C	7-6	803-209C	6-2
802-082C	7-18	802-429C	2-6	803-021C	8-12	803-209C	6-4
802-086C	4-2	802-430C	7-8	803-021C	8-14	803-209C	7-14
802-091C	6-2	802-469C	6-2	803-021C	8-18	803-219C	3-2
802-091C	6-4	802-551C	6-2	803-021C	8-20	803-229C	8-12
802-091C	6-6	802-572C	12-24	803-025C	2-4	803-229C	8-14
802-092C	7-8	802-580C	12-22	803-025C	3-2	803-229C	8-16
802-095C	6-2	802-580C	12-26	803-025C	9-4	803-229C	8-18
802-096C	12-16	802-594C	4-2	803-026C	4-2	803-229C	8-20
802-099C	3-6	802-616C	9-4	803-027C	12-16	803-273C	9-4
802-099C	6-4	802-617C	7-10	803-027C	4-2	803-293C	4-6
802-104C	3-6	802-617C	8-2	803-027C	6-2	803-307C	7-8
802-126C	7-22	802-618C	8-4	803-029C	3-2	804-011C	12-2
802-138C	12-14	802-642C	12-26	803-029C	3-6	804-013C	12-12
802-138C	2-2	802-672C	6-4	803-029C	7-18	804-014C	12-2
802-149C	7-14	802-694C	7-8	803-031C	12-16	804-015C	12-2
802-159C	12-22	802-705C	12-24	803-031C	2-6	804-017C	12-2
802-160C	8-12	802-705C	7-14	803-032C	3-6	804-023C	12-2
802-160C	8-14	802-718C	7-18	803-032C	4-2	804-025C	12-4
802-162C	6-2	803-011C	12-2	803-034C	2-2	804-029C	12-2
802-166C	2-2	803-013C	12-2	803-034C	3-6	804-004C	4-8
802-178C	7-22	803-015C	12-2	803-036C	12-18	804-006C	2-4
802-179C	7-8	803-019C	12-2	803-036C	12-20	804-006C	6-10
802-182C	3-2	803-020C	12-2	803-036C	6-2	804-006C	6-6
802-196C	8-16	803-027C	12-2	803-038C	4-2	804-006C	6-8
802-203C	12-18	803-036C	12-2	803-043C	7-8	804-006C	7-20
802-203C	12-20	803-053C	12-4	803-049C	7-18	804-006C	9-4
802-203C	12-26	803-159C	12-4	803-049C	7-22	804-007C	6-6
802-203C	4-4	803-001C	10-6	803-078C	4-10	804-007C	7-20
802-203C	4-6	803-001C	4-8	803-079C	4-2	804-009C	2-2
802-214C	7-18	803-003C	4-8	803-084C	12-14	804-009C	7-14
802-226C	12-18	803-006C	2-4	803-088C	12-26	804-010C	10-2
802-226C	12-20	803-006C	6-6	803-088C	8-12	804-010C	12-14

Part Number Index

<u>Part Number</u>	<u>Page</u>	<u>Part Number</u>	<u>Page</u>	<u>Part Number</u>	<u>Page</u>	<u>Part Number</u>	<u>Page</u>
804-011C	4-8	804-023C	12-16	805-063C	7-8	807-076C	7-6
804-011C	7-16	804-023C	4-2	805-063C	8-20	807-078C	2-4
804-011C	7-22	804-023C	6-2	805-064C	6-4	807-079C	12-14
804-012C	12-14	804-024C	2-4	805-067C	4-8	807-088C	8-12
804-012C	4-10	804-027C	12-16	805-067C	6-4	807-088C	8-16
804-012C	5-2	804-027C	2-6	805-067C	7-8	807-088C	8-18
804-012C	5-4	804-028C	2-6	805-067C	8-12	807-088C	8-20
804-012C	5-6	804-029C	12-16	805-067C	8-14	807-097C	6-10
804-012C	5-8	804-029C	3-4	805-067C	8-16	807-097C	6-8
804-012C	7-8	804-029C	3-6	805-067C	8-18	807-101C	7-16
804-013C	12-18	804-030C	2-2	805-069C	7-16	807-106C	4-8
804-013C	12-20	804-030C	3-6	805-085C	4-2	807-106C	8-10
804-013C	5-2	804-031C	5-2	805-105C	3-2	807-106C	8-2
804-013C	5-4	804-031C	5-4	805-120C	3-2	807-106C	8-4
804-013C	5-6	804-031C	5-6	805-124C	3-4	807-106C	8-6
804-013C	5-8	804-031C	5-8	805-127C	4-10	807-106C	8-8
804-013C	7-10	804-036C	12-24	805-143C	4-10	807-116C	7-2
804-013C	7-12	804-036C	4-8	805-152C	3-4	807-116C	7-6
804-013C	7-16	804-037C	7-18	805-154C	8-10	807-128C	2-4
804-013C	7-22	804-037C	7-22	805-154C	8-2	807-172C	7-8
804-013C	7-4	804-039C	3-2	805-154C	8-4	807-184C	8-14
804-013C	9-4	804-040C	7-4	805-154C	8-6	807-188C	7-16
804-014C	7-8	804-040C	7-8	805-154C	8-8	808-006C	12-22
804-014C	8-12	804-041C	8-12	805-166C	8-16	808-147C	12-18
804-014C	8-14	804-041C	8-14	805-174C	4-2	808-147C	12-20
804-014C	8-16	804-041C	8-16	805-180C	10-2	808-259C	6-4
804-014C	8-18	804-041C	8-18	805-180C	6-10	808-259C	6-6
804-014C	8-20	804-041C	8-20	805-180C	6-2	808-302C	6-2
804-015C	12-14	804-041C	9-4	805-180C	6-2	808-302C	6-4
804-015C	12-18	804-055C	3-6	805-180C	6-4	808-302C	6-6
804-015C	12-20	804-055C	7-18	805-180C	6-6	808-303C	6-2
804-015C	12-8	804-061C	10-2	805-180C	6-8	808-304C	12-22
804-015C	2-2	804-061C	12-20	805-186C	8-10	808-305C	6-2
804-015C	4-10	804-061C	6-2	805-186C	8-2	808-306C	6-2
804-015C	4-4	804-061C	6-4	805-186C	8-4	808-306C	6-4
804-015C	6-2	804-071C	4-2	805-186C	8-6	808-309C	6-4
804-015C	6-4	804-075C	10-2	805-186C	8-8	808-312C	6-4
804-015C	6-6	804-075C	4-8	805-239C	3-4	808-314C	6-4
804-015C	7-18	804-075C	6-2	805-239C	3-6	808-314C	6-6
804-016C	12-18	804-078C	7-16	805-240C	6-2	808-315C	6-4
804-016C	12-18	804-080C	10-2	805-240C	6-4	808-319C	6-2
804-016C	12-20	804-113C	6-4	805-240C	6-6	808-319C	6-4
804-016C	4-4	804-113C	6-6	805-246C	3-6	808-320C	6-2
804-016C	4-6	804-156C	7-18	805-249C	3-4	808-332C	6-10
804-017C	12-22	804-165C	7-18	805-249C	3-6	808-332C	6-8
804-017C	2-2	804-195C	7-8	805-260C	12-14	808-341C	12-22
804-017C	2-4	805-045C	12-4	805-295C	8-14	809-038C	6-6
804-017C	6-4	805-058C	12-2	805-296C	7-8	810-118C	12-2
804-019C	12-16	805-010C	12-14	805-299C	7-4	810-119C	12-10
804-019C	6-2	805-016C	3-2	805-304C	8-12	810-158C	9-10
804-021C	2-4	805-017C	3-4	805-304C	8-18	810-160C	9-12
804-022C	12-16	805-017C	3-4	805-304C	8-20	810-014C	9-8
804-022C	6-2	805-017C	3-6	805-331C	7-18	810-084C	9-2
804-022C	7-18	805-017C	7-18	805-335C	7-4	810-118C	12-6
804-022C	7-2	805-020C	7-16	805-335C	7-8	810-118C	12-8
804-022C	7-6	805-021C	4-2	806-023C	12-2	810-197C	12-8
804-022C	7-8	805-022C	2-4	806-004C	12-18	810-218C	3-6
804-022C	8-10	805-023C	5-2	806-004C	12-20	810-218C	9-2
804-022C	8-12	805-023C	5-4	806-037C	12-16	810-287C	3-4
804-022C	8-14	805-023C	5-6	806-046C	12-14	810-287C	9-2
804-022C	8-16	805-023C	5-8	806-053C	7-2	810-445C	9-4
804-022C	8-18	805-024C	6-10	806-053C	7-6	810-446C	9-6
804-022C	8-18	805-024C	6-8	806-092C	12-8	810-475C	4-2
804-022C	8-2	805-026C	6-10	806-106C	7-18	810-475C	9-2
804-022C	8-20	805-026C	6-8	807-007C	9-4	811-014C	12-6
804-022C	8-4	805-027C	2-4	807-020C	9-4	811-014C	12-8
804-022C	8-6	805-032C	4-10	807-055C	6-2	811-035C	12-6
804-022C	8-8	805-063C	7-4	807-073C	2-2	811-035C	12-8

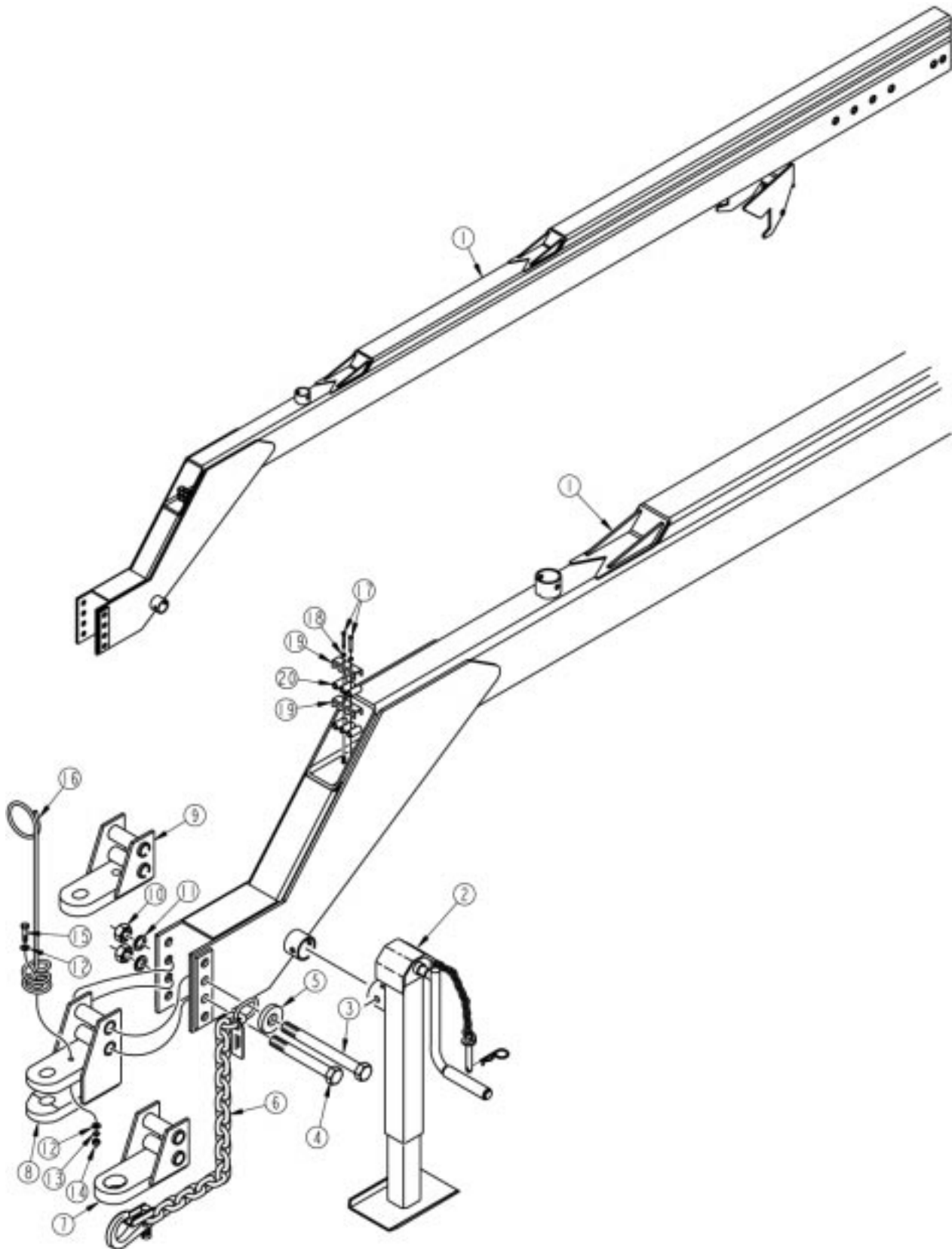
Part Number Index

<u>Part Number</u>	<u>Page</u>	<u>Part Number</u>	<u>Page</u>	<u>Part Number</u>	<u>Page</u>	<u>Part Number</u>	<u>Page</u>
811-063C	12-26	816-002C	5-8	817-328C	8-4	822-103C	5-8
811-063C	9-2	816-009C	7-18	817-328C	8-6	822-119C	12-24
811-078C	9-2	816-011C	3-6	817-328C	8-8	822-170C	8-10
811-088C	9-2	816-019C	3-2	817-330C	8-12	822-170C	8-12
811-091C	12-26	816-035C	3-2	817-330C	8-14	822-170C	8-14
811-127C	9-2	816-035C	3-6	817-330C	8-18	822-170C	8-16
811-169C	12-8	816-037C	7-2	817-330C	8-6	822-170C	8-18
811-192C	12-26	816-037C	7-6	817-330C	8-8	822-170C	8-2
811-281C	12-6	816-107C	6-4	817-347C	8-10	822-170C	8-20
811-281C	12-8	816-173C	7-16	817-347C	8-2	822-170C	8-4
811-347C	12-6	816-302C	7-4	817-347C	8-4	822-170C	8-6
811-367C	9-2	816-302C	7-8	817-347C	8-6	822-170C	8-8
811-393C	12-6	816-358C	12-18	817-347C	8-8	822-171C	10-2
811-564C	12-26	816-414C	7-8	817-349C	7-4	822-175C	12-22
811-580C	12-6	817-004C	5-2	817-349C	7-8	822-175C	6-2
811-580C	12-8	817-004C	5-4	817-350C	4-8	822-175C	6-4
811-659C	9-2	817-004C	5-6	817-406C	6-4	822-175C	6-6
811-661C	9-2	817-004C	5-8	817-406C	6-6	822-195C	12-22
811-662C	9-2	817-021C	9-4	817-456C	6-4	822-195C	6-2
811-670C	9-2	817-025C	12-18	817-456C	6-6	822-195C	6-4
811-784C	9-2	817-025C	12-20	817-476C	10-6	822-195C	6-6
811-785C	9-2	817-042C	4-6	817-513C	7-18	823-192C	10-2
812-302C	7-8	817-068C	5-2	817-516C	11-2	823-193C	10-2
812-309C	7-4	817-068C	5-4	817-516C	4-6	823-195C	10-4
812-309C	7-8	817-068C	5-6	817-530C	7-4	823-196C	10-4
814-008C	3-6	817-068C	5-8	817-530C	7-8	823-198C	10-4
814-034C	8-12	817-069C	5-2	818-003C	11-2	823-198C	10-6
814-034C	8-14	817-069C	5-4	818-019C	11-2	833-200C	12-24
814-034C	8-6	817-069C	5-6	818-020C	11-2	833-200C	12-28
814-081C	7-8	817-069C	5-8	818-043C	11-2	838-092C	11-2
814-082C	7-8	817-070C	5-2	818-045C	11-2	838-102C	11-2
814-083C	7-8	817-070C	5-4	818-078C	11-2	838-124C	11-2
814-085C	8-16	817-070C	5-6	818-188C	11-2	838-125C	11-2
814-104C	3-2	817-070C	5-8	818-257C	11-2	838-153C	11-2
814-134C	6-2	817-071C	5-2	818-258C	11-2	838-157C	11-2
814-157C	8-2	817-071C	5-4	818-339C	11-2	838-160C	11-2
814-158C	8-4	817-071C	5-6	818-398C	11-2	838-161C	11-2
814-159C	8-2	817-071C	5-8	818-475C	11-2	838-228C	11-2
814-160C	8-4	817-073C	5-2	818-557C	11-2	838-237C	11-2
814-174C	8-12	817-073C	5-4	818-587C	11-2	838-259C	11-2
814-174C	8-14	817-073C	5-6	818-590C	11-2	838-265C	11-2
814-174C	8-6	817-073C	5-8	818-682C	12-2	838-265C	11-2
814-177C	3-2	817-074C	5-2	818-748C	11-2	838-266C	11-2
814-178C	3-6	817-074C	5-4	818-855C	11-2	838-267C	11-2
814-192C	8-16	817-074C	5-6	820-094C	12-4	838-397C	11-2
814-194C	8-16	817-074C	5-8	820-018C	7-18	838-426C	11-2
814-206C	3-2	817-075C	5-2	820-082C	7-18	838-561C	11-2
814-207C	3-6	817-075C	5-4	820-114C	7-22	838-562C	11-2
814-208C	3-2	817-075C	5-6	820-116C	7-18	838-564C	11-2
814-209C	3-6	817-075C	5-8	820-156C	7-18	838-565C	11-2
814-210C	3-2	817-083C	7-8	820-256C	7-4	890-005C	12-2
814-210C	3-6	817-084C	7-2	820-256C	7-8	890-018C	12-2
814-238C	8-18	817-084C	7-6	822-030C	12-4	890-068C	12-4
814-238C	8-8	817-084C	8-10	822-080C	12-4	890-005C	3-2
814-244C	8-18	817-084C	8-2	822-018C	3-6	890-005C	3-6
814-244C	8-8	817-084C	8-4	822-019C	3-6	890-011C	3-6
815-001C	12-4	817-084C	8-6	822-020C	3-6	890-032C	3-2
815-077C	3-6	817-084C	8-8	822-020C	7-18	890-122C	3-2
815-079C	3-6	817-086C	4-8	822-021C	3-6	890-184C	2-2
815-082C	3-6	817-111C	6-10	822-021C	7-18	890-190C	5-2
815-085C	3-6	817-111C	6-8	822-032C	12-24	890-190C	5-4
815-099C	3-2	817-134C	7-16	822-036C	3-2	890-190C	5-6
815-102C	3-2	817-202C	4-8	822-037C	3-2	890-190C	5-8
815-103C	3-2	817-273C	6-4	822-038C	3-2	890-221C	4-8
816-014C	12-4	817-296C	8-2	822-039C	3-2	890-305C	4-8
816-002C	5-2	817-297C	8-4	822-103C	5-2	890-311C	4-4
816-002C	5-4	817-328C	8-10	822-103C	5-4	890-312C	12-18
816-002C	5-6	817-328C	8-2	822-103C	5-6	890-312C	4-4

Part Number Index

<u>Part Number</u>	<u>Page</u>	<u>Part Number</u>	<u>Page</u>	<u>Part Number</u>	<u>Page</u>	<u>Part Number</u>	<u>Page</u>
890-313C 4-4						
890-350C 5-2						
890-350C 5-4						
890-350C 5-6						
890-350C 5-8						
890-351C 12-14						
890-357C 7-12						
890-390C 4-4						
890-466C 7-4						
890-466C 7-8						
890-524C 8-12						
890-524C 8-14						
890-524C 8-16						
890-524C 8-18						
890-524C 8-20						
890-598C 8-12						
890-598C 8-14						
890-598C 8-16						
890-598C 8-18						
890-598C 8-20						
890-610C 2-2						
890-666C 4-2						
890-725C 4-2						
890-726C 6-2						
900TUBEBL 7-10						
990-109R 7-20						
AD21010 7-4						
AD21011 7-4						
AD21012 7-4						
AD21013 7-4						
AD21014 7-4						
VER-18360 12-28						
VER-18375 12-26						
VER-18375 12-28						
VER-18382 12-26						
VER-18382 12-28						
VER-18548 12-26						
VER-18574 12-26						
VER-18666 12-26						
VER-19516 12-28						
VER-19518 12-26						
VER-19519 12-26						
VER-19554 12-26						
VER-19579 12-28						
VER-19622 12-26						
VER-19623 12-26						
VER-19676 12-28						
VER-19678 12-26						
VER-19678 12-28						
VER-19729 12-28						
VER-19798 12-26						
VER-19799 12-26						
VER-19800 12-26						
VER-19856 12-26						
VER-20317 12-22						
VER-20317 12-26						
VER-21476 12-28						
VER-21567 12-28						
VER-21568 12-26						
VER-5209 12-26						
VER-5732 12-26						

Hitch To Tongue



20019

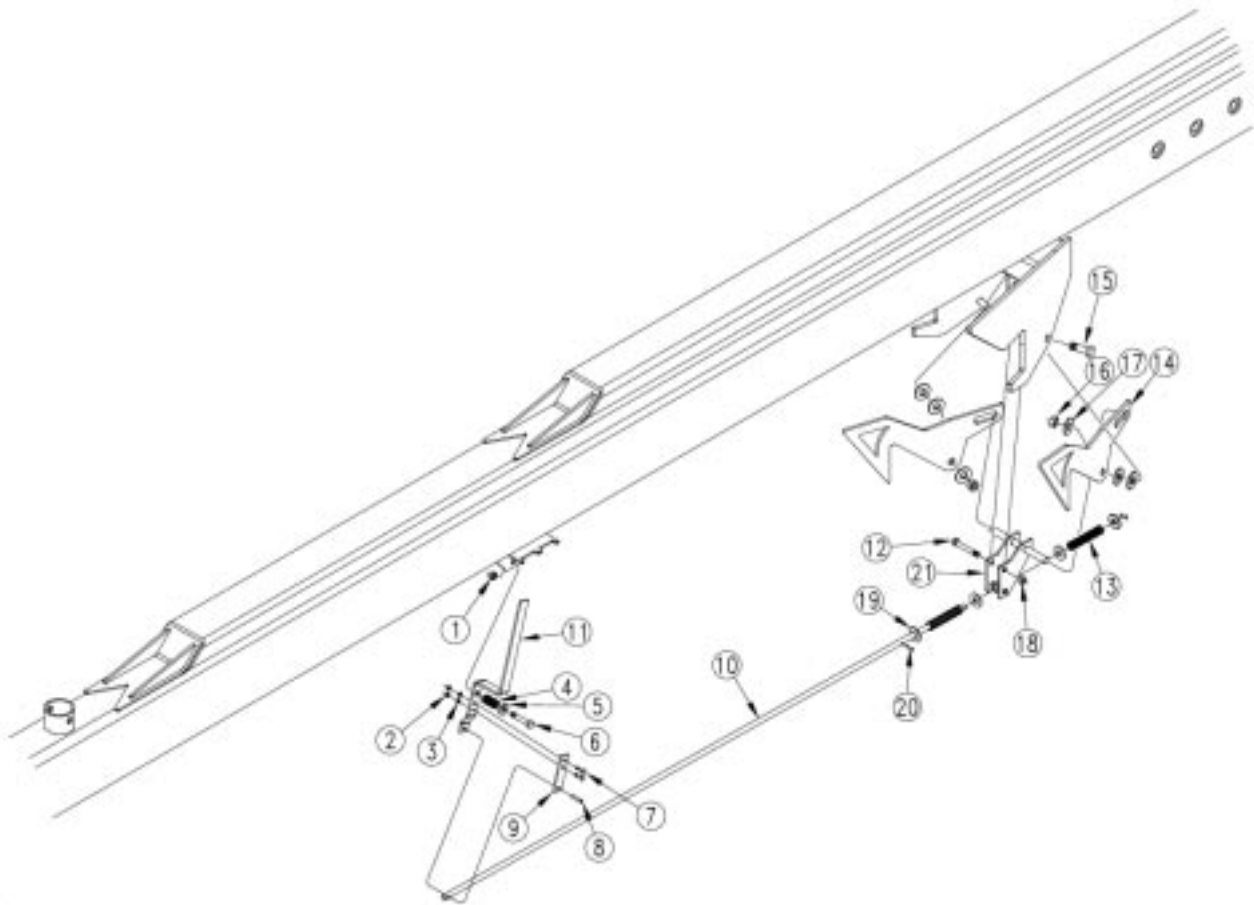
Hitch To Tongue

2

Ref.	Part No.	Part Description	Comments
1.	196-217H	PSS 30NT TONGUE WLDMNT	
2.	890-610C	SQ TB JACK 10000 LB 10 STROKE	
3.	802-317C	HHCS 1 1/4-7X11 GR5 SPTH	
4.	802-166C	HHCS 1 1/4-7X9 1/2 GR5 SPTH	
5.	194-070D	SAFETY CHAIN WASHER	
6.	890-184C	SAFETY CHAIN 30000 LB	
7.	170-033H	SINGLE HITCH STRAP-LARGE	
8.	196-136H	CLEVIS HITCH WELDMNT	
9.	170-034H	SINGLE HITCH STRAP-SMALL	
10.	803-034C	NUT HEX 1 1/4-7 PLT	
11.	804-030C	WASHER LOCK 1 1/4 SPRING PLT	
12.	804-017C	WASHER FLAT 1/2 USS PLT	
13.	804-015C	WASHER LOCK SPRING 1/2 PLT	
14.	803-020C	NUT HEX 1/2-13 PLT	
15.	802-039C	HHCS 1/2-13X3 GR5	
16.	807-073C	SPRING HOSE LOOP HEAVY	
17.	802-138C	HHCS 5/16-18X2 1/4 GR5	
18.	804-009C	WASHER LOCK SPRING 5/16 PLT	
19.	196-112D	HOSE CLAMP BRACKET	
20.	113-370D	1/4 MARKER HYD HOSE GUARD	

Legend: ● = 1st revision; ● = 2nd revision; ● = 3rd revision; ● = use up existing stock; ⊗ = not interchangeable; ⊗ ① ● = for example: revision 2 is not interchangeable w/revision 1

Transport Latch



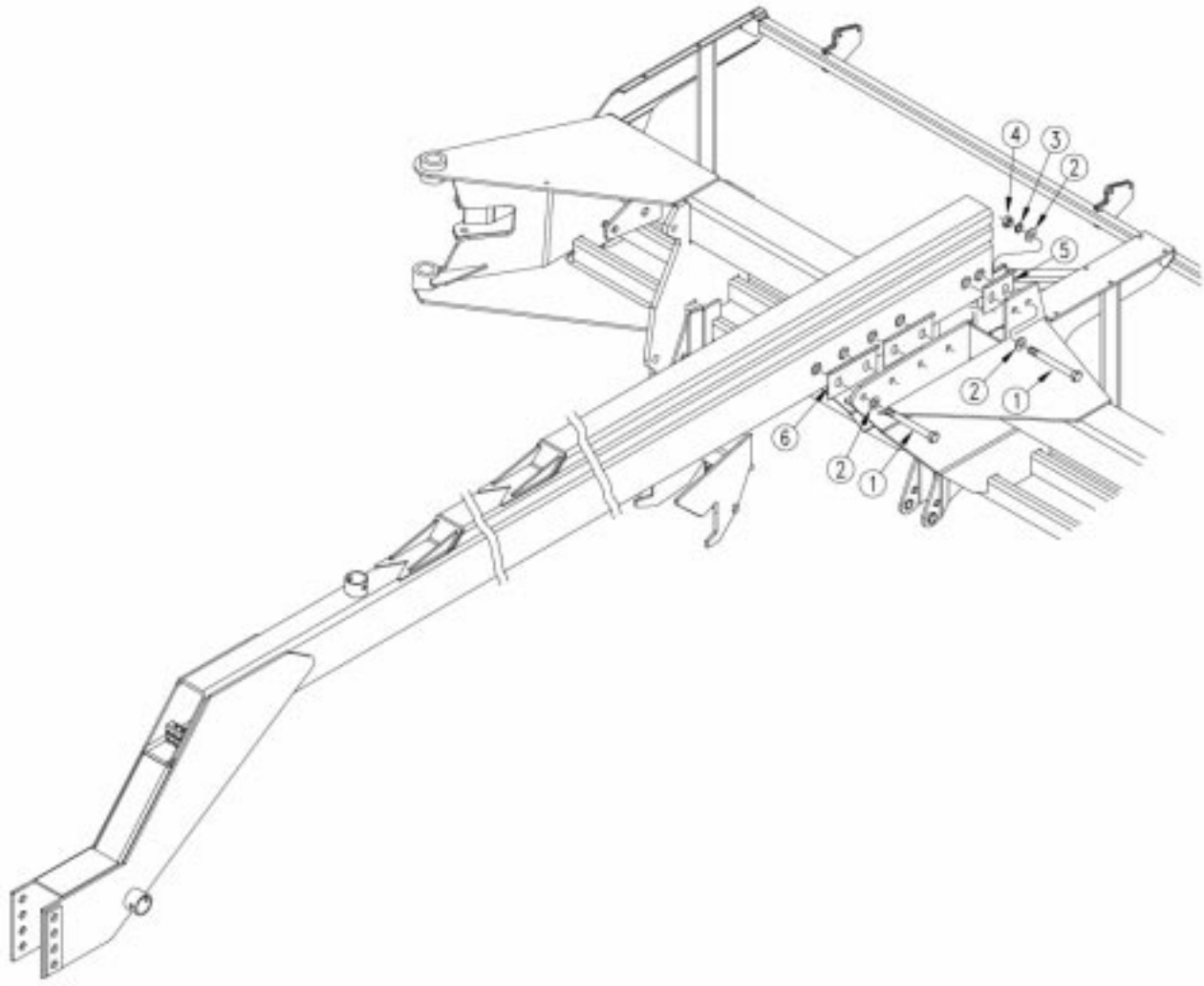


Transport Latch

Ref.	Part No.	Part Description	Comments
1.	803-147C	NUT HEX NYLOCK 1/2-13	
2.	803-006C	NUT HEX 1/4-20 PLT	
3.	804-006C	WASHER LOCK SPRING 1/4 PLT	
4.	807-078C	SPRING DIE 1OD X 1/2ID X 1 3/4	
5.	804-017C	WASHER FLAT 1/2 USS PLT	
6.	802-226C	HHCS 1/2-13X2 3/4 GR5	
7.	802-005C	HHCS 1/4-20X1 GR5	
8.	805-027C	PIN ROLL 5/16 X 1 1/2 PLT	
9.	196-461D	LATCH ROD SUPPORT BAR	
10.	196-464D	LATCH RELEASE EXTENSION ROD	
11.	196-463D	LATCH RELEASE HANDLE	
12.	802-041C	HHCS 1/2-13X3 1/2 GR5	
13.	807-128C	SPRING COMP .906OD X 9 X .105W	
14.	196-462D	TRANSPORT LATCH	
15.	802-065C	HHCS 3/4-10X2 1/4 GR5	
16.	803-025C	NUT HEX 3/4-10 PLT NYLOCK	
17.	804-024C	WASHER FLAT 3/4 USS PLT	
18.	803-019C	NUT LOCK 1/2-13 PLT	
19.	804-021C	WASHER FLAT 5/8 SAE PLT	
20.	805-022C	PIN ROLL 3/16 X 1 PLT	
21.	196-219H	LATCH RELEASE BRACKET	

Legend: ● = 1st revision; ● = 2nd revision; ● = 3rd revision; ● = use up existing stock; ⊗ = not interchangeable; ⊗ ① ● = for example: revision 2 is not interchangeable w/revision 1

Tongue To Center Frame



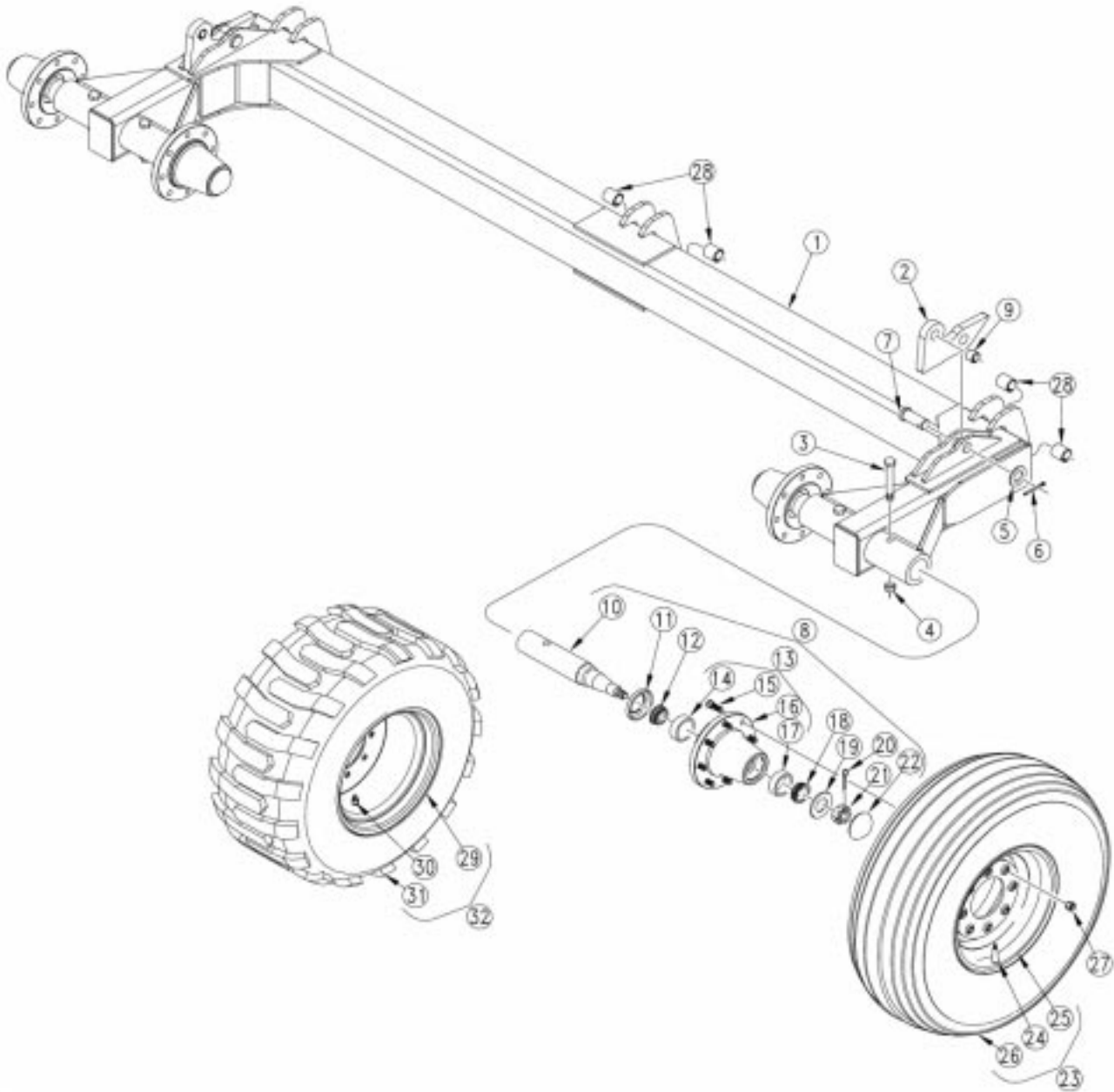
Tongue To Center Frame

Ref.	Part No.	Part Description	Comments
1.	802-429C	HHCS 1-8X10 GR5 PLT	
2.	804-028C	WASHER FLAT 1 USS PLT	
3.	804-027C	WASHER LOCK SPRING 1 PLT	
4.	803-031C	NUT HEX 1-8 PLT	
5.	196-604D	SHIM, TONGUE-FRAME SHORT	
6.	196-603D	SHIM, TONGUE-FRAME LONG	



Legend: ● = 1st revision; ● = 2nd revision; ● = 3rd revision; ● = use up existing stock; ⊗ = not interchangeable; ⊗ ① ● = for example: revision 2 is not interchangeable w/revision 1

Rockshaft



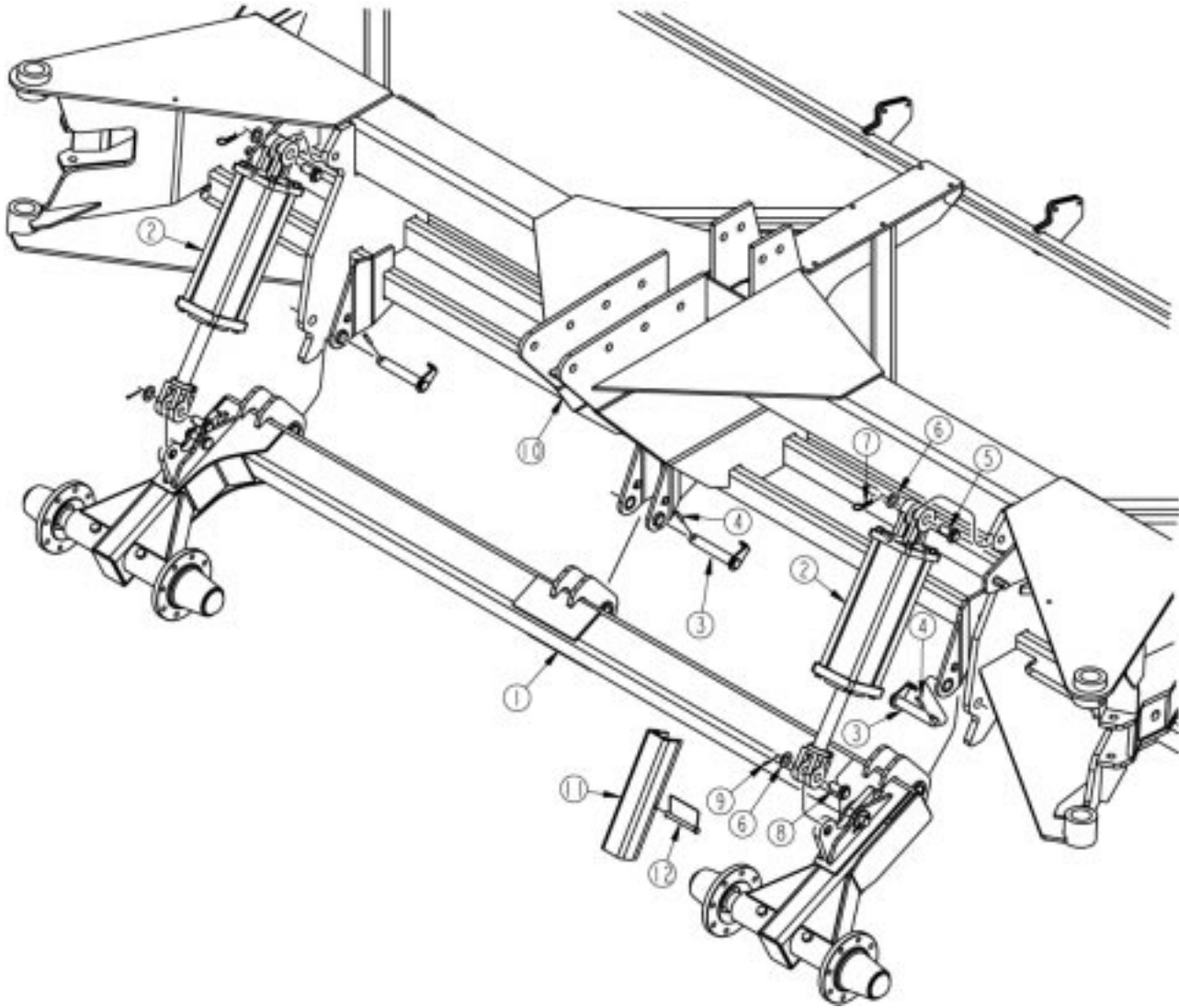
Rockshaft

3

Ref.	Part No.	Part Description	Comments
1.	196-216H	30NT ROCKSHAFT WELDMENT	
2.	196-534D	ROCKSHAFT LIFT CYLINDER LUG	
3.	802-069C	HHCS 3/4-10X5 GR5	
4.	803-025C	NUT HEX 3/4-10 PLT NYLOCK	
5.	804-039C	WASHER FLAT 1 1/4 SAE PLT	
6.	805-105C	PIN COTTER 1/4 X 2 1/2 PLT	
7.	805-120C	PIN CLEVIS 1 1/4 X 3	
8.	815-103C	HUB & SPINDLE ASY 8 BOLT 5790#	
9.	890-005C	BUSHING CYL 1 1/4 X 1 X 1	
10.	815-099C	SPINDLE SGL 2.73X15.97	
11.	816-019C	8-BOLT HUB SEAL	
12.	822-036C	BEARING CONE #3780	
13.	815-102C	HUB ASSY 8 BOLT 5790# PAINTED	
14.	822-037C	BEARING CUP #3720	
15.	802-182C	HUB STUD 5/8-18X2 3/8 GR5	
16.	200-006D	8-BOLT WHEEL HUB MACH.	
17.	822-039C	BEARING CUP #2720	
18.	822-038C	BEARING CONE #2790	
19.	181-064D	7/8 SPINDLE WASHER, HARDENED	
20.	805-016C	PIN COTTER 3/16 X 1 1/4 PLT	
21.	803-029C	NUT HEX SLOTTED 7/8-14 PLT	
22.	890-032C	HUB CAP	
23.	196-208K	TITAN 12L-15 20 PLY 8 BOLT	
24.	816-035C	VALVE STEM TR415X.625X1 1/4 LG	
25.	814-104C	WHEEL 15 x 10 x 8 BOLT	
26.	814-177C	TIRE TITAN 12.5L-15 20 PLY	
27.	803-219C	NUT LUG 5/8-18 X 90 DEG PLT	
28.	890-122C	BUSHING 1 1/2 X 1 1/4 X 1 1/2	
29.	814-208C	RIM 16.5X12, 8 BLT 6 PILT 8 BC	Option
30.	814-210C	VALVE STEM METAL TR-575 TUBLES	Option
31.	814-206C	TIRE SKID ST 395/55B16.5 NHS	Option
32.	196-272K	RH TIRE/RIM 395/55B16.5 SKID 8	Option
	196-273K	LH TIRE/RIM 395/55B16.5 SKID 8	Option

Legend: ● = 1st revision; ● = 2nd revision; ● = 3rd revision; ● = use up existing stock; ⊗ = not interchangeable; ⊗ ① ● = for example: revision 2 is not interchangeable w/revision 1

Rockshaft To Frame



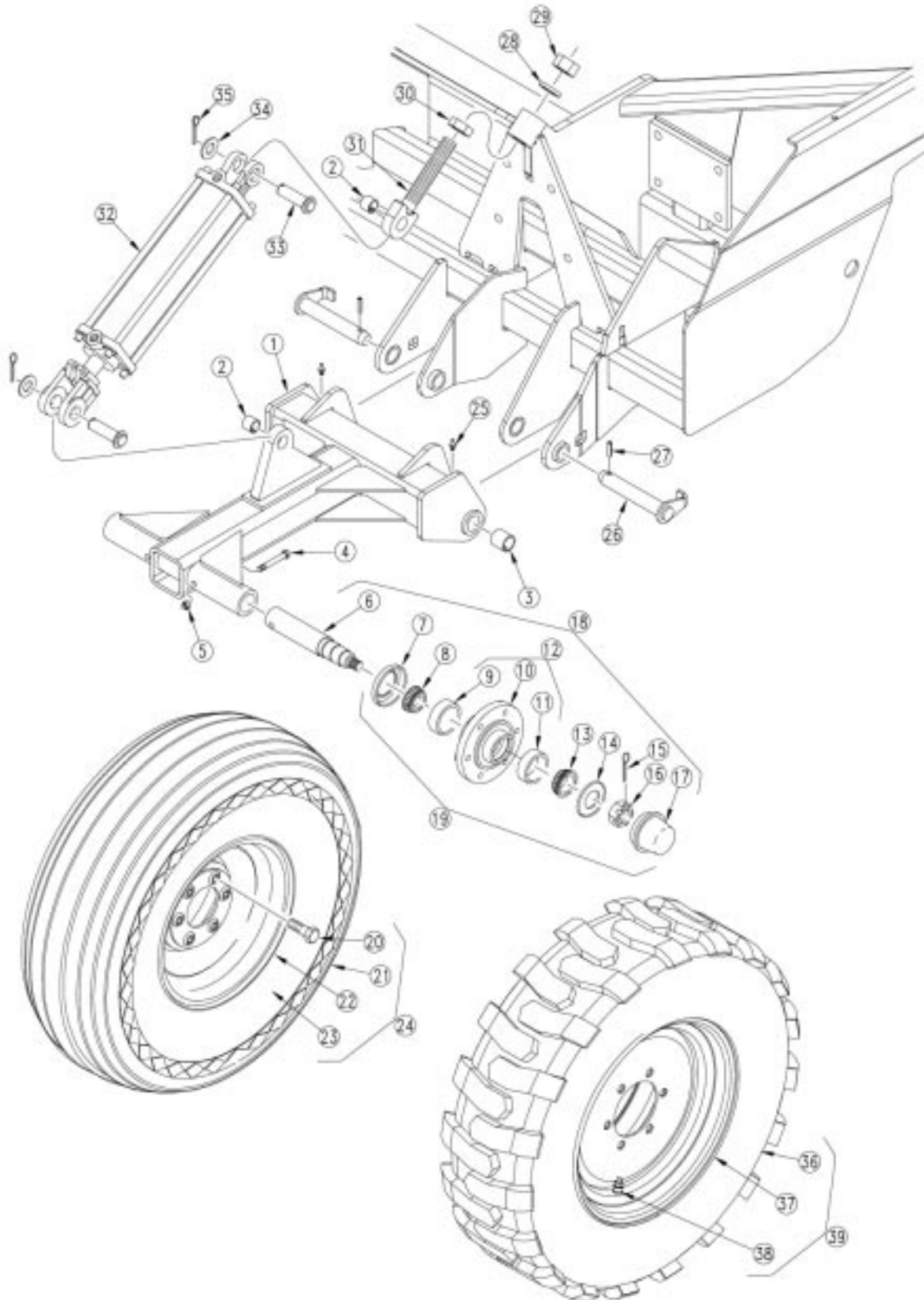
Rockshaft To Frame

Ref.	Part No.	Part Description	Comments
1.	196-224K	PSS 30NT ROCKSHAFT AXLE ASSY	
2.	810-287C	CYL REP 4.75 X 12 X 1.50 ROD	
3.	160-201H	WING PIVOT PIN WELDMENT	
4.	805-249C	PIN ROLL 3/8 X 2 PLT	
5.	805-124C	PIN CLEVIS 1 X 3 11/16 GR5 PLT	
6.	804-029C	WASHER FLAT 1 SAE	
7.	805-017C	PIN COTTER 3/16 X 1 3/4 PLT	
8.	805-239C	PIN CLEVIS 1 X 3 5/16 HRD PLT	
9.	805-017C	PIN COTTER 3/16 X 1 3/4 PLT	
10.	196-221H	PSS 30NT CENTER FRAME WLDMT	
11.	196-177H	CYLINDER LOCK CHANNEL-1 1/2X12	
12.	805-152C	BENT PIN 3/8 X 2 1/2 USE W/COT	

3

Legend: ● = 1st revision; ● = 2nd revision; ● = 3rd revision; ● = use up existing stock; ⊗ = not interchangeable; ⊗ ① ● = for example: revision 2 is not interchangeable w/revision 1

Gauge Wheels

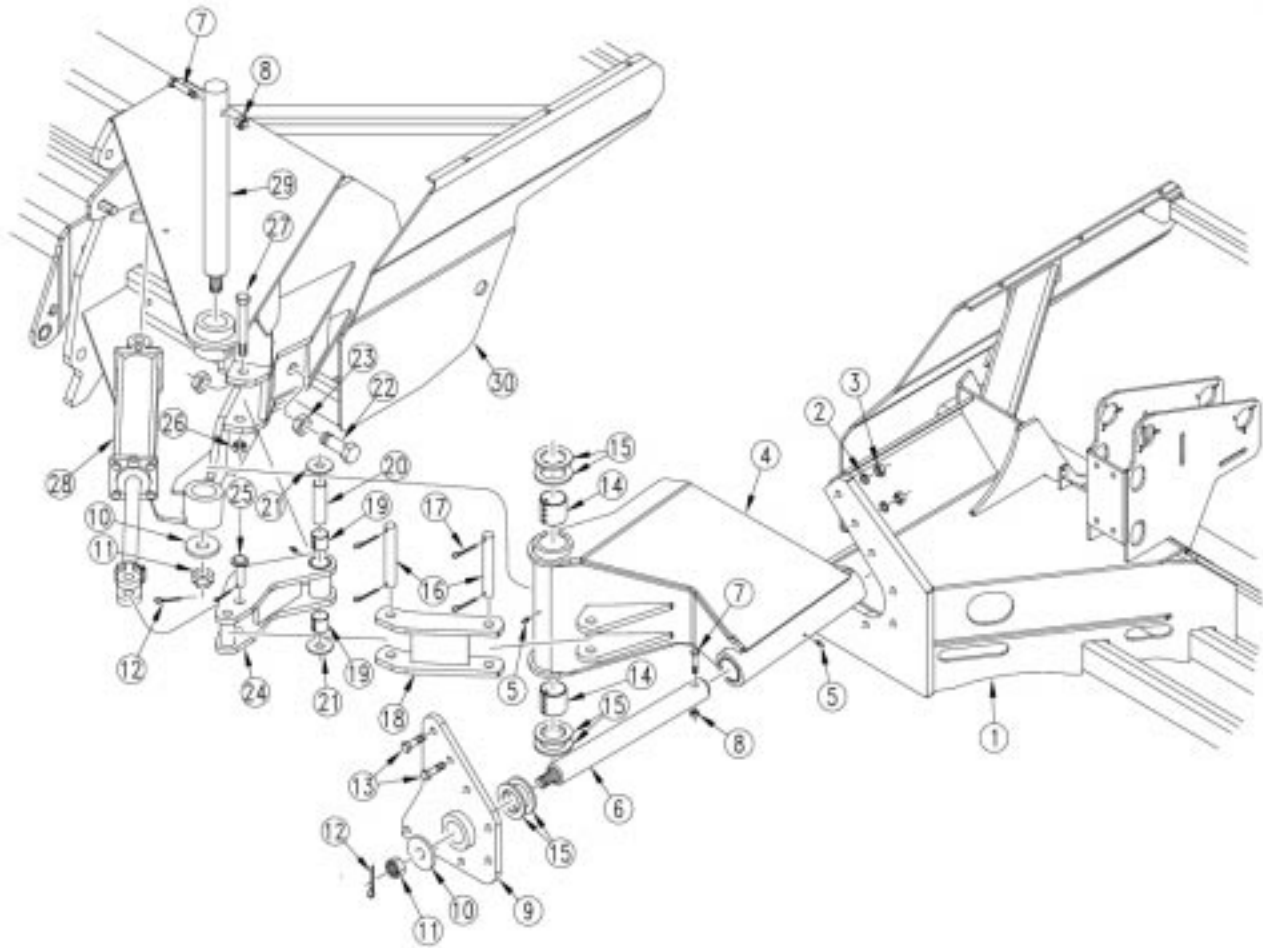


Gauge Wheels

Ref.	Part No.	Part Description	Comments
1.	196-215H	PSS 30NT GWL ARM WLDMNT	
2.	890-005C	BUSHING CYL 1 1/4 X 1 X 1	
3.	890-011C	BUSHING SPINDLE 1 1/2X1 1/4X1	
4.	802-099C	HHCS 1/2-13X3 1/4 GR5	
5.	803-019C	NUT LOCK 1/2-13 PLT	
6.	815-085C	SPINDLE SGL 1.75X10.72	
7.	816-011C	SEAL 2.56X1.625X.438 CR16289	
8.	822-018C	BEARING CONE LM-29749	
9.	822-019C	BEARING CUP LM-29710	
10.	200-003D	H5-A WHEEL HUB MACH 6-BOLT	
11.	822-020C	BEARING CUP LM-67010	
12.	815-082C	HUB 6 BOLT 4 5/8 PILOT W/ CUPS	
13.	822-021C	BEARING CONE LM-67048	
14.	804-055C	WASHER SPINDLE - 7/8	
15.	805-246C	PIN COTTER 5/32 X 1 3/4 LG	
16.	803-029C	NUT HEX SLOTTED 7/8-14 PLT	
17.	200-001D	HUB GREASE CAP	
18.	815-079C	HUB AND SPINDLE ASSY 6 BOLT	
19.	815-077C	HUB 6 BOLT 4 5/8 PILOT 3600 LB	
20.	802-104C	BOLT WHEEL 1/2-20X1 90-DEG	
21.	814-178C	TIRE TITAN 11L-15 X 8 PLY	
22.	814-008C	WHEEL 8 X 15 X 6 BOLT	
23.	816-035C	VALVE STEM TR415X.625X1 1/4 LG	
24.	197-148K	TITAN TIRE 11L-15 8 PLY 6 BLT	
25.	800-001C	GREASE ZERK STRAIGHT 1/4-28	
26.	160-201H	WING PIVOT PIN WELDMENT	
27.	805-249C	PIN ROLL 3/8 X 2 PLT	
28.	804-030C	WASHER LOCK 1 1/4 SPRING PLT	
29.	803-034C	NUT HEX 1 1/4-7 PLT	
30.	803-032C	NUT HEX JAM 1 1/4-7 PLT	
31.	161-107H	NTA35 WING EYEBOLT WELDMENT	
32.	810-218C	CYL REP 4.5X12X1.5 ROD (TIE)	
33.	805-239C	PIN CLEVIS 1 X 3 5/16 HRD PLT	
34.	804-029C	WASHER FLAT 1 SAE	
35.	805-017C	PIN COTTER 3/16 X 1 3/4 PLT	
36.	814-207C	TIRE SKID ST 265/70B16.5 NHS	Option
37.	814-209C	RIM 16.5X8.25, 6 BLT 4.63 PILT	Option
38.	814-210C	VALVE STEM METAL TR-575 TUBLES	Option
39.	196-274K	RH TIRE/RIM 265/70B16.5 SKID 6	Option
	196-275K	LH TIRE/RIM 265/70B16.5 SKID 6	Option

Legend: ● = 1st revision; ● = 2nd revision; ● = 3rd revision; ● = use up existing stock; ⊗ = not interchangeable; ⊗ ① ● = for example: revision 2 is not interchangeable w/revision 1

Wing To Center



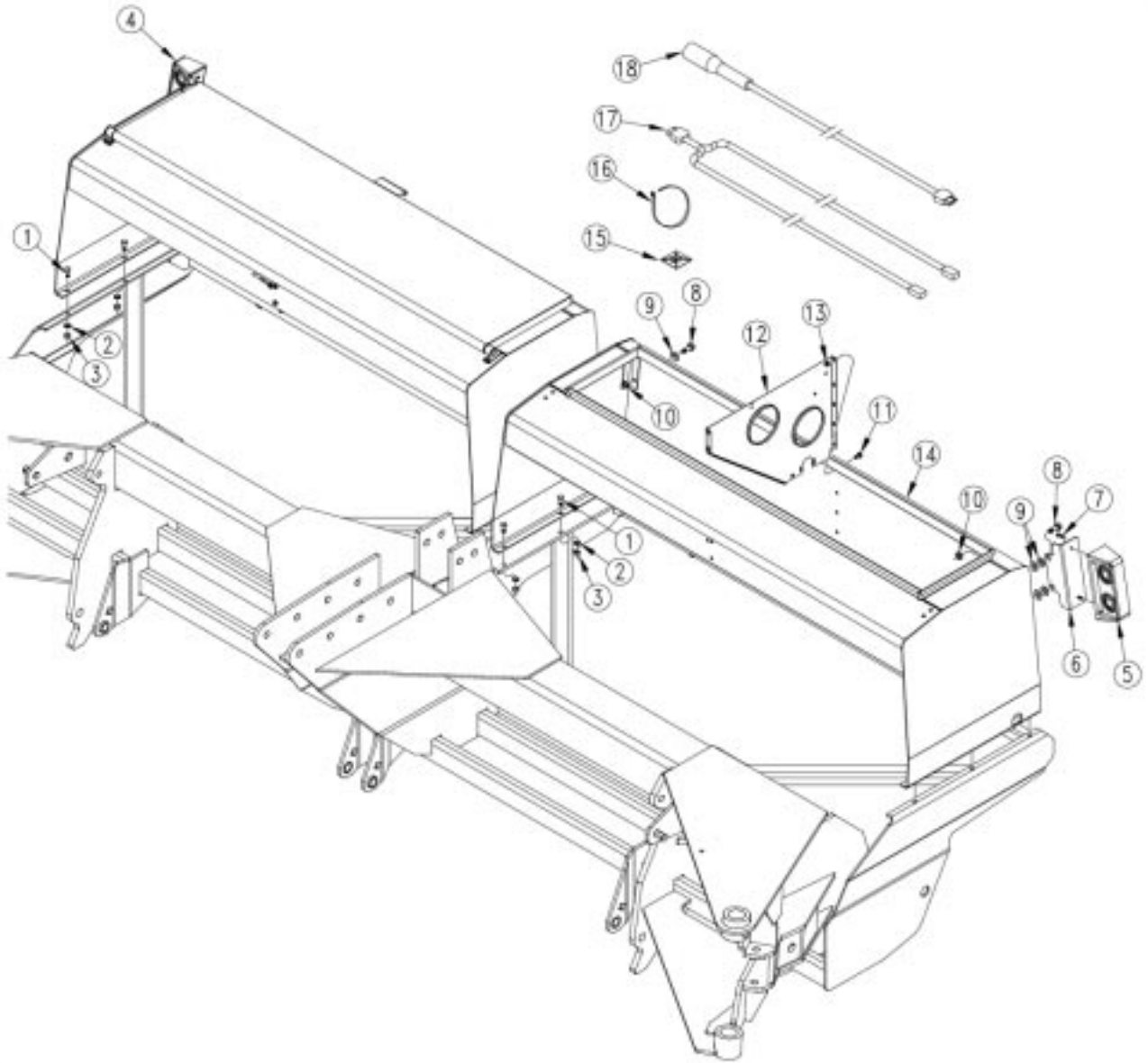
Wing To Center

Ref.	Part No.	Part Description	Comments
1.	196-222H	PSS 30NT LH WING FRAME WLDMT	Shown.
	196-223H	PSS 30NT RH WING FRAME WLDMT	
2.	804-023C	WASHER LOCK SPRING 3/4 PLT	
3.	803-027C	NUT HEX 3/4-10 PLT	
4.	196-225H	PSS 30NT LH TOOLBAR WLDMT	Shown.
	196-226H	PSS 30NT RH TOOLBAR WLDMT	
5.	800-001C	GREASE ZERK STRAIGHT 1/4-28	
6.	196-546D	TOOLBAR HORZ PIVOT PIN	
7.	802-594C	HHCS 3/4-10X5 1/2 GR5	
8.	803-026C	NUT LOCK 3/4-10 PLT	
9.	196-247H	PIVOT PIN SUPPORT CAP WELDMENT	
10.	197-001D	BOX HINGE PIVOT WASHER	
11.	803-079C	NUT HEX SLOTTED 1 1/4 - 7	
12.	805-085C	PIN COTTER 5/16 X 2 1/2	
13.	802-086C	HHCS 3/4-10X2 3/4 GR5	
14.	890-725C	BUSHING 3 X 2 1/2 X 2 CONNEX	
15.	196-573D	WASHER HARD 4 X 2.56 X .25	
16.	402-130D	CYL PIN	
17.	805-021C	PIN COTTER 1/4 X 2 PLT	
18.	196-230H	OUTER FOLD LINK WELDMENT	
19.	890-666C	BUSHING 1 7/8X1 5/8X1 1/2 SPLT	
20.	196-571D	INNER SPACER TUBE	
21.	804-071C	WASHER FLAT 1 1/2 SAE PLT	
22.	802-426C	HHCS 1 1/4-7X3 1/2 GR5	
23.	803-032C	NUT HEX JAM 1 1/4-7 PLT	
24.	196-231H	INNER FOLD LUG WELDMENT	
25.	805-174C	PIN CLEVIS 1 X 4 11/16 GR 5	
26.	803-038C	NUT HEX 1-8 NYLON INSERT PLT	
27.	802-293C	HHCS 1-8X8 1/2 GR5	
28.	810-475C	CYL 4X16X2 ROD (TIE ROD)	
29.	196-572D	VERTICAL PIVOT PIN	
30.	196-221H	PSS 30NT CENTER FRAME WLDMT	

4

Legend: ● = 1st revision; ● = 2nd revision; ● = 3rd revision; ● = use up existing stock; ⊗ = not interchangeable; ⊗ ① ● = for example: revision 2 is not interchangeable w/revision 1

Box To Center Frame

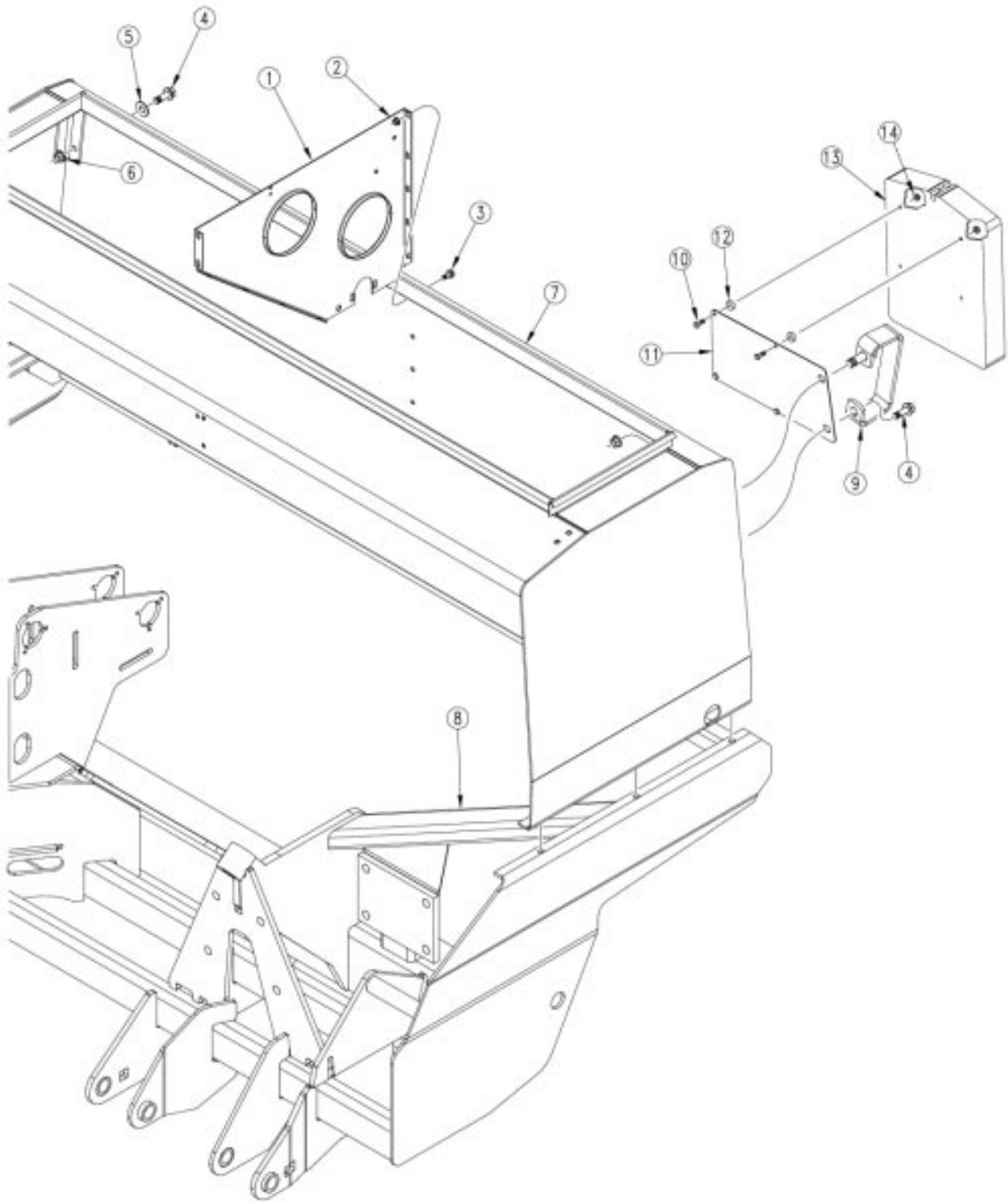


Box To Center Frame

Ref.	Part No.	Part Description	Comments
1.	802-034C	HHCS 1/2-13X1 1/4 GR5	
2.	804-015C	WASHER LOCK SPRING 1/2 PLT	
3.	803-020C	NUT HEX 1/2-13 PLT	
4.	890-312C	DUAL AG LIGHTS RH	
5.	890-311C	DUAL AG LIGHTS LH	
6.	150-138D	12' EWNT LIGHT BRACKET	
7.	801-151C	SCR HEX SELF TAP 1/4-20X1TYPEF	
8.	802-203C	HFSS 1/2-13X1 1/2 GR5	
9.	804-016C	WASHER FLAT 1/2 SAE PLT	
10.	803-169C	NUT HEX FLG. LOCK 1/2-13 PLT.	
11.	802-387C	HFS 5/16-18X3/4 GR5	
12.	118-402D	SEED BOX PARTITION	
13.	803-199C	NUT HEX FLANGE 5/16-18 PLT	
14.	197-154H	30 FT PSS NT BOX WLDMT	
15.	800-148C	CABLE TIE MOUNT	
16.	800-112C	CABLE TIE .19X7.25 1.75D 50LB	
17.	890-390C	LIGHT HARNESS, 10' WISHBONE	
18.	890-313C	AG LIGHT WIRING HARNESS-28'	

Legend: ● = 1st revision; ● = 2nd revision; ● = 3rd revision; ● = use up existing stock; ⊗ = not interchangeable; ⊗ ① ● = for example: revision 2 is not interchangeable w/revision 1

Box To Wing Frames

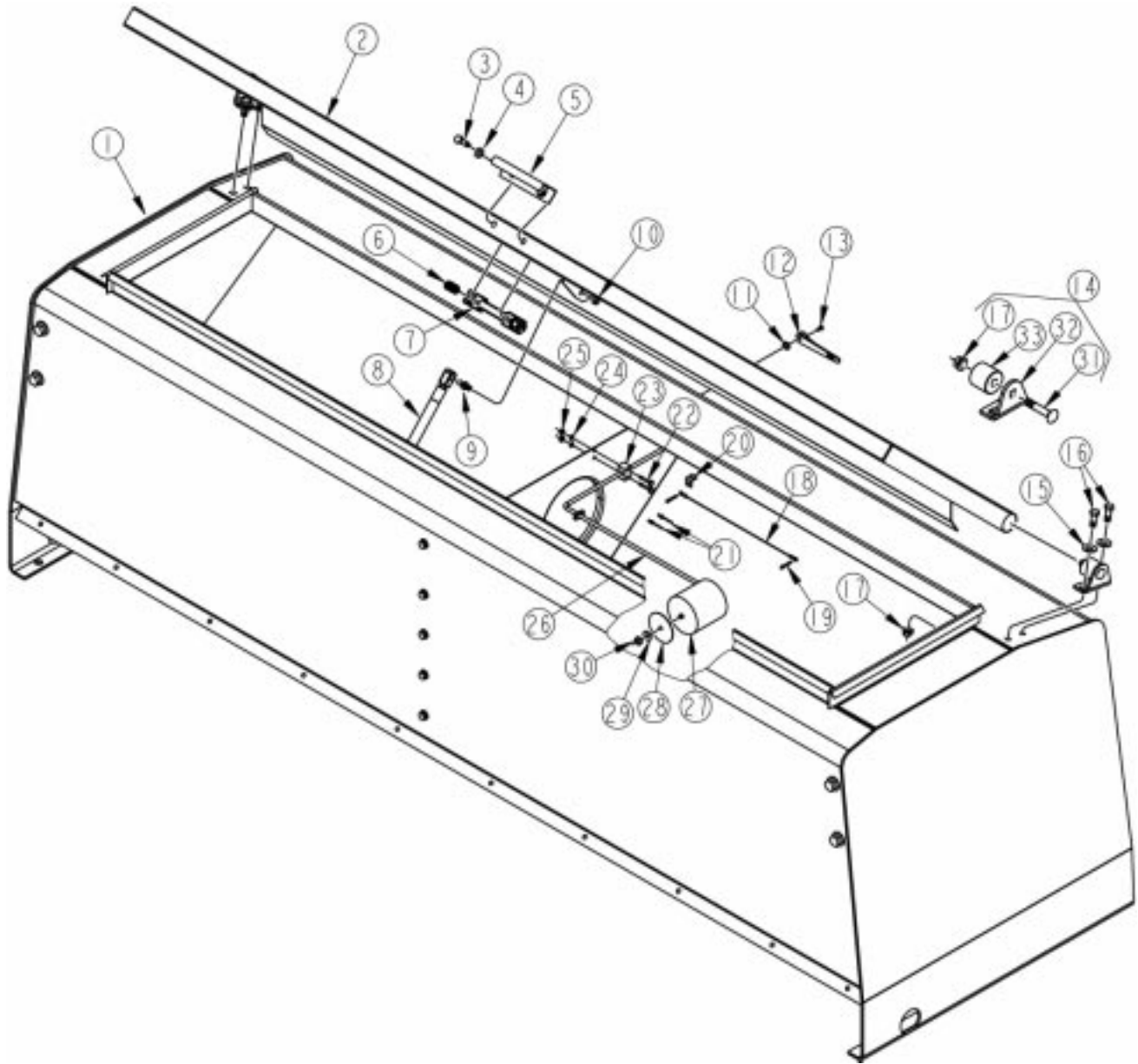


21505

Box To Wing Frames

Ref.	Part No.	Part Description	Comments
1.	118-402D	SEED BOX PARTITION	
2.	803-199C	NUT HEX FLANGE 5/16-18 PLT	
3.	802-387C	HFS 5/16-18X3/4 GR5	
4.	802-203C	HFSS 1/2-13X1 1/2 GR5	
5.	804-016C	WASHER FLAT 1/2 SAE PLT	
6.	803-169C	NUT HEX FLG. LOCK 1/2-13 PLT.	
7.	197-154H	30 FT PSS NT BOX WLDMT	
8.	196-222H	PSS 30NT LH WING FRAME WLDMT	
	196-223H	PSS 30NT RH WING FRAME WLDMT	
9.	119-190D	HANDLE	
10.	802-004C	HHCS 1/4-20X3/4 GR5	
11.	248-251D	MANUAL PAK MOUNTING PLATE	
12.	817-042C	MINI END WHEEL PRESS WHEEL	
13.	817-516C	MANUAL PAK 1" W/ GASKET	
14.	803-293C	NUT HEX FLANGE LOCK 1/4-20 PLT	

Box Components

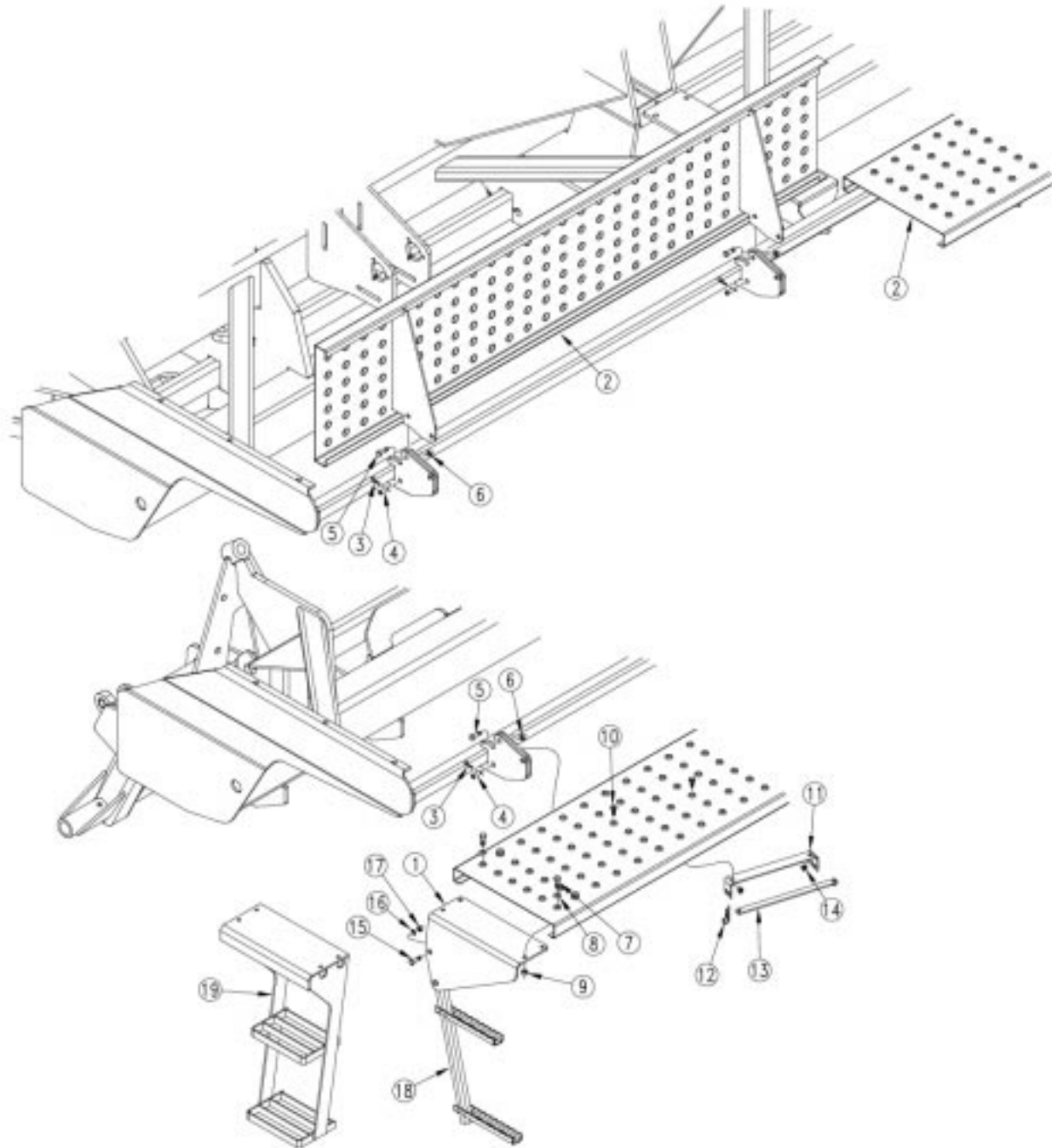


Box Components

Ref.	Part No.	Part Description	Comments
1.	197-154H	30 FT PSS NT BOX WLDMT	
2.	119-230H	LID 76 7/8 SEED	
3.	802-425C	HHCS 5/16-18X1 1/4 NYL	
4.	804-036C	WASHER FLAT 5/16 SAE PLT	
5.	119-154D	LID HANDLE	
6.	807-106C	SPRING .540 O.D.X 1 1/4 X.054W	
7.	119-153D	LATCH CASTING MACHINED	
8.	890-221C	12-20 x 90 LB GAS SPRING	
9.	800-121C	BALL STUD 10MM X 5/16-18 UNC	
10.	803-011C	NUT LOCK 5/16-18 PLT	
11.	817-086C	SEED LEVEL BUSHING	
12.	817-350C	SEED LEVEL INDICATOR	
13.	801-154C	SCR HEX HD SHT MET #8 X 1/2	
14.	175-180S	13' EW LID HINGE ASSEMBLY	
15.	804-011C	WASHER FLAT 3/8 USS PLT	
16.	802-017C	HHCS 3/8-16X1 GR5	
17.	803-209C	NUT FLANGE LOCK 3/8-16 PLT	
18.	890-305C	CABLE 3/64 X 11 5/8 W/ EYELETS	
19.	805-067C	PIN COTTER 1/8 X 3/4	
20.	197-091D	SEED LEVEL CHAIN BRACKET	
21.	800-101C	RIVET POP 1/8 .125 AD42BSLF	
22.	801-096C	HFS 10-24 X 1 1/8 PLTD	
23.	817-202C	SEED LEVEL ARM MOUNT	
24.	804-004C	WASHER INTERNAL STAR #10 PLT	
25.	803-001C	NUT HEX 10-24 PLT	
26.	118-474H	SEED LEVEL ARM, 6 3/4R. TAB	
27.	197-089D	FOAM FLOAT	
28.	197-096D	FOAM FLOAT WASHER	
29.	804-075C	WASHER FLAT 1/4 USS PLT	
30.	803-003C	NUT HEX SS 1/4-20 NYLOCK	
31.	802-411C	RHSNB 3/8-16X2 GR5	
32.	313-176D	LID HINGE BASE PLATE	
33.	313-186D	LID HINGE PIVOT	

Legend: ● = 1st revision; ● = 2nd revision; ● = 3rd revision; ● = use up existing stock; ⊗ = not interchangeable; ⊗ ① ● = for example: revision 2 is not interchangeable w/revision 1

Walkboards And Steps

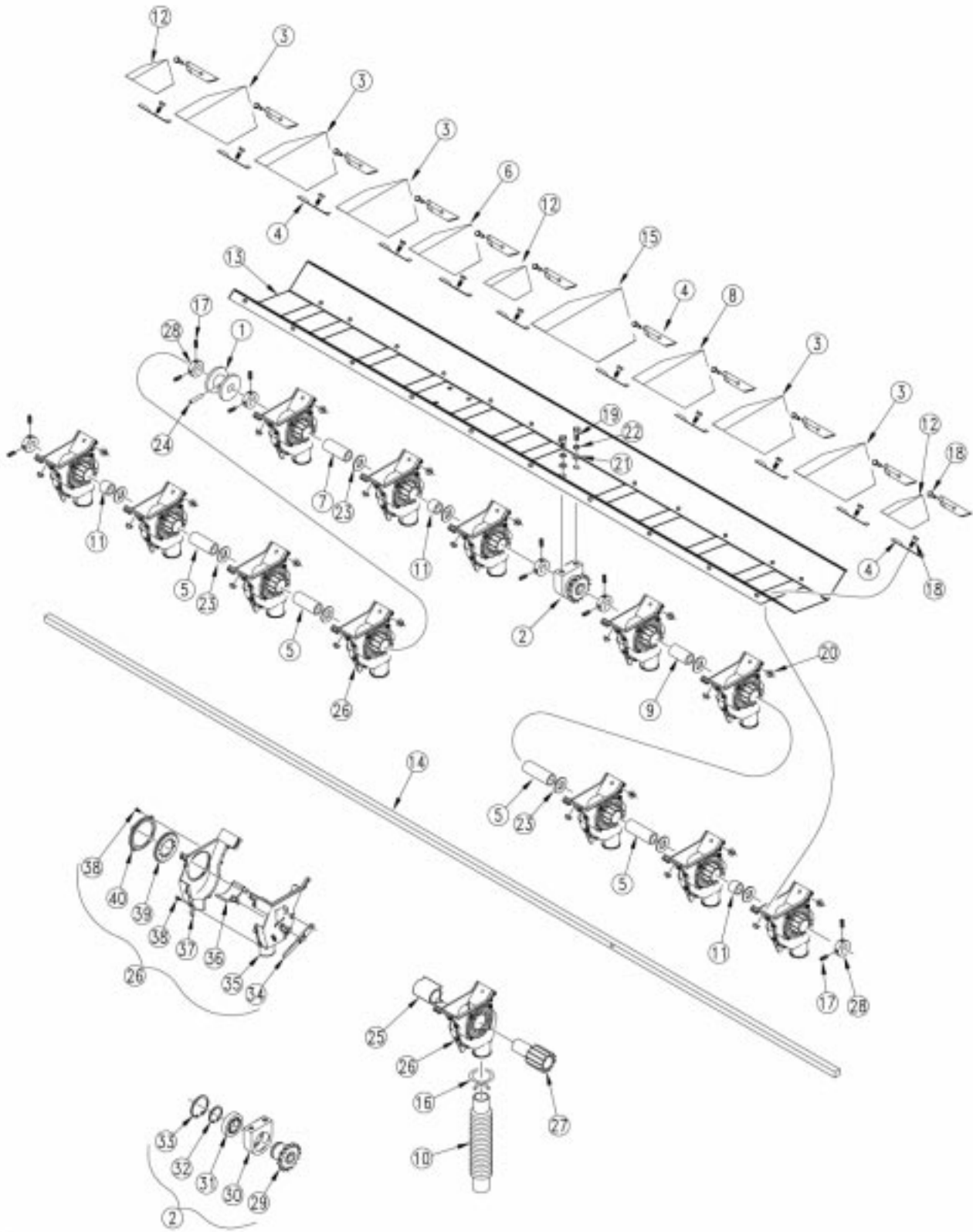


Walkboards And Steps

Ref.	Part No.	Part Description	Comments
1.	196-595D	LADDER MOUNT LH	Shown.
	196-596D	LADDER MOUNT RH	
2.	196-227H	WALKBOARD WING PSS 30	
3.	805-143C	PIN HAIR COTTER .120 PLT	
4.	805-127C	PIN CLEVIS 1/2 X 1 3/4	
5.	802-034C	HHCS 1/2-13X1 1/4 GR5	
6.	803-019C	NUT LOCK 1/2-13 PLT	
7.	802-079C	HHCS 3/8-16X1 1/4 GR5	
8.	804-012C	WASHER FLAT 3/8 SAE PLT	
9.	803-078C	NUT LOCK 3/8-16 NYLON INSERT	
10.	802-388C	HFS 3/8-16X1 GR5	
11.	119-211D	OPENER HANDLE HOLDER	
12.	805-032C	PIN HAIR COTTER .148 WIRE	
13.	198-810H	SPRING ADJ HANDLE WELDMENT	
14.	803-209C	NUT FLANGE LOCK 3/8-16 PLT	
15.	802-038C	HHCS 1/2-13X2 1/4 GR5	
16.	804-015C	WASHER LOCK SPRING 1/2 PLT	
17.	803-020C	NUT HEX 1/2-13 PLT	
18.	151-026H	STEP WELDMENT	

Legend: ● = 1st revision; ● = 2nd revision; ● = 3rd revision; ● = use up existing stock; ⊗ = not interchangeable; ⊗ ① ● = for example: revision 2 is not interchangeable w/revision 1

Feeder Cup Tray (7.5" LH)

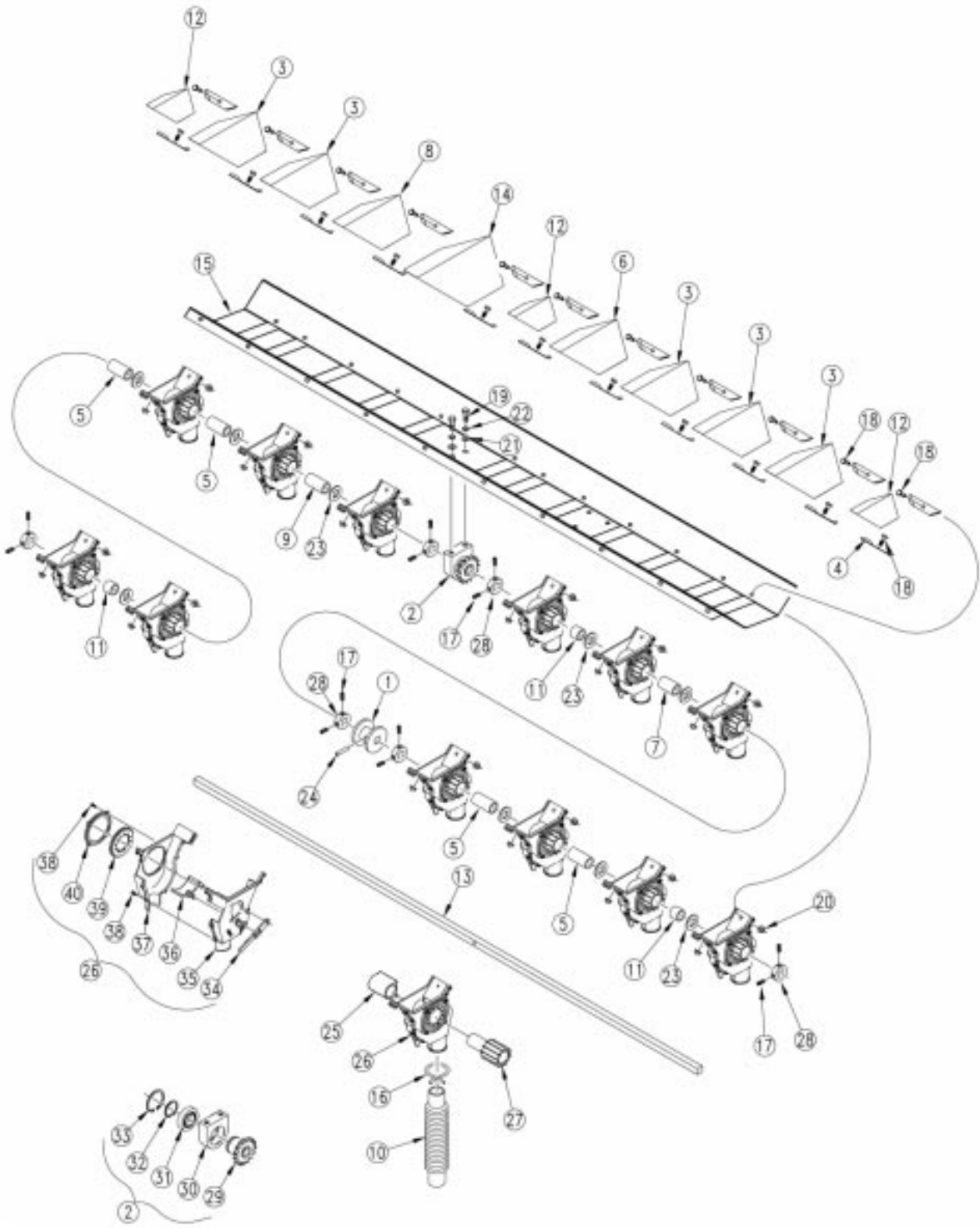


Feeder Cup Tray (7.5" LH)

Ref.	Part No.	Part Description	Comments
1.	109-091D	MACHINED ADJUSTMENT SPOOL	
2.	118-226S	FEEDER CUP BEARING ASSEMBLY	
3.	118-340D	5 5/8 BOX DVDR FOR 7 1/2 ROW	
4.	118-341D	2SNT SEED BOX DIVIDER CLIP	
5.	118-346D	SPACER TUBE X 4.078	
6.	118-370D	4 5/8 BOX DVDR FOR 8 ROW	
7.	118-376D	SPACER TUBE X 3.078	
8.	118-437D	BOX DVDR 5.13 X 60DEG	
9.	118-438D	SPACER TUBE X 3.579	
10.	816-002C	RUBBER GRAIN TUBE	
11.	118-443D	SPACER TUBE X 1.207	
12.	118-616D	BOX DVDR FOR 4.63 ROW	
13.	118-639D	3N-30 7.5 LH FEEDER CUP TRAY	
14.	118-640D	3N-30 FD CUP DRIVE BAR	
15.	118-641D	BOX DVDR 9.81 X 40 DEG	
16.	800-009C	CLAMP HOSE 1 5/8 NO. 26	
17.	801-035C	SCREW SET 5/16-18 SKT KP X 3/8	
18.	802-004C	HHCS 1/4-20X3/4 GR5	
19.	802-014C	HHCS 3/8-16X3/4 GR5	
20.	803-194C	NUT HEX WHIZ 1/4-20 PLT	
21.	804-012C	WASHER FLAT 3/8 SAE PLT	
22.	804-013C	WASHER LOCK SPRING 3/8 PLT	
23.	804-031C	WASHER RETAINING	
24.	805-023C	PIN ROLL 3/16X1 1/4 PLT	
25.	817-074C	SEED CUP SLEEVE	
26.	817-075C	SEED CUP ASSEMBLY	
27.	890-190C	PM SEED CUP SPROCKET	
28.	890-350C	5/8 SHAFT LOCKING COLLAR	
29.	118-508D	BEARING HUB 40A15	
30.	118-336D	FEEDER CUP BEARING HOUSING	
31.	822-103C	BRG 30MM B X 55MM OD	
32.	800-004C	SNAP RING EXT BASIC 1.880	
33.	800-107C	SNAP RING INT 2.165	
34.	817-071C	SEED CUP ADJUSTMENT HANDLE	
35.	817-069C	SEED CUP RIGHT HALF	
36.	817-070C	SEED CUP DOOR	
37.	817-068C	SEED CUP LEFT HALF	
38.	801-057C	SCR SELF TAP 8X3/8 TYPE25 BT	
39.	817-004C	NYLON WASHER-SPLIT	
40.	817-073C	SEED CUP WASHER RETAINER	

Legend: ● = 1st revision; ● = 2nd revision; ● = 3rd revision; ● = use up existing stock; ⊗ = not interchangeable; ⊗ ① ● = for example: revision 2 is not interchangeable w/revision 1

Feeder Cup Tray (7.5" RH)



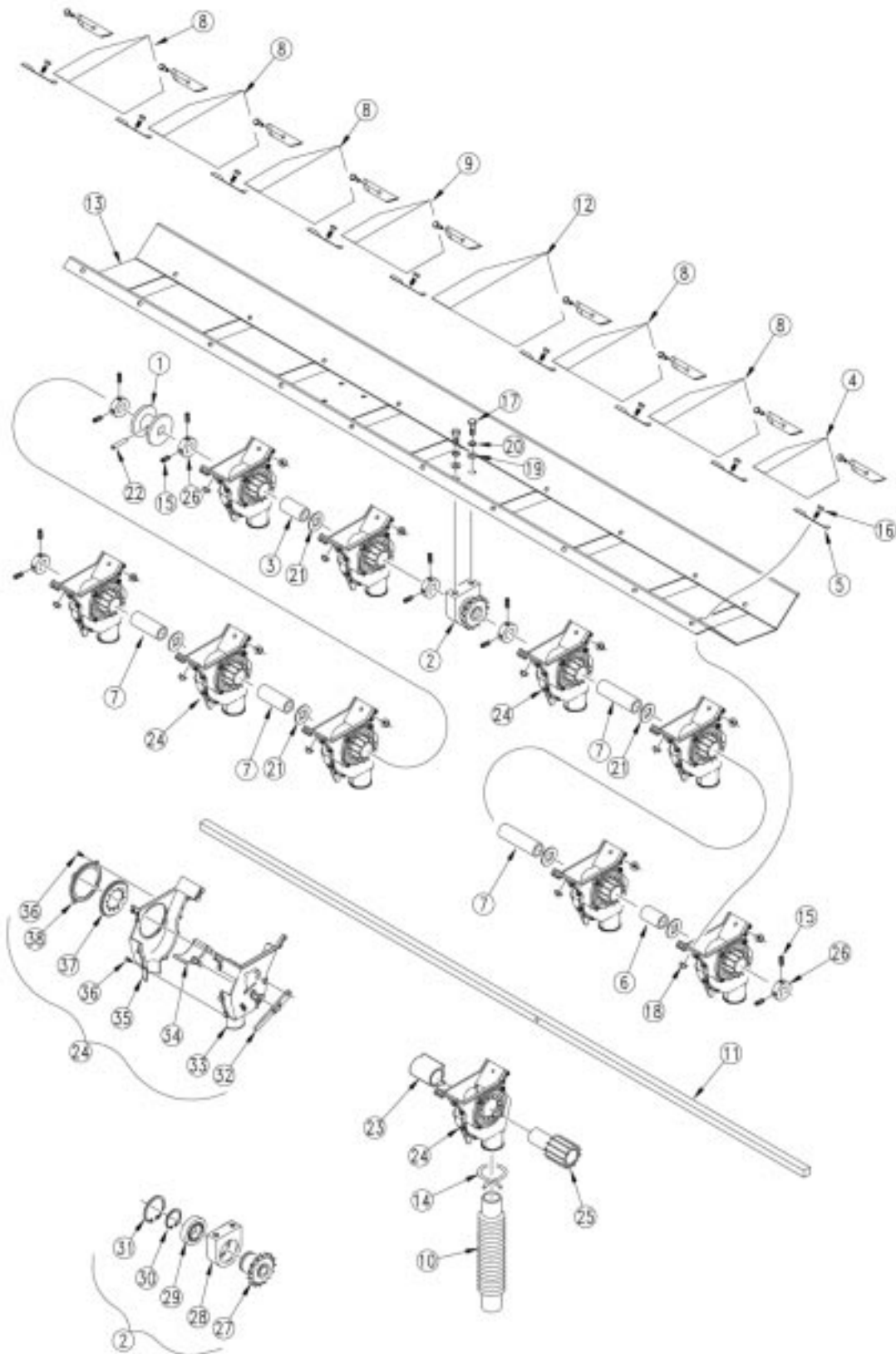
Feeder Cup Tray (7.5" RH)

Ref.	Part No.	Part Description	Comments
1.	109-091D	MACHINED ADJUSTMENT SPOOL	
2.	118-226S	FEEDER CUP BEARING ASSEMBLY	
3.	118-340D	5 5/8 BOX DVDR FOR 7 1/2 ROW	
4.	118-341D	2SNT SEED BOX DIVIDER CLIP	
5.	118-346D	SPACER TUBE X 4.078	
6.	118-370D	4 5/8 BOX DVDR FOR 8 ROW	
7.	118-376D	SPACER TUBE X 3.078	
8.	118-437D	BOX DVDR 5.13 X 60DEG	
9.	118-438D	SPACER TUBE X 3.579	
10.	816-002C	RUBBER GRAIN TUBE	
11.	118-443D	SPACER TUBE X 1.207	
12.	118-616D	BOX DVDR FOR 4.63 ROW	
13.	118-640D	3N-30 FD CUP DRIVE BAR	
14.	118-641D	BOX DVDR 9.81 X 40 DEG	
15.	118-643D	3N-30 7.5 RH FEEDER CUP TRAY	
16.	800-009C	CLAMP HOSE 1 5/8 NO. 26	
17.	801-035C	SCREW SET 5/16-18 SKT KP X 3/8	
18.	802-004C	HHCS 1/4-20X3/4 GR5	
19.	802-014C	HHCS 3/8-16X3/4 GR5	
20.	803-194C	NUT HEX WHIZ 1/4-20 PLT	
21.	804-012C	WASHER FLAT 3/8 SAE PLT	
22.	804-013C	WASHER LOCK SPRING 3/8 PLT	
23.	804-031C	WASHER RETAINING	
24.	805-023C	PIN ROLL 3/16X1 1/4 PLT	
25.	817-074C	SEED CUP SLEEVE	
26.	817-075C	SEED CUP ASSEMBLY	
27.	890-190C	PM SEED CUP SPROCKET	
28.	890-350C	5/8 SHAFT LOCKING COLLAR	
29.	118-508D	BEARING HUB 40A15	
30.	118-336D	FEEDER CUP BEARING HOUSING	
31.	822-103C	BRG 30MM B X 55MM OD	
32.	800-004C	SNAP RING EXT BASIC 1.880	
33.	800-107C	SNAP RING INT 2.165	
34.	817-071C	SEED CUP ADJUSTMENT HANDLE	
35.	817-069C	SEED CUP RIGHT HALF	
36.	817-070C	SEED CUP DOOR	
37.	817-068C	SEED CUP LEFT HALF	
38.	801-057C	SCR SELF TAP 8X3/8 TYPE25 BT	
39.	817-004C	NYLON WASHER-SPLIT	
40.	817-073C	SEED CUP WASHER RETAINER	

5

Legend: ● = 1st revision; ● = 2nd revision; ● = 3rd revision; ● = use up existing stock; ⊗ = not interchangeable; ⊗ ① ● = for example: revision 2 is not interchangeable w/revision 1

Feeder Cup Tray (10" LH)

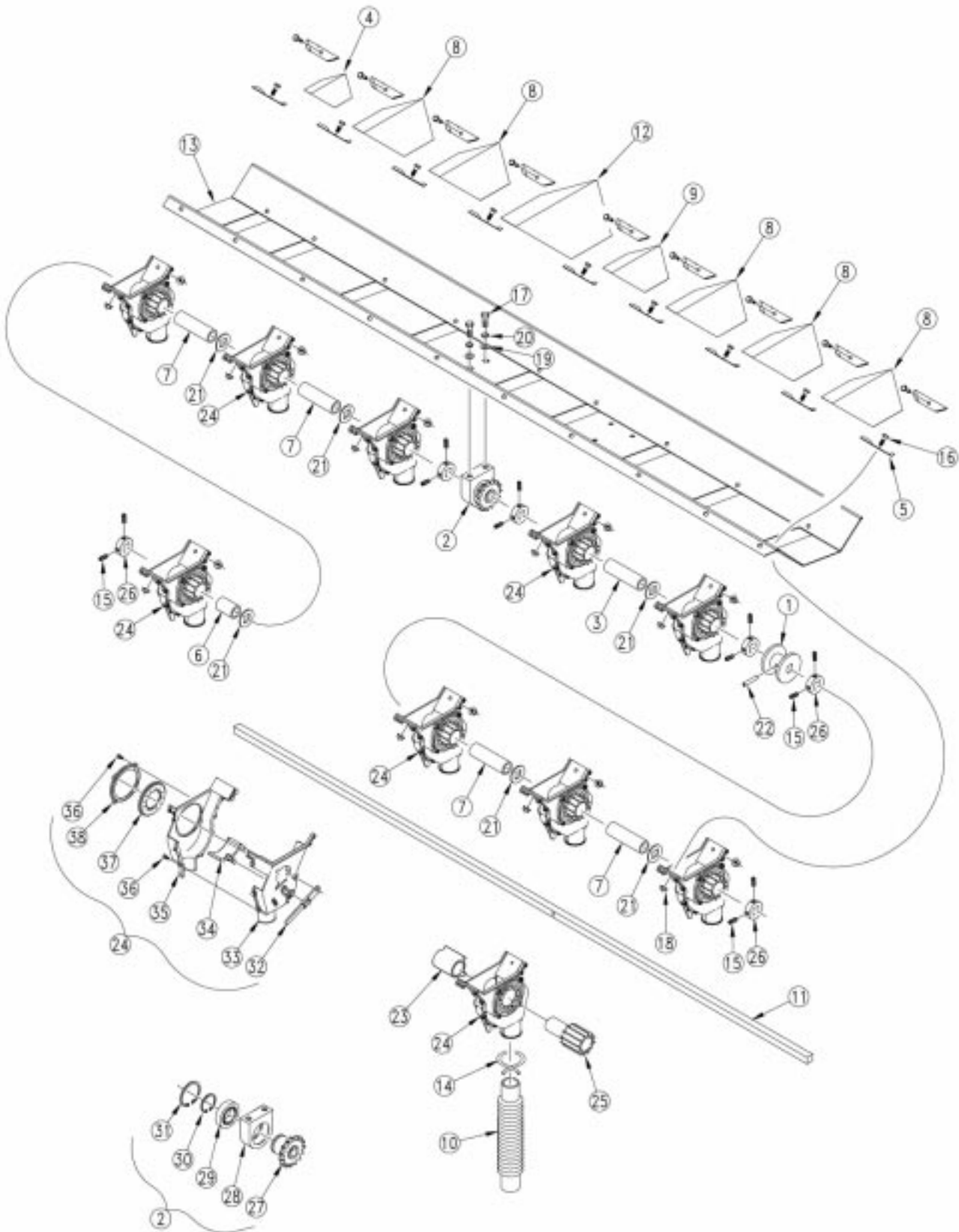


Feeder Cup Tray (10" LH)

Ref.	Part No.	Part Description	Comments
1.	109-091D	MACHINED ADJUSTMENT SPOOL	
2.	118-226S	FEEDER CUP BEARING ASSEMBLY	
3.	118-315D	SPACER TUBE X 4.539	
4.	118-339D	4 13/16 BOX DVDR FOR 7 1/2 ROW	
5.	118-341D	2SNT SEED BOX DIVIDER CLIP	
6.	118-347D	SPACER TUBE X 3.266	
7.	118-353D	SPACER TUBE X 6.578	
8.	118-356D	BOX DIVIDER FOR 10 ROW	
9.	118-372D	BOX DVDR 6.13 X 60DEG	
10.	816-002C	RUBBER GRAIN TUBE	
11.	118-640D	3N-30 FD CUP DRIVE BAR	
12.	118-641D	BOX DVDR 9.81 X 40 DEG	
13.	118-644D	3N-30 10 LH FEEDER CUP TRAY	
14.	800-009C	CLAMP HOSE 1 5/8 NO. 26	
15.	801-035C	SCREW SET 5/16-18 SKT KP X 3/8	
16.	802-009C	RHSNB 5/16-18X1 1/4 GR5	
17.	802-014C	HHCS 3/8-16X3/4 GR5	
18.	803-194C	NUT HEX WHIZ 1/4-20 PLT	
19.	804-012C	WASHER FLAT 3/8 SAE PLT	
20.	804-013C	WASHER LOCK SPRING 3/8 PLT	
21.	804-031C	WASHER RETAINING	
22.	805-023C	PIN ROLL 3/16X1 1/4 PLT	
23.	817-074C	SEED CUP SLEEVE	
24.	817-075C	SEED CUP ASSEMBLY	
25.	890-190C	PM SEED CUP SPROCKET	
26.	890-350C	5/8 SHAFT LOCKING COLLAR	
27.	118-508D	BEARING HUB 40A15	
28.	118-336D	FEEDER CUP BEARING HOUSING	
29.	822-103C	BRG 30MM B X 55MM OD	
30.	800-004C	SNAP RING EXT BASIC 1.880	
31.	800-107C	SNAP RING INT 2.165	
32.	817-071C	SEED CUP ADJUSTMENT HANDLE	
33.	817-069C	SEED CUP RIGHT HALF	
34.	817-070C	SEED CUP DOOR	
35.	817-068C	SEED CUP LEFT HALF	
36.	801-057C	SCR SELF TAP 8X3/8 TYPE25 BT	
37.	817-004C	NYLON WASHER-SPLIT	
38.	817-073C	SEED CUP WASHER RETAINER	

Legend: ● = 1st revision; ● = 2nd revision; ● = 3rd revision; ● = use up existing stock; ⊗ = not interchangeable; ⊗ ① ● = for example: revision 2 is not interchangeable w/revision 1

Feeder Cup Tray (10" RH)

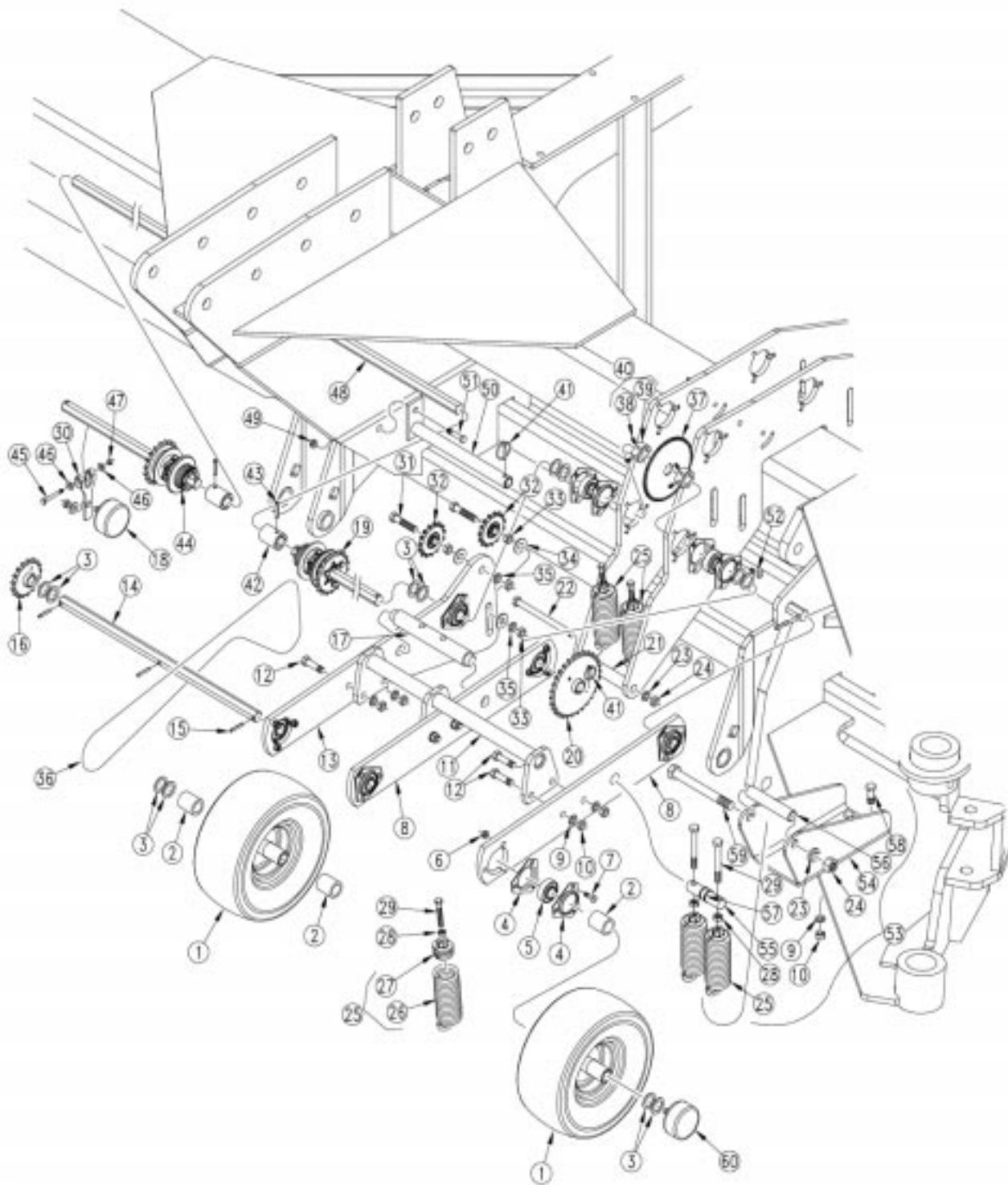


Feeder Cup Tray (10" RH)

Ref.	Part No.	Part Description	Comments
1.	109-091D	MACHINED ADJUSTMENT SPOOL	
2.	118-226S	FEEDER CUP BEARING ASSEMBLY	
3.	118-315D	SPACER TUBE X 4.539	
4.	118-339D	4 13/16 BOX DVDR FOR 7 1/2 ROW	
5.	118-341D	2SNT SEED BOX DIVIDER CLIP	
6.	118-347D	SPACER TUBE X 3.266	
7.	118-353D	SPACER TUBE X 6.578	
8.	118-356D	BOX DIVIDER FOR 10 ROW	
9.	118-372D	BOX DVDR 6.13 X 60DEG	
10.	816-002C	RUBBER GRAIN TUBE	
11.	118-640D	3N-30 FD CUP DRIVE BAR	
12.	118-641D	BOX DVDR 9.81 X 40 DEG	
13.	118-645D	3N-30 10 RH FEEDER CUP TRAY	
14.	800-009C	CLAMP HOSE 1 5/8 NO. 26	
15.	801-035C	SCREW SET 5/16-18 SKT KP X 3/8	
16.	802-004C	HHCS 1/4-20X3/4 GR5	
17.	802-014C	HHCS 3/8-16X3/4 GR5	
18.	803-194C	NUT HEX WHIZ 1/4-20 PLT	
19.	804-012C	WASHER FLAT 3/8 SAE PLT	
20.	804-013C	WASHER LOCK SPRING 3/8 PLT	
21.	804-031C	WASHER RETAINING	
22.	805-023C	PIN ROLL 3/16X1 1/4 PLT	
23.	817-074C	SEED CUP SLEEVE	
24.	817-075C	SEED CUP ASSEMBLY	
25.	890-190C	PM SEED CUP SPROCKET	
26.	890-350C	5/8 SHAFT LOCKING COLLAR	
27.	118-508D	BEARING HUB 40A15	
28.	118-336D	FEEDER CUP BEARING HOUSING	
29.	822-103C	BRG 30MM B X 55MM OD	
30.	800-004C	SNAP RING EXT BASIC 1.880	
31.	800-107C	SNAP RING INT 2.165	
32.	817-071C	SEED CUP ADJUSTMENT HANDLE	
33.	817-069C	SEED CUP RIGHT HALF	
34.	817-070C	SEED CUP DOOR	
35.	817-068C	SEED CUP LEFT HALF	
36.	801-057C	SCR SELF TAP 8X3/8 TYPE25 BT	
37.	817-004C	NYLON WASHER-SPLIT	
38.	817-073C	SEED CUP WASHER RETAINER	

Legend: ● = 1st revision; ● = 2nd revision; ● = 3rd revision; ● = use up existing stock; ⊗ = not interchangeable; ⊗ ⊕ ● = for example: revision 2 is not interchangeable w/revision 1

Contact Drive Wheel

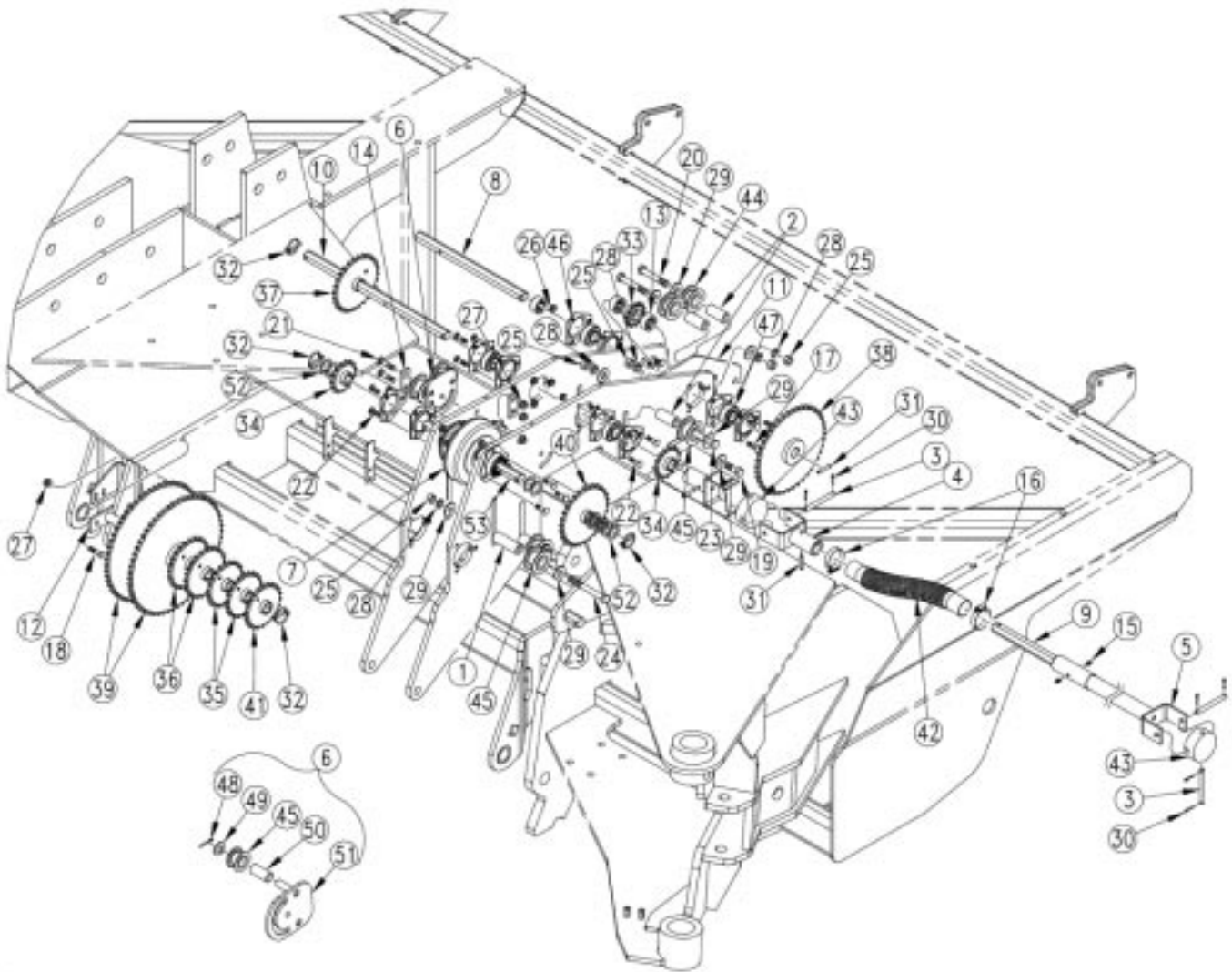


Contact Drive Wheel

Ref.	Part No.	Part Description	Comments
1.	814-134C	TIRE/WHEEL ASSY 13/5 X 6	
2.	196-551D	SPACER TUBE 1.5X1.032X1.06	
3.	804-061C	WASHER MACH 1.50 X 1.00 X 18GA	
4.	822-175C	FLANGETTE 52 3-BOLT PLT	
5.	822-195C	BRG.7/8HEX 52MM SPHR OD PEER	
6.	803-177C	NUT HEX LOCK 5/16-18 FLG.	
7.	802-009C	RHSNB 5/16-18X1 1/4 GR5	
8.	196-553D	CONTACT WHEEL OUTER ARM	
9.	804-015C	WASHER LOCK SPRING 1/2 PLT	
10.	803-020C	NUT HEX 1/2-13 PLT	
11.	196-220H	CONTACT WHEEL BRACE WLDMT 30NT	
12.	802-034C	HHCS 1/2-13X1 1/4 GR5	
13.	196-556D	CONTACT WHL SIDE PLATE	
14.	196-554D	CONTACT WHEEL SHAFT 7/8 HEX	
15.	805-180C	PIN ROLL 1/4 X 1 1/2 LG PLT	
16.	808-303C	SPKT 50C17 X 7/8 HEX BORE	
17.	196-555D	CTCT WHEEL SPRING ANCHOR BAR	
18.	890-726C	ACREMETER 30-P 12.5L15 420	
19.	196-266S	RATCHET CLUTCH CCW 7/8 HEX	Refer to page 6-9.
20.	808-319C	SPKT 50C30 X 7/8 HEX BORE	
	808-305C	SPKT 50C20 X 7/8 HEX BORE	
	808-302C	SPKT 50C15 X 7/8 HEX BORE	
21.	196-590D	SPACER TUBE 1ODX12GAX5.5	
22.	802-469C	HHCS 3/4-10X8 GR5 PLT	
23.	804-023C	WASHER LOCK SPRING 3/4 PLT	
24.	803-027C	NUT HEX 3/4-10 PLT	
25.	204-005S	HD DOWN PRESSURE SPRING ASSY	
26.	807-055C	SPRING HOLD DOWN HD COULTER	
27.	204-017D	SPRING PLUG CASTING	
28.	803-036C	NUT HEX JAM 1/2-13 PLT	
29.	802-424C	HHCS 1/2-13X4 FTHD	
30.	196-600D	ACREMETER OFFSET MOUNT PADDLE	(S/N 1002UU-)
31.	802-162C	HHCS 5/8-11X3 1/2 GR5	
32.	808-320C	SPKT IDLER BRG #50 15 TOOTH	
33.	803-021C	NUT HEX 5/8-11 PLT	
34.	804-019C	WASHER FLAT 5/8 USS PLT	
35.	804-022C	WASHER LOCK SPRING 5/8 PLT	
36.	136-176D	CHAIN RL #50 114 PITCHES	
37.	120-309D	SENSOR DISC, 42T 5.3 DIA PLTD	
38.	801-035C	SCREW SET 5/16-18 SKT KP X 3/8	
39.	402-058D	COLLAR LOCK 7/8 HEX	
40.	402-025S	LOCK COLLAR, 7/8 HEX W/ SET SC	
41.	805-240C	PIN LYNCH 3/16 X 1 9/16 LONG	
42.	407-073D	COUPLER, DRY FERT	
43.	805-180C	PIN ROLL 1/4 X 1 1/2 LG PLT	
44.	196-265S	RATCHET CLUTCH CW 7/8 HEX	Refer to page 6-7.
45.	802-551C	HHCS 1/4-20X2 1/4 GR5	(S/N 1002UU-)
46.	804-075C	WASHER FLAT 1/4 USS PLT	(S/N 1002UU-)
47.	803-007C	NUT LOCK 1/4-20 PLT	(S/N 1002UU-)
48.	196-599D	HEX SHAFT 73.18 LONG	
49.	803-209C	NUT FLANGE LOCK 3/8-16 PLT	
50.	196-271H	SPROCKET STORAGE WLDMENT LONG	
51.	802-022C	HHCS 3/8-16X1 1/2 GR5	
52.	802-282C	RHSNB 5/16-18X1 GR5	
53.	198-957K	AUX DOWNPRESSURE SPRING ASSY	(Option)
54.	198-258D	DOWNPRESS SPRING ANCHOR	
55.	198-259D	DOWNPRESSURE SPRING ROD	
56.	198-260D	DP SPRING ANCHOR SPACER TUBE	
57.	800-085C	SNAP RING EXT 1 HEAVY	
58.	802-091C	HHCS 1/2-13X1 1/2 GR5	
59.	802-095C	HHCS 3/4-10X7 GR5	
60.	890-805C	ACREMETER 30P CONTACT 433 REV	(S/N 1003UU+)

Legend: ● = 1st revision; ● = 2nd revision; ● = 3rd revision; ● = use up existing stock; ⊗ = not interchangeable; ⊗ ⊕ ● = for example: revision 2 is not interchangeable w/revision 1

Transmission Drive

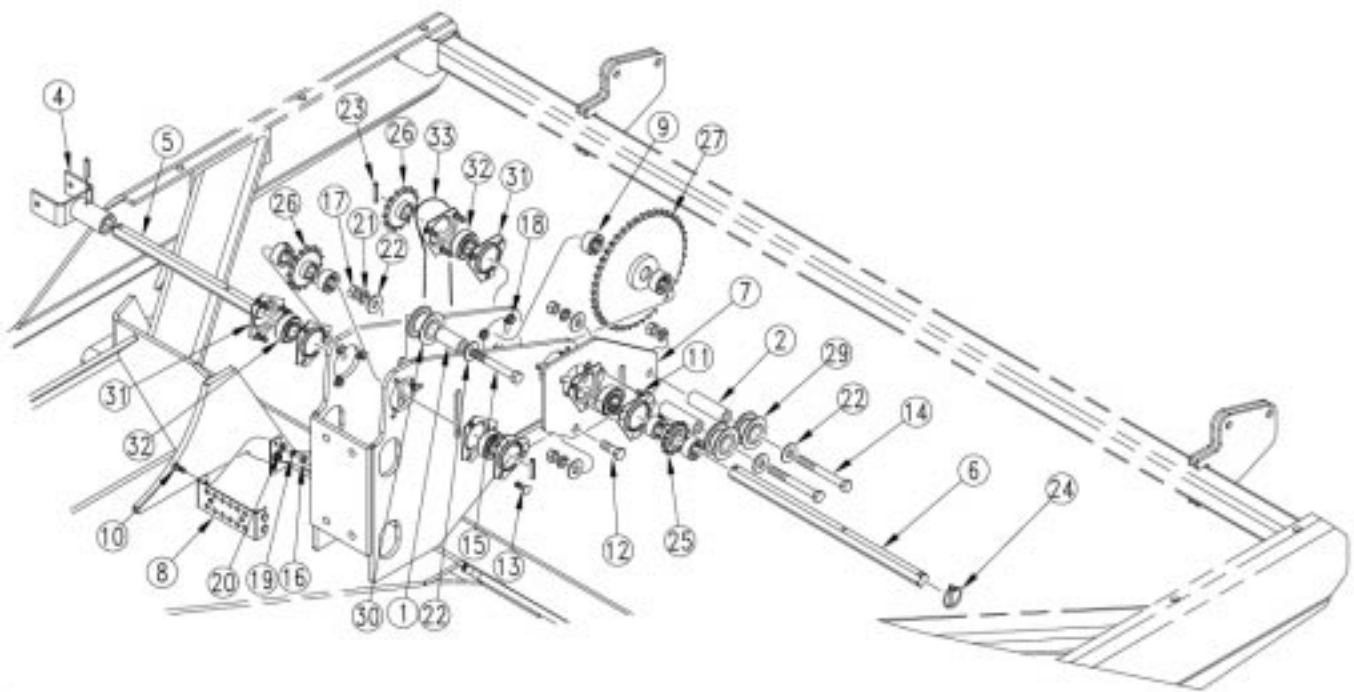


Transmission Drive

Ref.	Part No.	Part Description	Comments
1.	120-293D	TUBE RND DOM. 1 OD X 7/32WX3.0	
2.	120-306D	TUBE RND 1 OD X 7/32W X 2.13	
3.	195-157D	U-JOINT PIN 3/8	
4.	196-245H	U-JOINT DRIVE SHAFT YOKE	
5.	196-246H	TELESCOPING DRIVE SHAFT TUBE	
6.	196-249S	DOUBLE IDLER SPOOL ASSY #50	Includes items 44, 47- 50
7.	196-269L	PNT ROW CLUTCH ASS LH NO STRAP	Refer to page 6-11 for breakdown
	196-270L	PNT ROW CLUTCH ASS RH NO STRAP	Refer to page 6-11 for breakdown
8.	196-580D	STUB SHAFT 7/8 HEX 13.94 LG	
9.	196-581D	SLIDER SHAFT 7/8 HEX 44.50 LG	
10.	196-584D	TRANS REAR SHFT 7/8 HEX 18.41L	
11.	196-851D	3N-30 FD CUP IDLER PLATE GEN	
12.	402-022H	SPRKT STORAGE WELD	
13.	402-025S	LOCK COLLAR, 7/8 HEX W/ SET SC	
14.	402-242D	IDLER BOLT PLATE	
15.	800-001C	GREASE ZERK STRAIGHT 1/4-28	
16.	800-311C	CLAMP WRM DRV #24 (1.06-2)	
17.	802-009C	RHSNB 5/16-18X1 1/4 GR5	
18.	802-022C	HHCS 3/8-16X1 1/2 GR5	
19.	802-091C	HHCS 1/2-13X1 1/2 GR5	
20.	802-099C	HHCS 1/2-13X3 1/4 GR5	
21.	802-252C	RHSNB 3/8-16X1 3/4 GR5	
22.	802-282C	RHSNB 5/16-18X1 GR5	
23.	802-424C	HHCS 1/2-13X4 FTHD	
24.	802-672C	HHCS 1/2-13X4 1/2 GR5 SPTHD	
25.	803-020C	NUT HEX 1/2-13 PLT	
26.	803-177C	NUT HEX LOCK 5/16-18 FLG.	
27.	803-209C	NUT FLANGE LOCK 3/8-16 PLT	
28.	804-015C	WASHER LOCK SPRING 1/2 PLT	
29.	804-113C	WASHER FLAT 1/2 USS HARD PLT	
30.	805-067C	PIN COTTER 1/8 X 3/4	
31.	805-180C	PIN ROLL 1/4 X 1 1/2 LG PLT	
32.	805-240C	PIN LYNCH 3/16 X 1 9/16 LONG	
33.	808-259C	SPKT 40B14 X 7/8 HEX BORE	
34.	808-302C	SPKT 50C15 X 7/8 HEX BORE	
35.	808-306C	SPKT 50C22 X 7/8 HEX BORE	
36.	808-309C	SPKT 50C25 X 7/8 HEX BORE	
37.	808-312C	SPKT 50C28 X 7/8 HEX BORE	
38.	808-314C	SPKT 50C44 X 7/8 HEX BORE	
39.	808-315C	SPKT 50C60 X 7/8 HEX BORE	
40.	808-319C	SPKT 50C30 X 7/8 HEX BORE	Can use item 36 or 39
41.	808-305C	SPKT 50C20 X 7/8 HEX BORE	
42.	816-107C	SEED HOSE X 45 RIBS	
43.	817-273C	U-JOINT NYLATRON CROSS BLOCK	
44.	817-406C	IDLER 1 PC 2.38X1.01X1.062	
45.	817-456C	IDLER SPOOL #50 2.38X1.01X1.31	
46.	822-175C	FLANGETTE 52 3-BOLT PLT	
47.	822-195C	BRG.7/8HEX 52MM SPHR OD PEER	
48.	805-064C	PIN COTTER 7/64 X 1 LONG	
49.	804-017C	WASHER FLAT 1/2 USS PLT	
50.	120-305D	TUBE RND 1 OD X 7/32W X 1.56	
51.	402-126H	OFFSET DOUBLE IDLER WELDMENT	
52.	804-061C	WASHER MACH 1.50 X 1.00 X 18GA	
53.	196-593D	POINT ROW CLUTCH SHAFT	

Legend: ● = 1st revision; ● = 2nd revision; ● = 3rd revision; ● = use up existing stock; ⊗ = not interchangeable; ⊗ ⊕ ● = for example: revision 2 is not interchangeable w/revision 1

Wing Drive



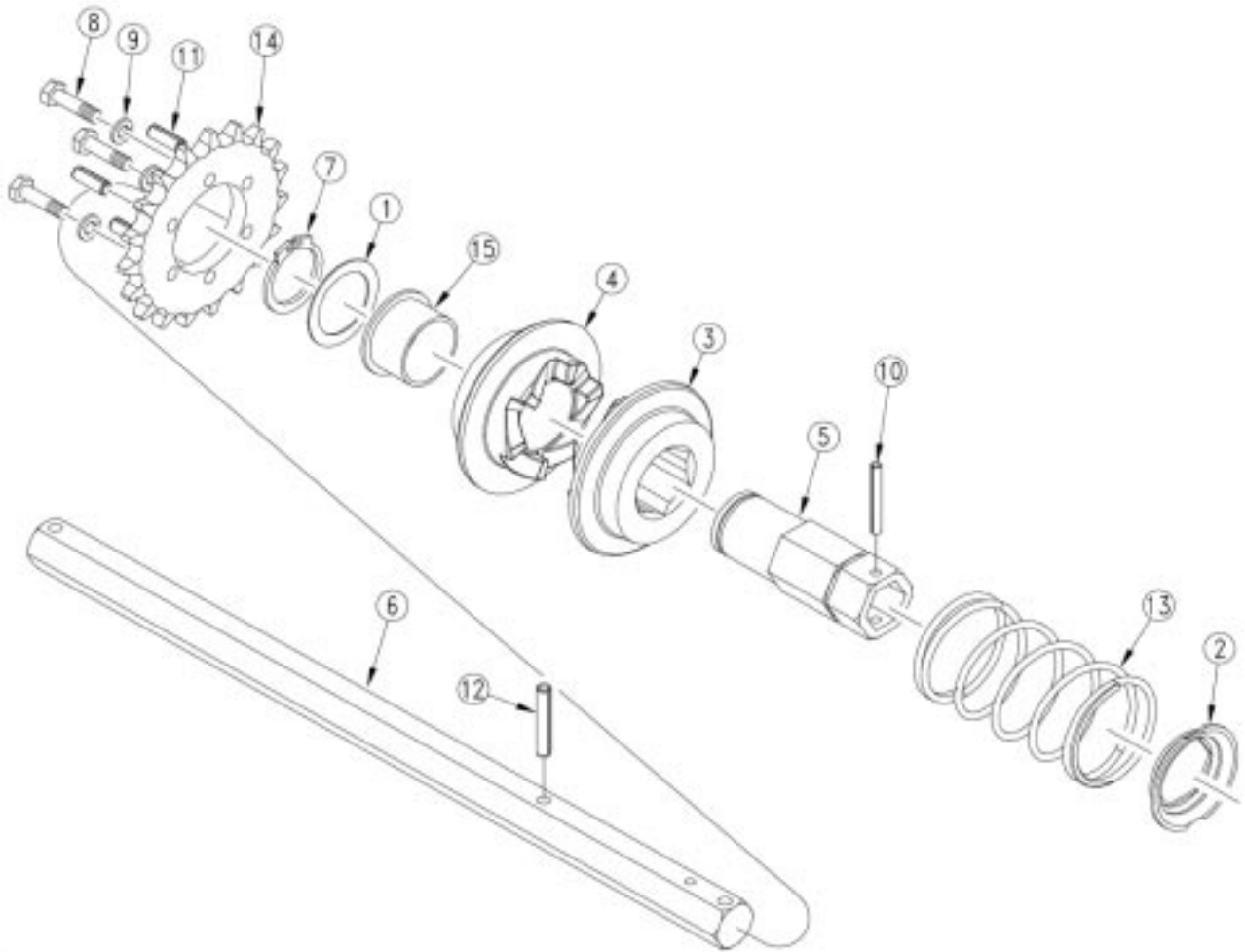
Wing Drive

Ref.	Part No.	Part Description	Comments
1.	120-306D	TUBE RND 1 OD X 7/32W X 2.13	
2.	120-313D	TUBE RND 1 OD X 7/32W X 3.31	
3.	136-110D	CHAIN RL #40 100 PITCHES	
4.	196-245H	U-JOINT DRIVE SHAFT YOKE	
5.	196-580D	STUB SHAFT 7/8 HEX 13.94 LG	
6.	196-584D	TRANS REAR SHFT 7/8 HEX 18.41L	
7.	196-852D	3N-30 FD CUP IDLER PLATE WNG	
8.	197-194D	GREASE BANK MOUNT	
9.	402-025S	LOCK COLLAR, 7/8 HEX W/ SET SC	
10.	802-004C	HHCS 1/4-20X3/4 GR5	
11.	802-009C	RHSNB 5/16-18X1 1/4 GR5	
12.	802-091C	HHCS 1/2-13X1 1/2 GR5	
13.	802-282C	RHSNB 5/16-18X1 GR5	
14.	802-413C	HHCS 1/2-13X4 1/2 GR5	
15.	802-424C	HHCS 1/2-13X4 FTHD	
16.	803-006C	NUT HEX 1/4-20 PLT	
17.	803-020C	NUT HEX 1/2-13 PLT	
18.	803-177C	NUT HEX LOCK 5/16-18 FLG.	
19.	804-006C	WASHER LOCK SPRING 1/4 PLT	
20.	804-007C	WASHER FLAT 1/4 SAE PLT	
21.	804-015C	WASHER LOCK SPRING 1/2 PLT	
22.	804-113C	WASHER FLAT 1/2 USS HARD PLT	
23.	805-180C	PIN ROLL 1/4 X 1 1/2 LG PLT	
24.	805-240C	PIN LYNCH 3/16 X 1 9/16 LONG	
25.	808-259C	SPKT 40B14 X 7/8 HEX BORE	
26.	808-302C	SPKT 50C15 X 7/8 HEX BORE	
27.	808-314C	SPKT 50C44 X 7/8 HEX BORE	
28.	809-038C	CHAIN RL #50 X 80 PITCH	
29.	817-406C	IDLER 1 PC 2.38X1.01X1.062	
30.	817-456C	IDLER SPOOL #50 2.38X1.01X1.31	
31.	822-175C	FLANGETTE 52 3-BOLT PLT	
32.	822-195C	BRG.7/8HEX 52MM SPHR OD PEER	
33.	136-178D	CHAIN RL #50 88 PITCHES	



Legend: ● = 1st revision; ● = 2nd revision; ● = 3rd revision; ● = use up existing stock; ⊗ = not interchangeable; ⊗ ① ● = for example: revision 2 is not interchangeable w/revision 1

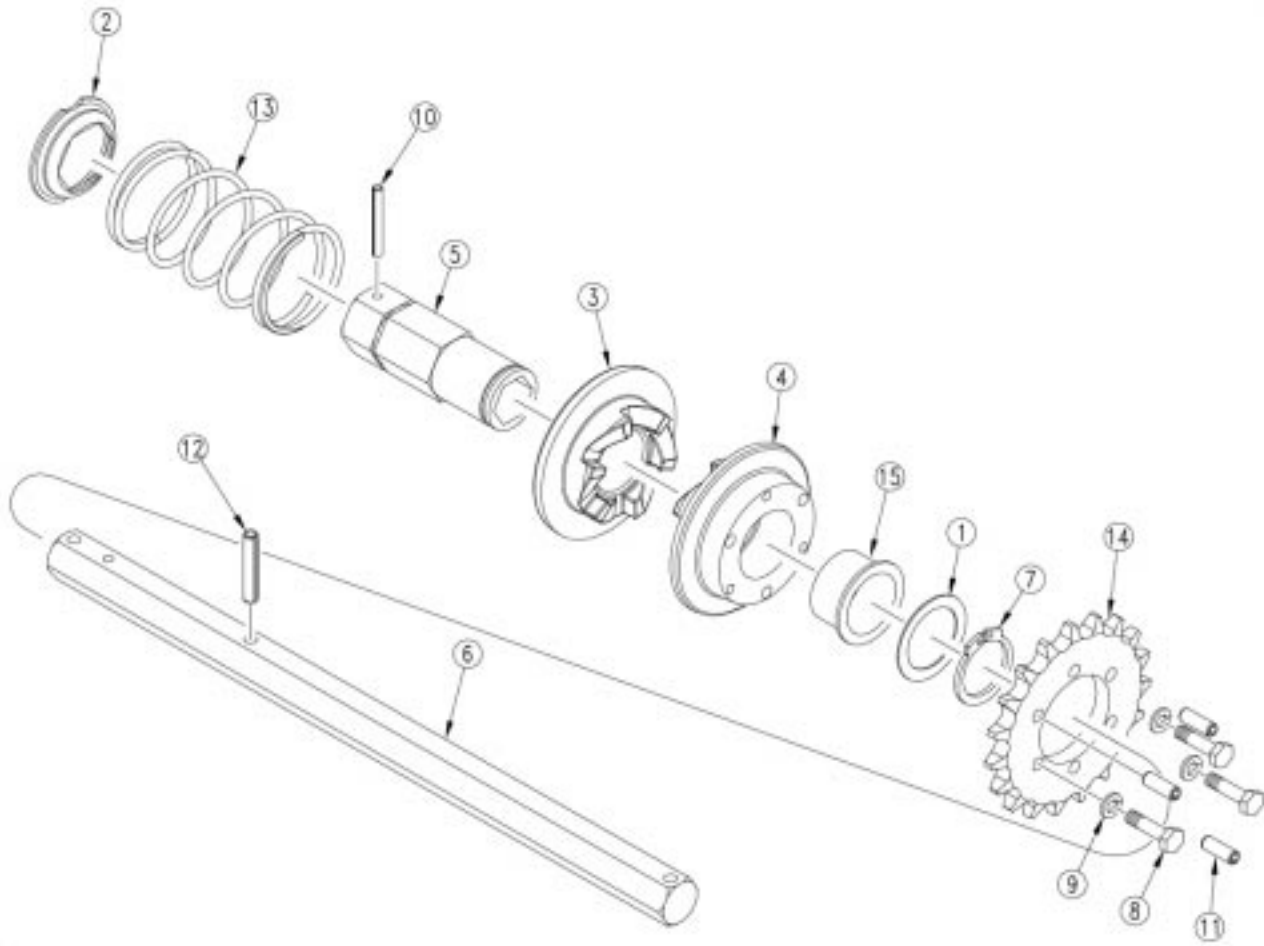
Ratchet Clutch CW (RH Side) (196-265S)



Ratchet Clutch CW (RH Side) (196-265S)

Ref.	Part No.	Part Description	Comments
1.	176-065D	CLUTCH FRICTION WASHER	
2.	176-066D	CLUTCH SPRING RETAINER	
3.	176-076D	CLUTCH SLIDE PLATE - CW	
4.	176-078D	CLUTCH DRIVE PLATE LONG - CW	
5.	176-084D	CLUTCH HUB 7/8 HEX BORE	
6.	196-582D	PIVOT SHAFT 7/8 HEX 17.38 LG	
7.	800-177C	SNAP RING EXT 1 1/4 HEAVY	
8.	802-004C	HHCS 1/4-20X3/4 GR5	
9.	804-006C	WASHER LOCK SPRING 1/4 PLT	
10.	805-024C	PIN ROLL 3/16X 1 1/2 PLT	
11.	805-026C	PIN ROLL 1/4 X 3/4 PLT	
12.	805-180C	PIN ROLL 1/4 X 1 1/2 LG PLT	
13.	807-097C	SPRING COMP 2 1/16 OD X 4 LG	
14.	808-332C	SPKT 50A19 1.813-1.818 BR/6HOL	
15.	817-111C	BEARING 1 1/4 ID X 1 13/32 OD	

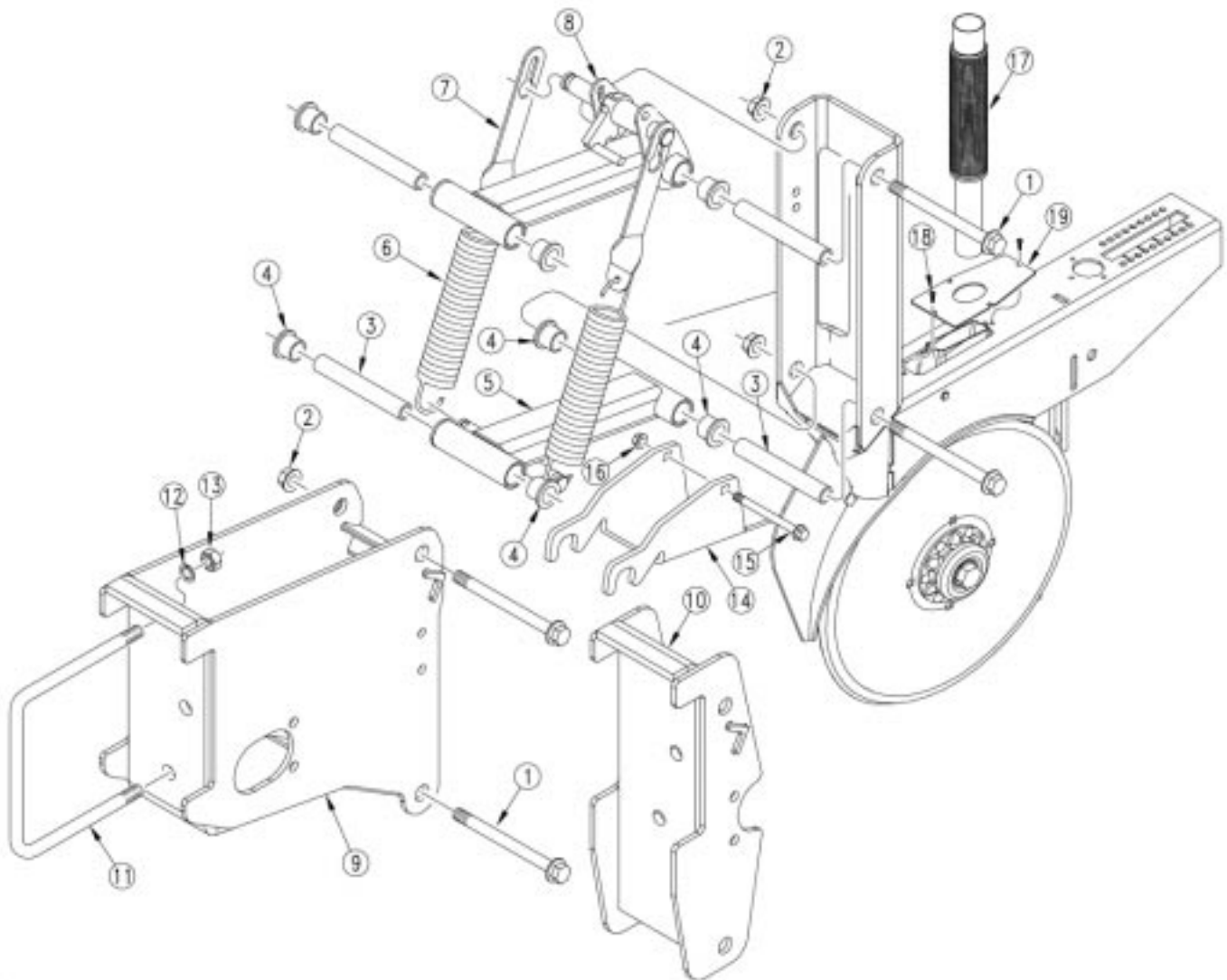
Ratchet Clutch CCW (LH Side) (196-266S)



Ratchet Clutch CCW (LH Side) (196-266S)

Ref.	Part No.	Part Description	Comments
1.	176-065D	CLUTCH FRICTION WASHER	
2.	176-066D	CLUTCH SPRING RETAINER	
3.	176-077D	CLUTCH SLIDE PLATE - CCW	
4.	176-079D	CLUTCH DRIVE PLATE LONG - CCW	
5.	176-084D	CLUTCH HUB 7/8 HEX BORE	
6.	196-582D	PIVOT SHAFT 7/8 HEX 17.38 LG	
7.	800-177C	SNAP RING EXT 1 1/4 HEAVY	
8.	802-004C	HHCS 1/4-20X3/4 GR5	
9.	804-006C	WASHER LOCK SPRING 1/4 PLT	
10.	805-024C	PIN ROLL 3/16X 1 1/2 PLT	
11.	805-026C	PIN ROLL 1/4 X 3/4 PLT	
12.	805-180C	PIN ROLL 1/4 X 1 1/2 LG PLT	
13.	807-097C	SPRING COMP 2 1/16 OD X 4 LG	
14.	808-332C	SPKT 50A19 1.813-1.818 BR/6HOL	
15.	817-111C	BEARING 1 1/4 ID X 1 13/32 OD	

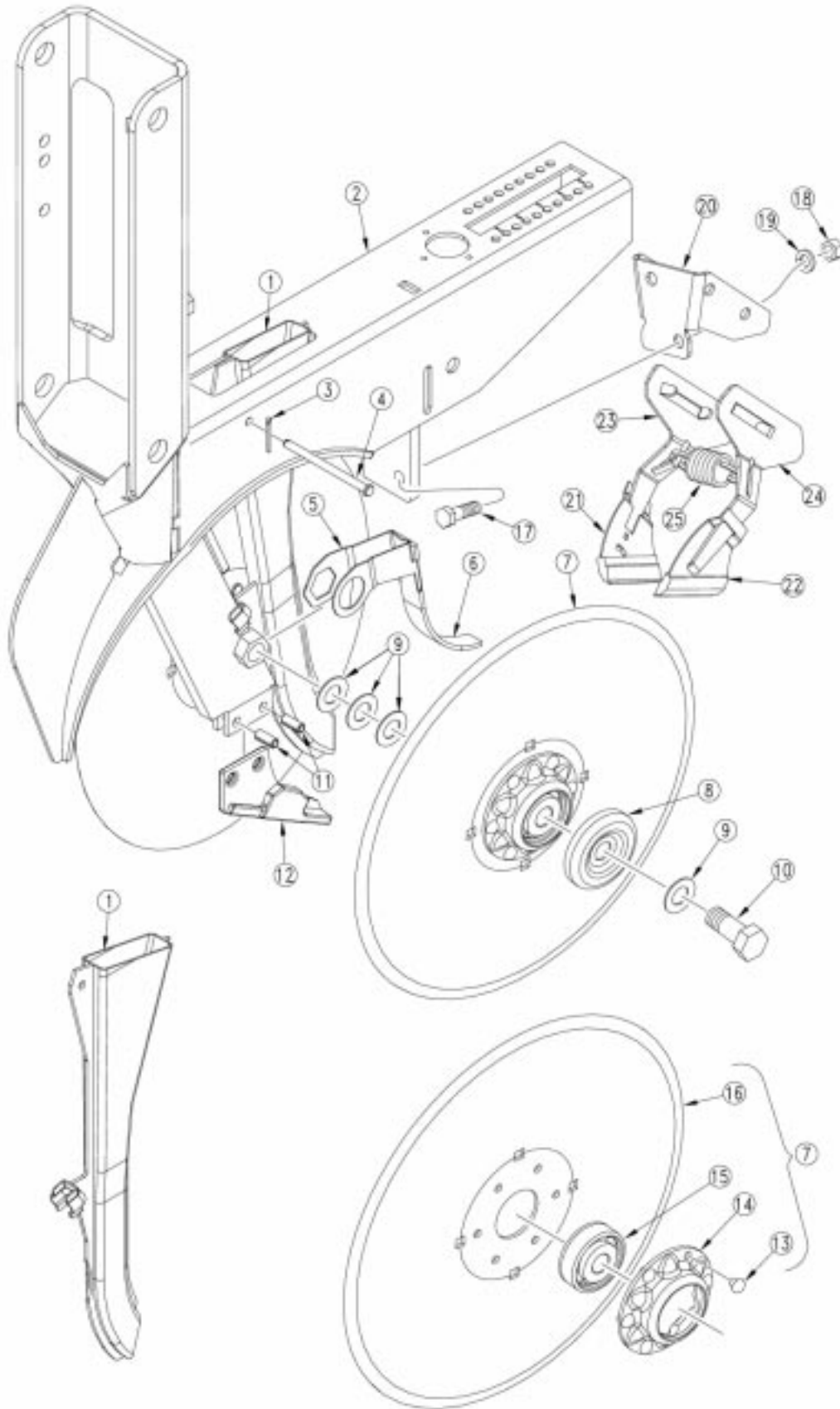
10 Series Opener Arms & Mounts



10 Series Opener Arms & Mounts

Ref.	Part No.	Part Description	Comments
1.	802-419C	HFS 1/2-13X5 3/4	
2.	803-169C	NUT HEX FLG. LOCK 1/2-13 PLT.	
3.	198-246D	SING OPENER INNER PIVOT TUBE	
4.	817-084C	PARALLEL ARM PIVOT BUSHING	
5.	198-619H	SING OPENER LOWER ARM WELDMENT	
6.	807-116C	SPRING EXT 1 5/8OD X 6.6X.177	
7.	198-239D	6 15/16 SPRING STRAP	
8.	198-618H	SING OPENER UPPER ARM WELDMENT	
9.	198-614H	PSS OPENER MOUNT REAR WLDMT	
10.	198-613H	PSS OPENER MOUNT FRONT WLDMT	
11.	806-053C	U-BOLT 5/8-11 X 7 1/32 X 6 1/2	
12.	804-022C	WASHER LOCK SPRING 5/8 PLT	
13.	803-021C	NUT HEX 5/8-11 PLT	
14.	122-172D	10P 20P UP FLOAT LIMITER	Center frame openers only
15.	802-274C	HHCS 1/4-20X3 GR5	
16.	803-007C	NUT LOCK 1/4-20 PLT	
17.	816-037C	END WHEEL FERTILIZER HOSE	
18.	801-002C	SCREW HEX SLT10-16X1/2P.THD CT	
19.	196-849D	3N-40 SEED HOSE CLAMP PLATE	

10 Series Opener Body



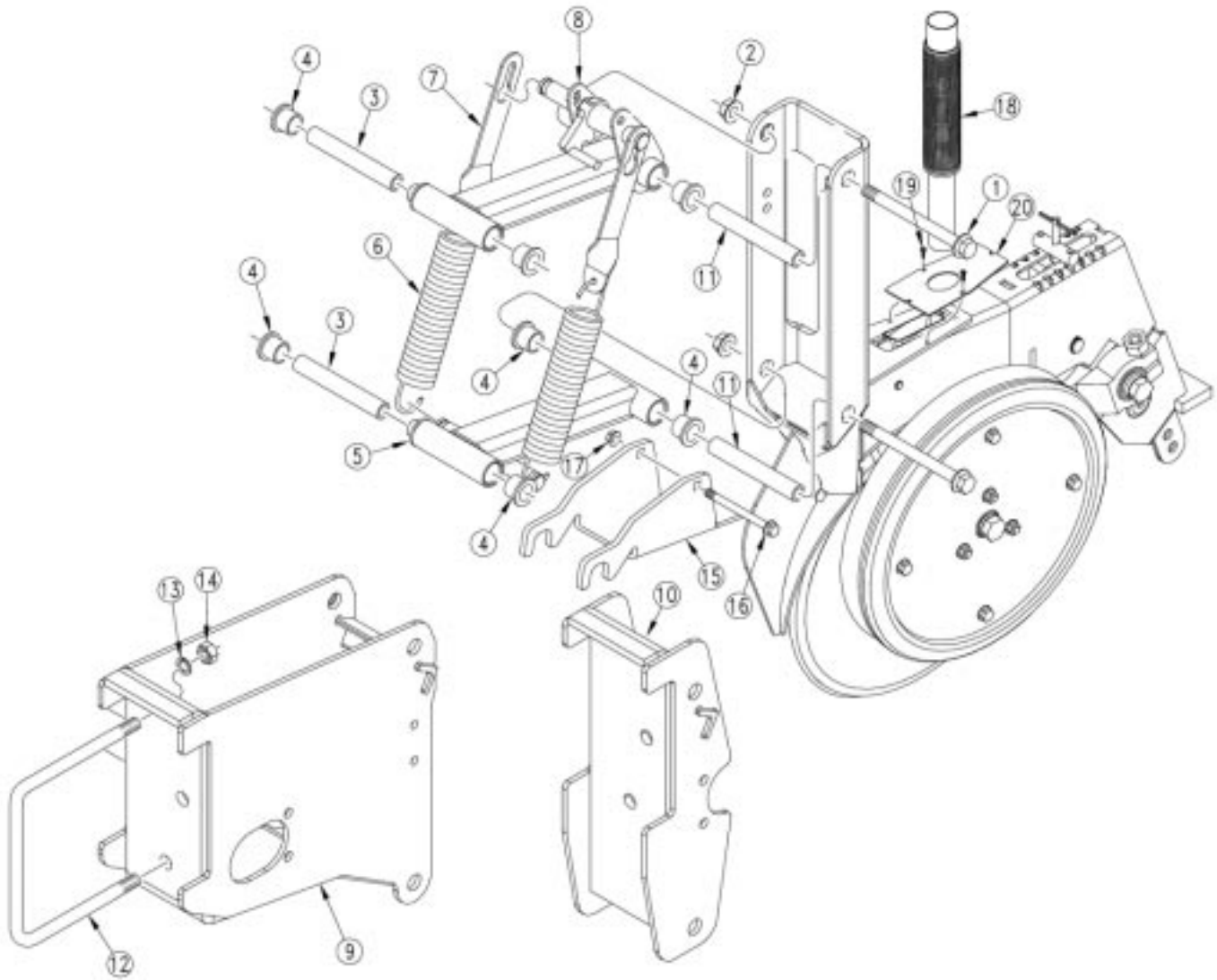
20458

10 Series Opener Body

Ref.	Part No.	Part Description	Comments
1.	817-530C	3N-40 SEED TUBE NO SENSOR HOLE	
2.	198-616H	10 SERIES SINGULATING OPENER	
3.	805-063C	PIN COTTER 3/32 X 1 LONG	
4.	805-299C	PIN CLEVIS 1/4 X 3 23/64 USBL	
5.	198-241D	SEED FLAP MOUNTING CLIP, SING	
6.	816-302C	SEED FLAP, RUBBER, SEED-LOK	
	817-349C	SEED FLAP, UHMW, LONG	
7.	107-138S	DD W/205 BRG-PLD FLNG-4MM	
8.	107-111D	DD BRG FLANGE DUST COVER	
9.	804-040C	WASHER MACH 1.19 X .63 X 18GA	
10.	802-228C	HHCS 5/8-11X1 1/2 GR5 NYL	
11.	805-335C	PIN ROLL 5/16 X 5/8 PLT	
12.	812-309C	SCRAPER-SPREADER 10-20SER 2003	
13.	800-213C	RIVET,BUTTON HEAD 1/4 X 1/2	
14.	890-466C	RIBB BRG FLNG .266 MT HOLE PLT	
15.	188-001V	BEARING AA205DD	
16.	820-256C	FLAT DISK BLADE-4MM THICK	
17.	802-079C	HHCS 3/8-16X1 1/4 GR5	
18.	803-014C	NUT HEX 3/8-16 PLT	
19.	804-013C	WASHER LOCK SPRING 3/8 PLT	
20.	122-169D	10P AD OUTSIDE SCRAPER MOUNT	
21.	AD21010	AIR DESIGN SCRAPER J.D.2.5W RH	
22.	AD21011	AIR DESIGN SCRAPER J.D.2.5W LH	
23.	AD21012	AIR DESIGN SCRAPER J.D.MNT RH	
24.	AD21013	AIR DESIGN SCRAPER J.D.MNT LH	
25.	AD21014	AIR DESIGN SCRAPER J.D.SPRING	

Legend: ● = 1st revision; ● = 2nd revision; ● = 3rd revision; ● = use up existing stock; ⊗ = not interchangeable; ⊗ ① ● = for example: revision 2 is not interchangeable w/revision 1

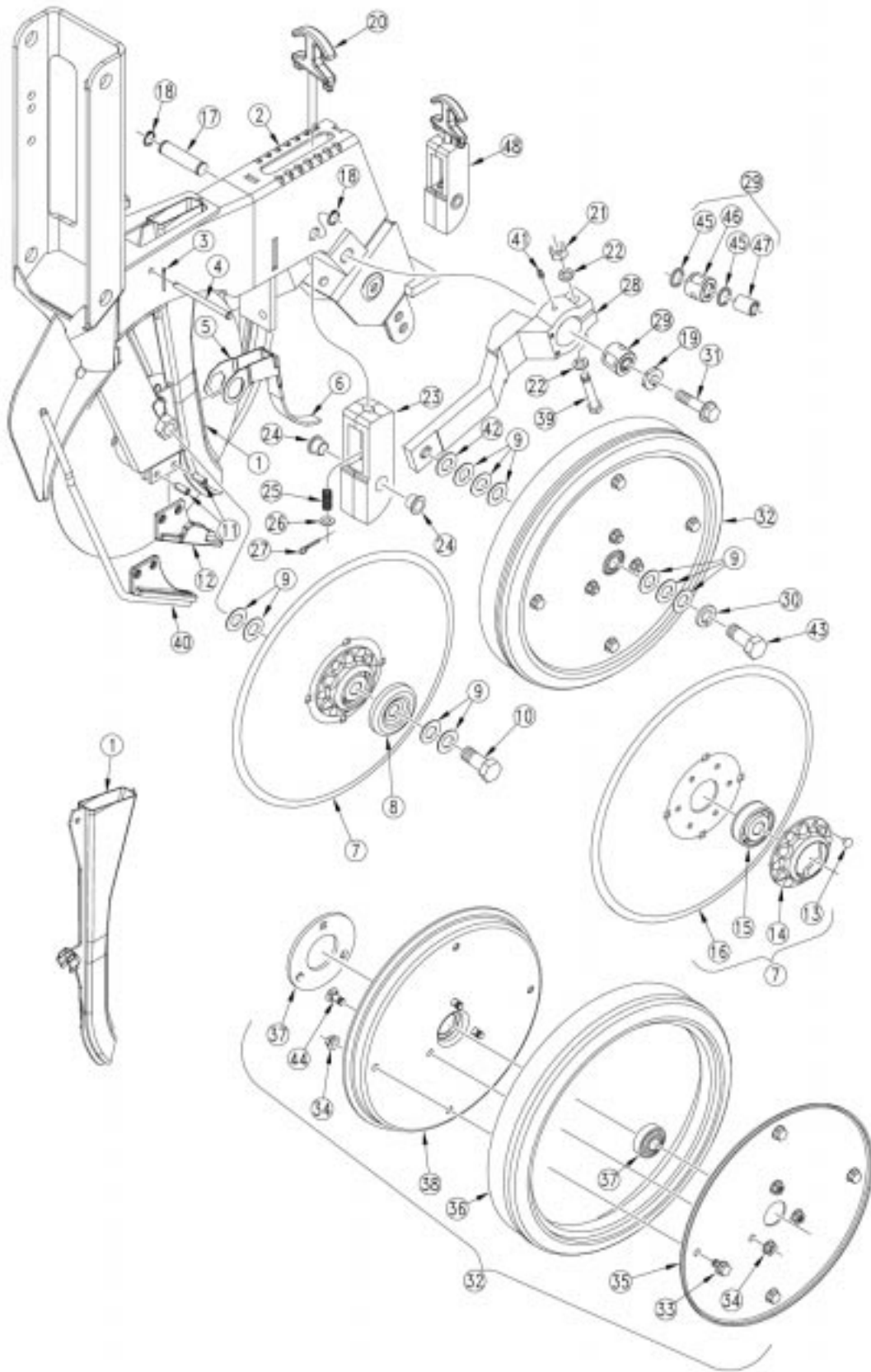
20 Series Opener Arms & Mounts



20 Series Opener Arms & Mounts

Ref.	Part No.	Part Description	Comments
1.	802-419C	HFS 1/2-13X5 3/4	
2.	803-169C	NUT HEX FLG. LOCK 1/2-13 PLT.	
3.	198-246D	SING OPENER INNER PIVOT TUBE	
4.	817-084C	PARALLEL ARM PIVOT BUSHING	
5.	198-619H	SING OPENER LOWER ARM WELDMENT	
6.	807-116C	SPRING EXT 1 5/8OD X 6.6X.177	Used with 1x12 Press Wheels.
	807-076C	SPRING EXT 1.575 OD X .225 W	Used with 1x10 Press Wheels.
7.	198-239D	6 15/16 SPRING STRAP	Used with 807-116C.
	198-240D	3 13/32 SPRING STRAP	Used with 807-076C.
8.	198-618H	SING OPENER UPPER ARM WELDMENT	
9.	198-614H	PSS OPENER MOUNT REAR WLDMT	
10.	198-613H	PSS OPENER MOUNT FRONT WLDMT	
11.	198-247D	20 SER SING FRT INNER PIVOT TB	
12.	806-053C	U-BOLT 5/8-11 X 7 1/32 X 6 1/2	
13.	804-022C	WASHER LOCK SPRING 5/8 PLT	
14.	803-021C	NUT HEX 5/8-11 PLT	
15.	122-172D	10P 20P UP FLOAT LIMITER	Center frame openers only
16.	802-274C	HHCS 1/4-20X3 GR5	
17.	803-007C	NUT LOCK 1/4-20 PLT	
18.	816-037C	END WHEEL FERTILIZER HOSE	
19.	801-002C	SCREW HEX SLT10-16X1/2P.THD CT	
20.	196-849D	3N-40 SEED HOSE CLAMP PLATE	

20 Series Opener Body

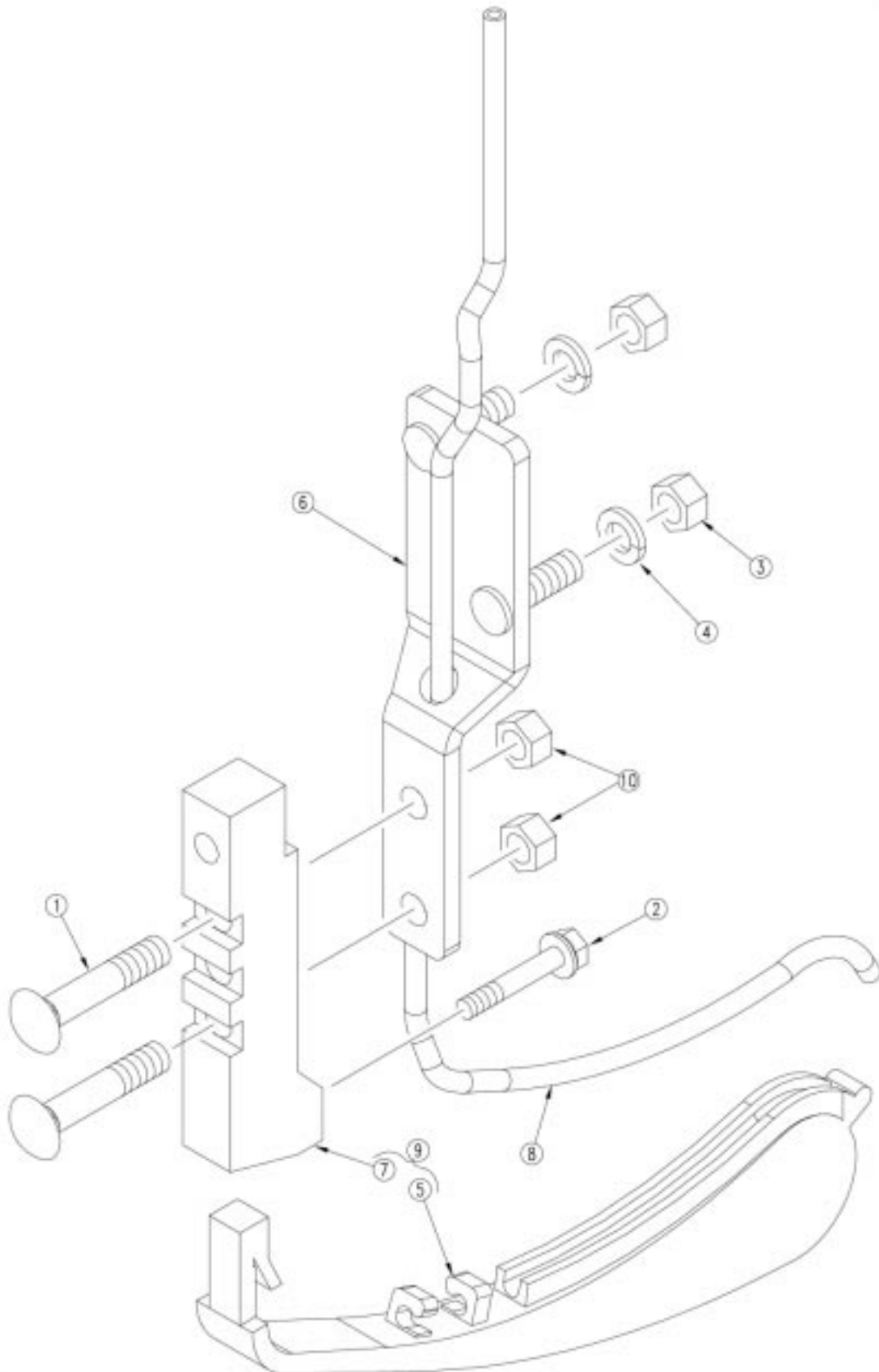


20 Series Opener Body

Ref.	Part No.	Part Description	Comments
1.	817-530C	3N-40 SEED TUBE NO SENSOR HOLE	
2.	198-615H	20 SERIES SINGULATING OPENER	
3.	805-063C	PIN COTTER 3/32 X 1	
4.	805-296C	PIN CLEVIS 1/4 X 1 31/64 USBL	
5.	198-241D	SEED FLAP MOUNTING CLIP, SING	
6.	816-302C	SEED FLAP, RUBBER, SEED-LOK	Used with Seed-Lok (shown).
	817-349C	SEED FLAP, UHMW, LONG	Used without Seed-Lok.
7.	107-133S	D.D. W/ 205 BRG ASSY-PLT FLNG	Includes 13-16
8.	107-138S	DD W/205 BRG-PLD FLNG-4MM	
9.	804-040C	WASHER MACH 1.19 X .63 X 18GA	
10.	802-228C	HHCS 5/8-11X1 1/2 GR5 NYL	
11.	805-335C	PIN ROLL 5/16 X 5/8 PLT	
12.	812-309C	SCRAPER-SPREADER 10-20SER 2003	
13.	800-213C	RIVET,BUTTON HEAD 1/4 X 9/16	
14.	890-466C	RIBB BRG FLNG .266 MT HOLE PLT	
15.	188-001V	BEARING AA205DD	
16.	820-256C	FLAT DISK BLADE-4MM THICK	
17.	198-202D	20 SER OPNR CAM PIN	
18.	800-118C	SNAP RING EXT 5/8 .050 T	
19.	298-324S	20P DPTH WHL ECCENTRIC ADJUSTR.	
20.	812-302C	CASTING - STAINLESS T-HANDLE	
21.	803-307C	NUT HEX 7/16-20 GR8	
22.	804-014C	WASHER LOCK 7/16 PLT	
23.	198-201D	20 SER OPNR PW CAM	
24.	817-083C	PRESS WHEEL ARM PIVOT BUSHING	
25.	807-172C	SPRING COMP 5/8 OD X 1 3/4 LG	
26.	804-012C	WASHER FLAT 3/8 SAE PLT	
27.	805-067C	PIN COTTER 1/8 X 3/4	
28.	198-265D	20P SIDE DEPTH WHEEL ARM	
29.	198-999S	20P LH ELIMINATOR BUSHING ASSY	Includes 45-47
	198-998S	20P RH ELIMINATOR BUSHING ASSY	Includes 45-47
30.	804-022C	WASHER LOCK SPRING 5/8 PLT	
31.	802-179C	HHCS 5/8-11X2 1/2 GR5 NYL	
32.	198-057S	2X13 DEPTH WHEEL ASSY	Includes 33-38, 44
33.	802-352C	HFSS 5/16-18X1/2 GR5	
34.	803-043C	NUT HEX WHIZ 5/16-18 PLT	
35.	814-082C	2X13 D.W. OUTER RIM HALF	
36.	814-083C	2X13 SIDE DEPTH TIRE	
37.	198-183D	20 SER SIDE DEPTH WL STIFF PLT	
38.	814-081C	2X13 D.W. INNER RIM HALF	
39.	802-694C	HHCS 7/16-20 2 3/4 GR8	
40.	122-257H	SEP &FERT TUBE 10-20SER 1999	Option
41.	800-001C	GREASE ZERK STRAIGHT 1/4-28	
42.	804-195C	WASHER FLAT 1.31ODX.65IDX.188T	
43.	802-430C	HHCS 5/8-11X2 GR5 NYL	
44.	802-092C	RHSNB 5/16-18X3/4 GR5	
45.	816-414C	O-RING SQUARE 1IDX1 1/4ODX1/8	
46.	198-267D	20P DEPTH WHL OUTER BUSHING	
47.	198-266D	20P DEPTH WHL ECCENTRIC BUSHNG	
48.	198-956K	20 SER OPENER T-HANDLE SUBASSY	Includes 20, 23-27

Legend: ● = 1st revision; ● = 2nd revision; ● = 3rd revision; ● = use up existing stock; ⊗ = not interchangeable; ⊗ ⊕ ● = for example: revision 2 is not interchangeable w/revision 1

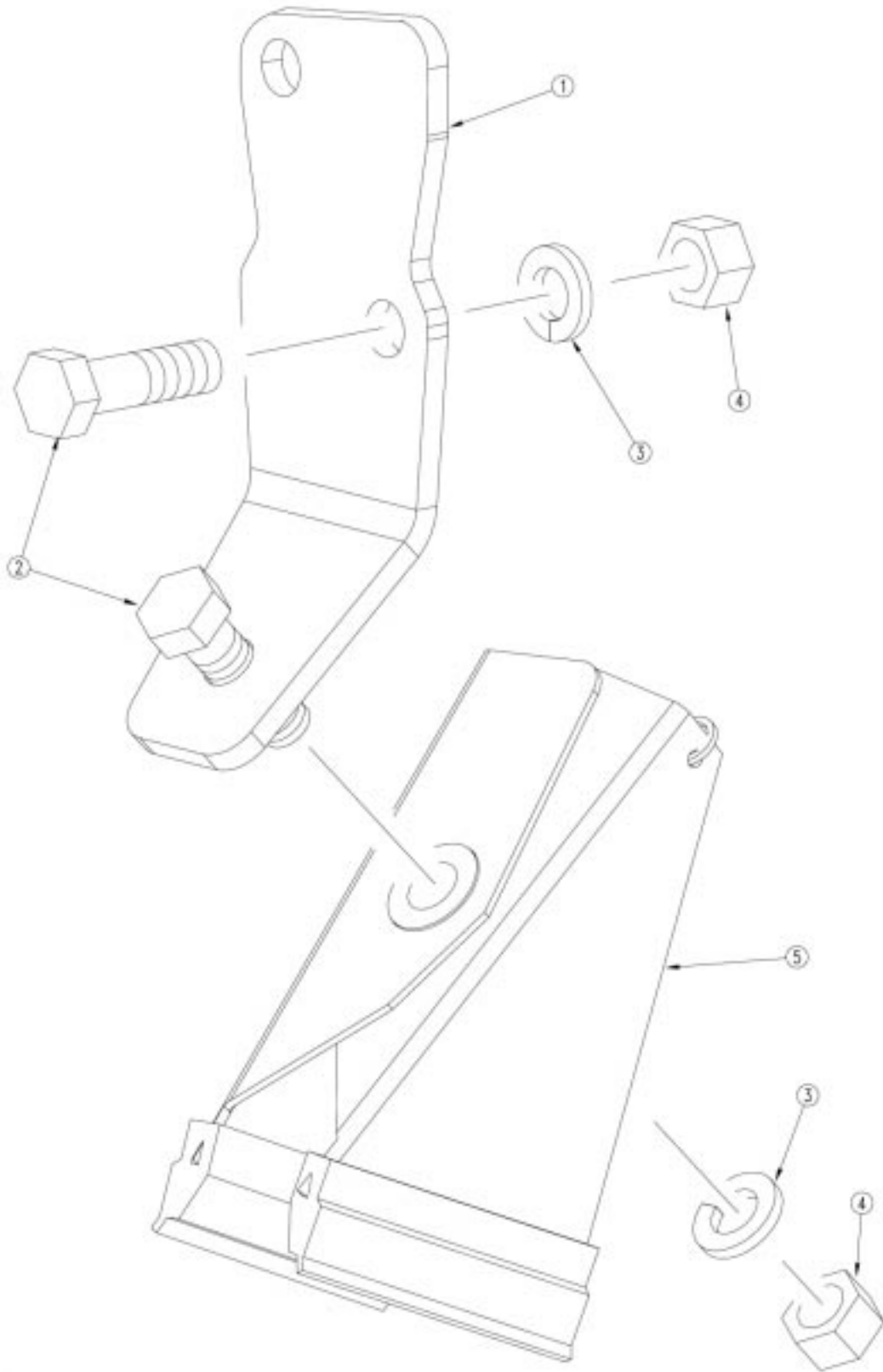
Keeton Seed Firmer (Option)



Keeton Seed Firmer (Option)

Ref.	Part No.	Part Description	Comments
1.	802-411C	RHSNB 3/8-16X2 GR5	
2.	802-617C	HHFS 1/4-20 X 1 1/2 GR 5	
3.	803-014C	NUT HEX 3/8-16 PLT	
4.	804-013C	WASHER LOCK SPRING 3/8 PLT	
5.	129BXT810	KEETON FIRMER	
6.	150GP022E	STEEL MOUNTING BRACKET	
7.	129BXT811	KEETON POLY BRACKET	
8.	900TUBEBL	KEETON FERTILIZER TUBE	
9.	129BXT800	KEETON REPLCMNT FIRMERW/TUBING	
10.	803-013C	NUT LOCK 3/8-16 PLT	

Air Design Scraper (Option)

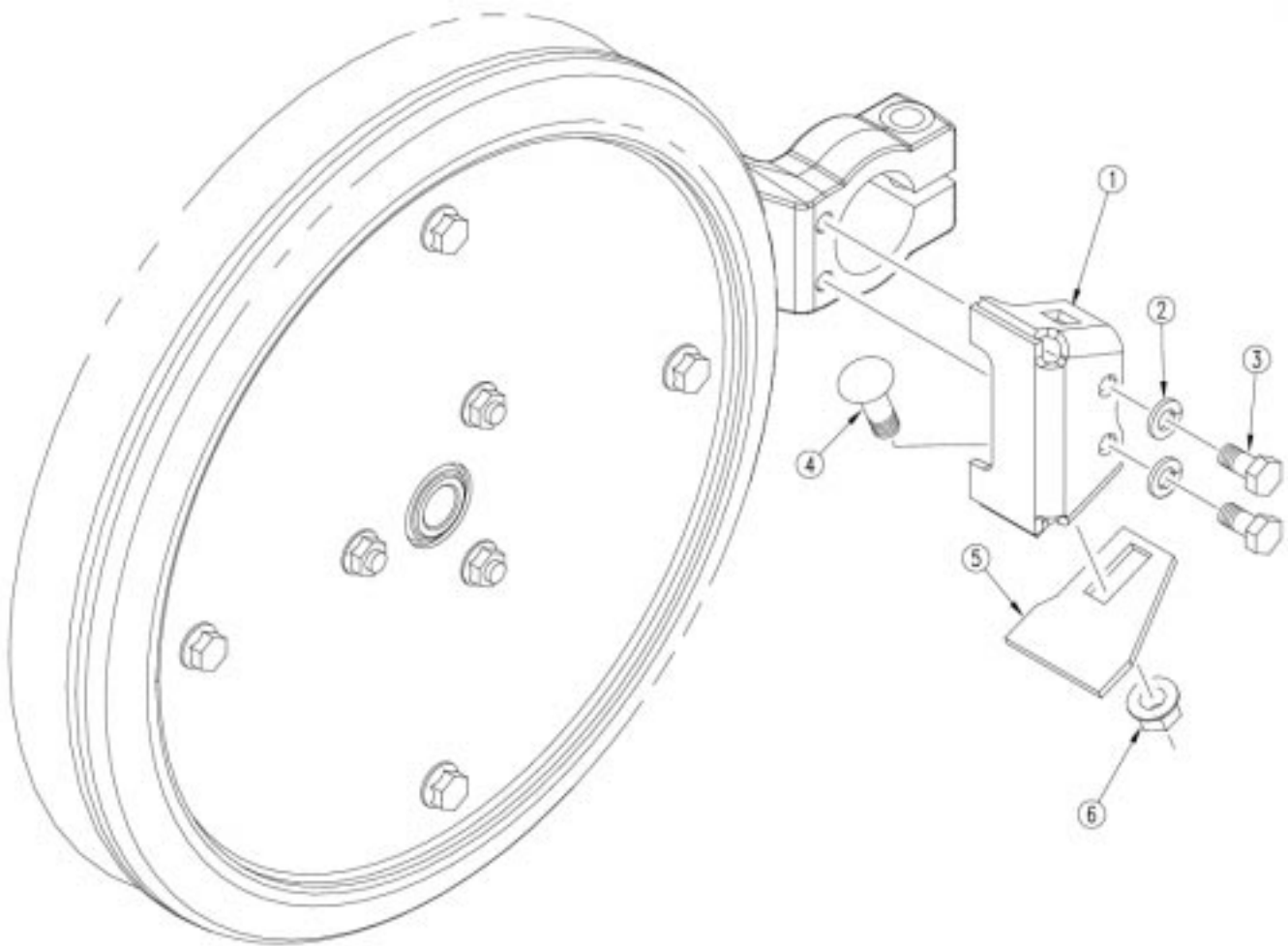


20434

Air Design Scraper (Option)

Ref.	Part No.	Part Description	Comments
1.	122-168D	10P20P AD INSIDE SCRAPER MOUNT	
2.	802-079C	HHCS 3/8-16X1 1/4 GR5	
3.	804-013C	WASHER LOCK SPRING 3/8 PLT	
4.	803-014C	NUT HEX 3/8-16 PLT	
5.	890-357C	SCRAPER-SPRING LOAD-AIR DESIGN	

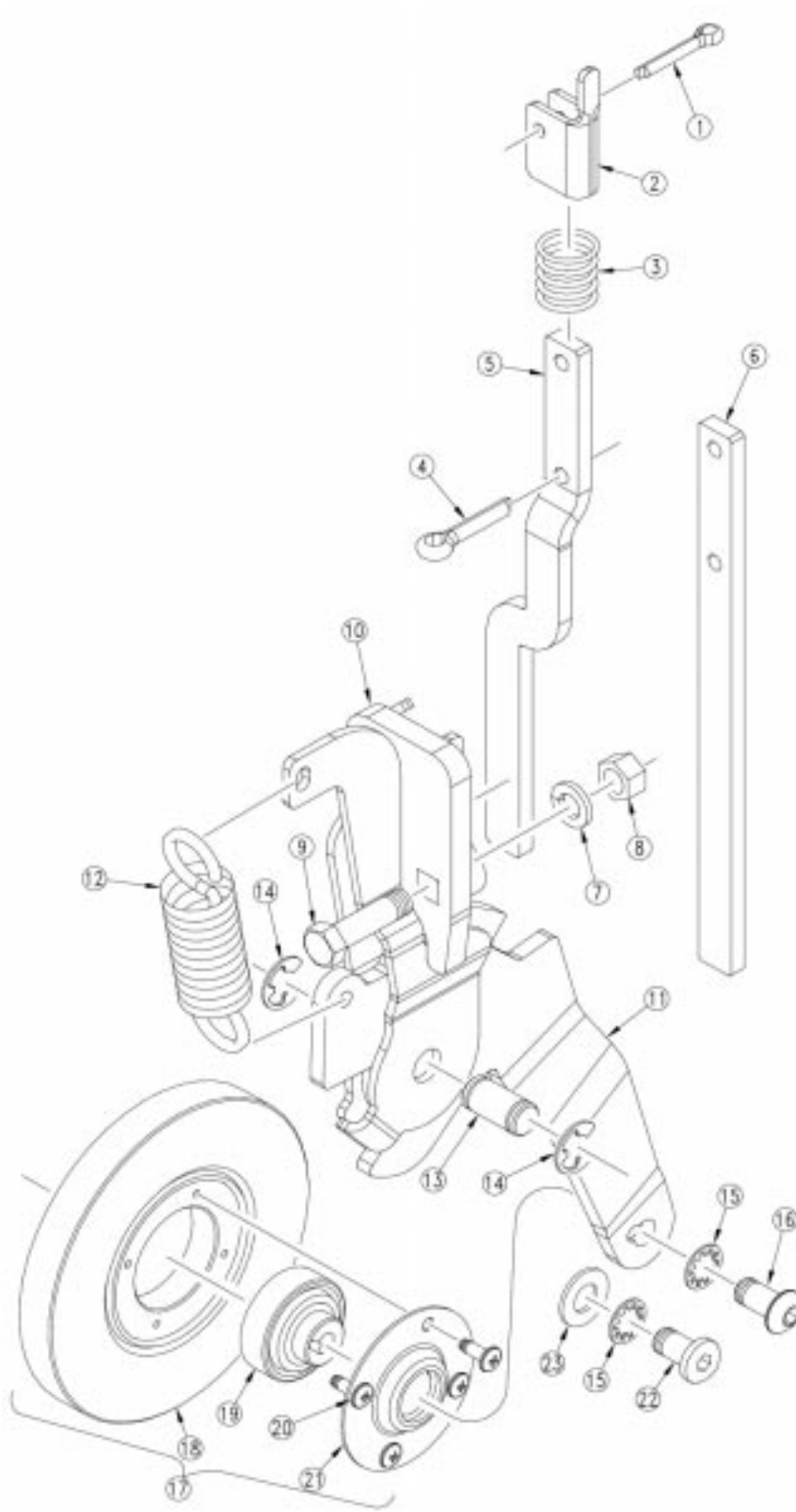
Side Wheel Scraper (Option)



Side Wheel Scraper (Option)

Ref.	Part No.	Part Description	Comments
1.	198-264D	20P SIDE WHEEL SCRAPER MOUNT	
2.	804-009C	WASHER LOCK SPRING 5/16 PLT	
3.	802-705C	HHCS 5/16-18X5/8	
4.	802-149C	RHSNB 3/8-16X3/4 GR5	
5.	198-263D	20P SIDE WHEEL SCRAPER	
6.	803-209C	NUT FLANGE LOCK 3/8-16 PLT	

10 & 20 Series Seed-Lok (Option)

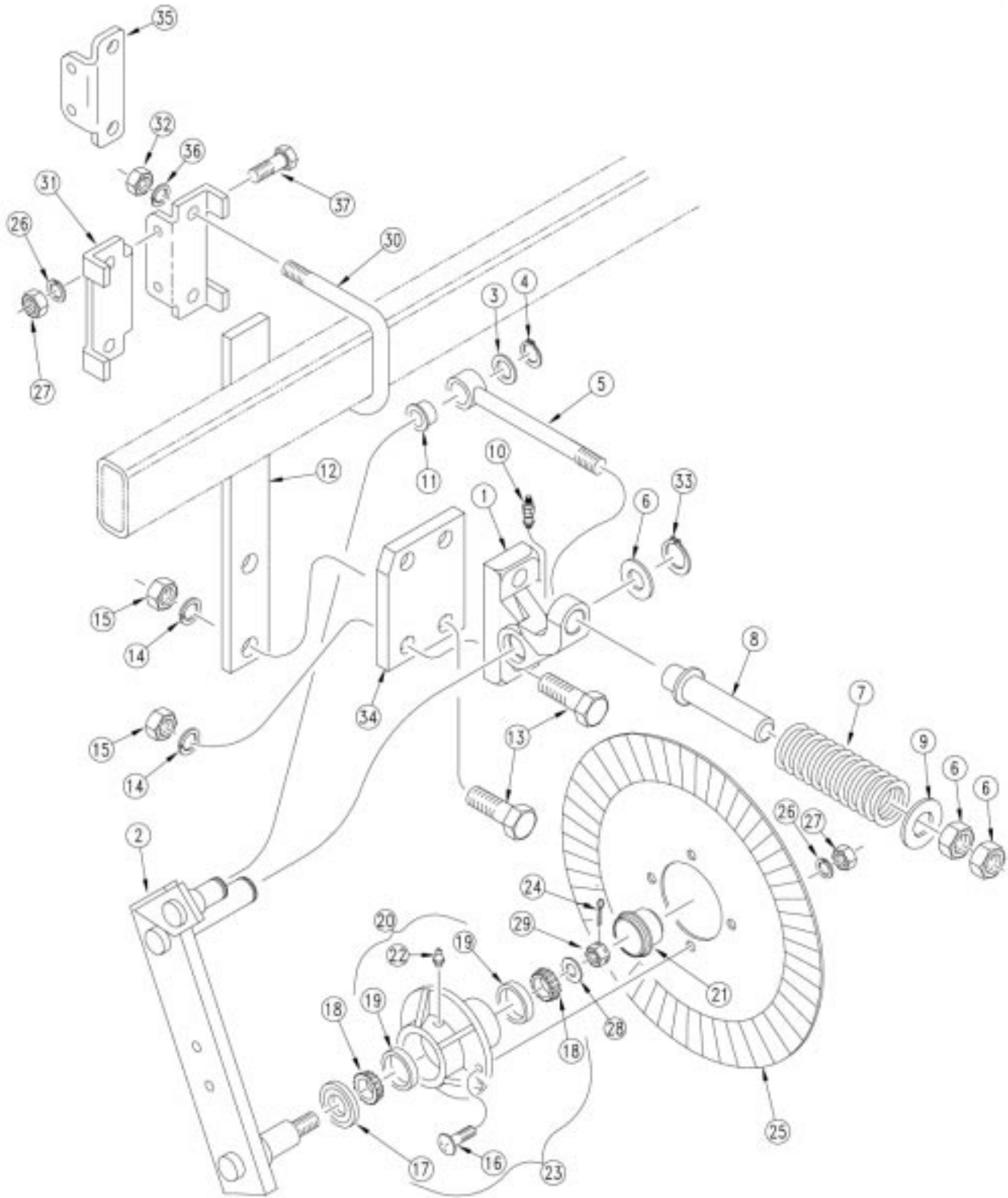


10 & 20 Series Seed-Lok (Option)

Ref.	Part No.	Part Description	Comments
1.	805-069C	PIN COTTER 3/16 X 1	
2.	122-166D	SEED LOCK LOCK-UP CAM	
3.	807-188C	SPRING COMP .85ODX2.0LGX.067W	
4.	805-020C	PIN COTTER 1/4 X 1 PLT	
5.	122-167D	10 SER SEED LOCK LOCK-UP BAR	Shown.
6.	122-165D	20 SER SEED LOCK LOCK-UP BAR	
7.	804-013C	WASHER LOCK SPRING 3/8 PLT	
8.	803-014C	NUT HEX 3/8-16 PLT	
9.	802-022C	HHCS 3/8-16X1 1/2 GR5	
10.	122-250H	SEED LOCK MOUNT, SINGULATING	
11.	122-164D	SEED LOCK ARM, SINGULATING	
12.	807-101C	SPRING, 1 O.D.X.125WIREX 3 1/2	
13.	122-120D	5 SEED-LOK WHL ARM PIVOT PIN	
14.	800-093C	SNAP RING EXT E 1/2	
15.	804-078C	WASHER INTERNAL STAR 3/8 PLT.	
16.	801-078C	SCR HX SKT BUT CP 3/8-16X3/4	20 Series only.
17.	122-201S	SD-LK 203 BEARING WHEEL ASSY	
18.	817-134C	5/8 X 5 SEED FIRING WHEEL	
19.	188-008V	BEARING 203 SEED-LOK WITH PIN	
20.	801-084C	SCR PH THD FMG #10X1/2 TP ZP	
21.	816-173C	BEARING RETAINER W/BONDED SEAL	
22.	801-141C	LHS CP 3/8-16X3/4 GR8 PLAIN	10 Series only.
23.	804-011C	WASHER FLAT 3/8 USS PLT	10 Series only.

Legend: ● = 1st revision; ● = 2nd revision; ● = 3rd revision; ● = use up existing stock; ⊗ = not interchangeable; ⊗ ① ● = for example: revision 2 is not interchangeable w/revision 1

Coulters

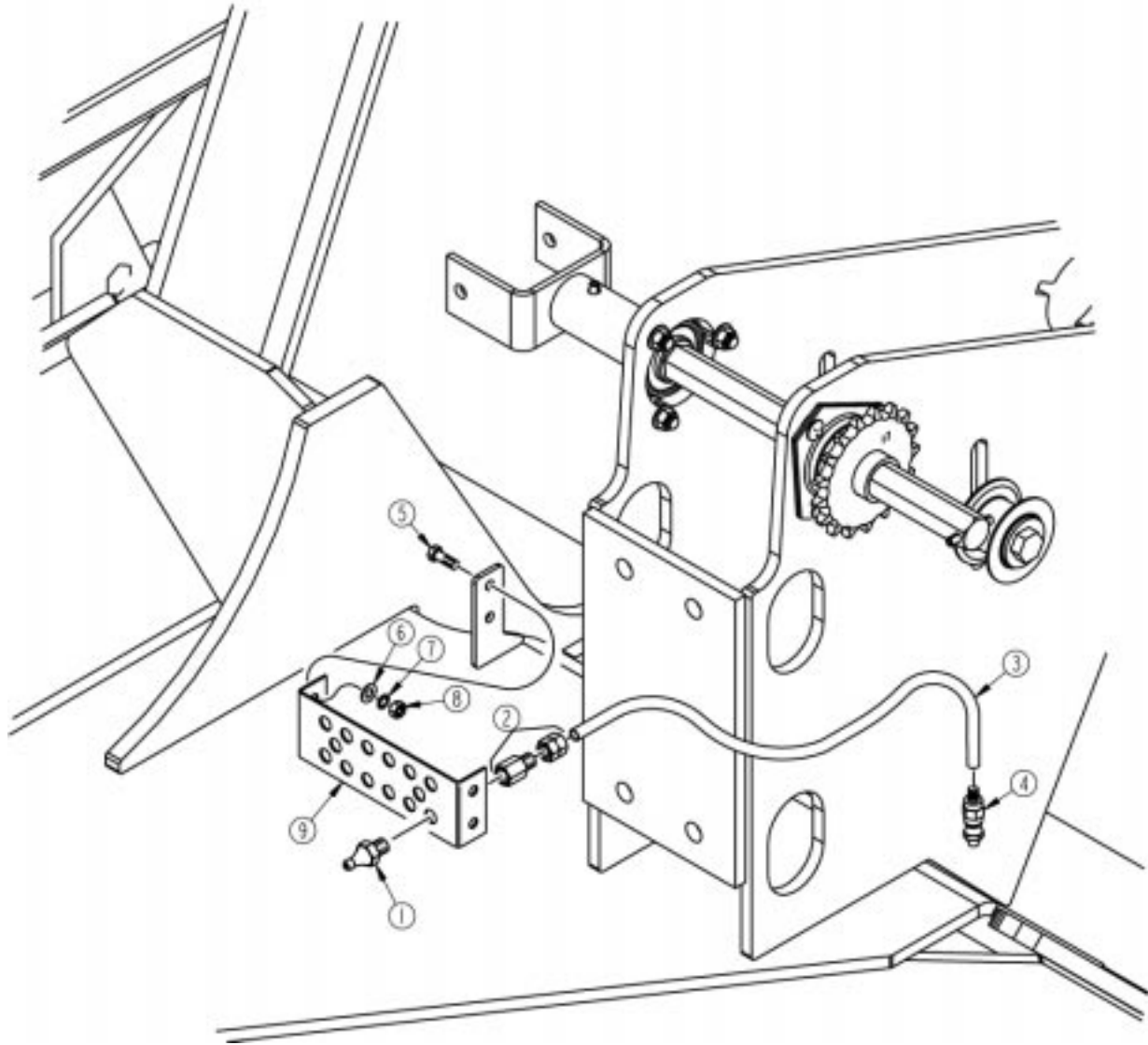


Coulters

Ref.	Part No.	Part Description	Comments
1.	249-050S	CLTR CASTING ASSY	
2.	249-051H	CLTR SWING ARM WLMT	
3.	804-156C	WASHER MACH 1 1/4X3/4X14GA	
4.	800-164C	SNAP RING 3/4 EXTERNAL HEAVY	
5.	802-718C	EYE BOLT 3/4-10X14 3/4 LG SP	
6.	804-165C	WASHER MACH 1 7/8X1 1/4X 14GA	
7.	149-559D	SPRING 2.25 O.D. X .5 COIL	
8.	805-331C	COULTER SPRING GUIDE TUBE	
9.	149-558D	COULTER SPRING WASHER	
10.	800-211C	GREASE ADAPT 1/4-28M X 1/4 TB	
11.	817-513C	BUSHING 1X3/4X1 1/8 FLG HD	
12.	204-295D	COULTER SPRING BAR 14 3/4 BLK	
13.	802-332C	HHCS 7/8-9X3 GR5	
14.	804-037C	WASHER LOCK SPRING 7/8 PLT	
15.	803-049C	NUT HEX 7/8-9 PLT	
16.	802-214C	RHSNB 1/2-13X1 1/4 GR5	
17.	816-009C	OIL SEAL DOUBLE LIP	
18.	822-021C	BEARING CONE LM-67048	
19.	822-020C	BEARING CUP LM-67010	
20.	200-039V	COULTER HUB & CUP ASSY	Includes items 19,22
21.	200-001D	HUB GREASE CAP	
22.	800-001C	GREASE ZERK STRAIGHT 1/4-28	
23.	200-002S	COULTER HUB PACKAGE	Includes items 16,17,18,20
24.	805-017C	PIN COTTER 3/16 X 1 3/4 PLT	
25.	820-018C	COULTER BLADE FLUTED	
	820-116C	17 COULTER BLADE 5/8 WAVY	
	820-082C	17 COULTER BLADE 3/4 WAVY	
	820-156C	5/8 WAVY TURBO BLADE	
26.	804-015C	WASHER LOCK SPRING 1/2 PLT	
27.	803-020C	NUT HEX 1/2-13 PLT	
28.	804-055C	WASHER SPINDLE - 7/8	
29.	803-029C	NUT HEX SLOTTED 7/8-14 PLT	
30.	806-106C	U-BOLT 5/8-11 X 4 1/32 X 4	
31.	149-059D	COULTER CLAMP BAR	
32.	803-021C	NUT HEX 5/8-11 PLT	
33.	800-177C	SNAP RING EXT 1 1/4 HEAVY	
34.	149-086D	OFFSET COULTER MOUNT PLATE	
35.	197-010D	OFFSET COULTER BRKT F/LH BOX	
36.	804-022C	WASHER LOCK SPRING 5/8 PLT	
37.	802-082C	HHCS 1/2-13X1 3/4 GR5	

Legend: ● = 1st revision; ● = 2nd revision; ● = 3rd revision; ● = use up existing stock; ⊗ = not interchangeable; ⊗ ① ● = for example: revision 2 is not interchangeable w/revision 1

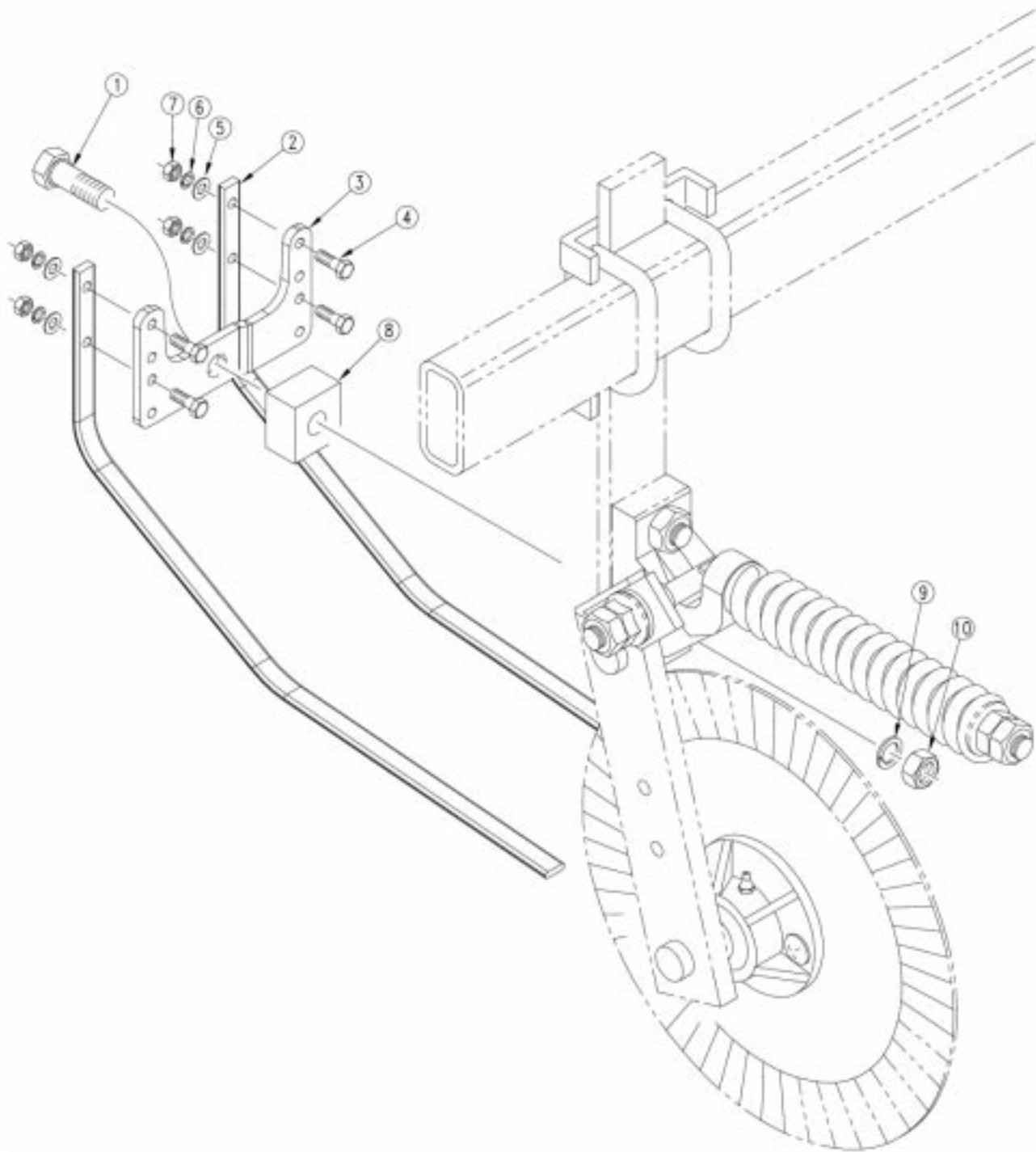
Grease Bank



Grease Bank

Ref.	Part No.	Part Description	Comments
1.	800-130C	GREASE ZERK STRAIGHT 1/8-27NPT	
2.	800-158C	FTG TUBE,CONNECTOR 1/8 FNPT	
3.	990-109R	TUBE NYLON 1/4OD X 062WL	
4.	800-211C	GREASE ADAPT 1/4-28M X 1/4 TB	
5.	802-004C	HHCS 1/4-20X3/4 GR5	
6.	804-007C	WASHER FLAT 1/4 SAE PLT	
7.	804-006C	WASHER LOCK SPRING 1/4 PLT	
8.	803-006C	NUT HEX 1/4-20 PLT	
9.	197-194D	GREASE BANK MOUNT	

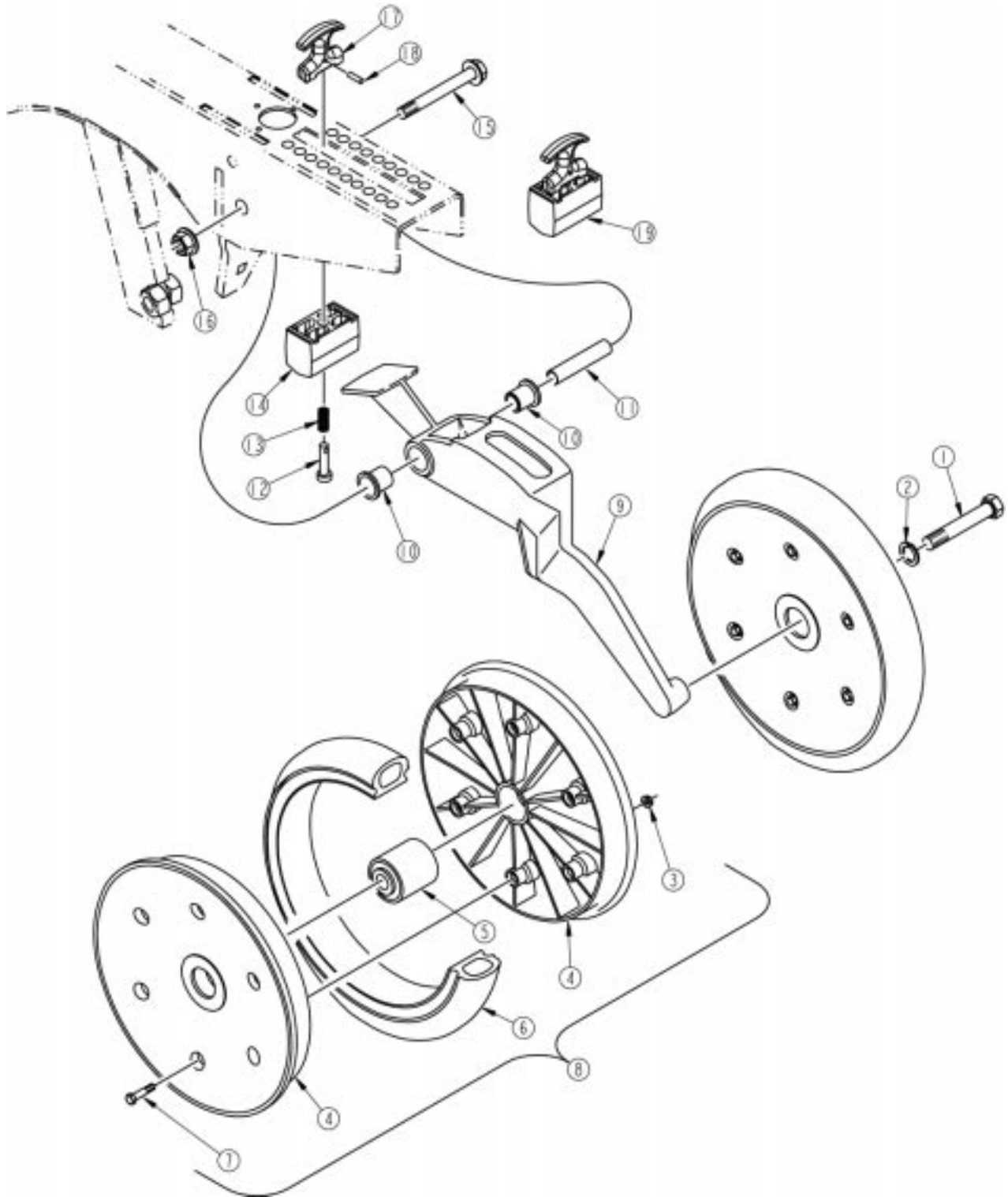
Coulter Tine (Option)



Coulter Tine (Option)

Ref.	Part No.	Part Description	Comments
1.	802-126C	HHCS 7/8-9X3 1/2 GR5	Use with part number 196-602D.
	802-178C	HHCS 7/8-9X5 1/2 GR5	
2.	820-114C	2SNT COULTER TINE	
3.	149-570D	COULTER TINE MOUNT PLATE REAR	
4.	802-079C	HHCS 3/8-16X1 1/4 GR5	
5.	804-011C	WASHER FLAT 3/8 USS PLT	
6.	804-013C	WASHER LOCK SPRING 3/8 PLT	
7.	803-014C	NUT HEX 3/8-16 PLT	
8.	196-602D	COULTER TINE OFFST MNT SPACER	Used with offset coulter mounts only.
9.	804-037C	WASHER LOCK SPRING 7/8 PLT	
10.	803-049C	NUT HEX 7/8-9 PLT	

2" x 13" Single Press Wheel

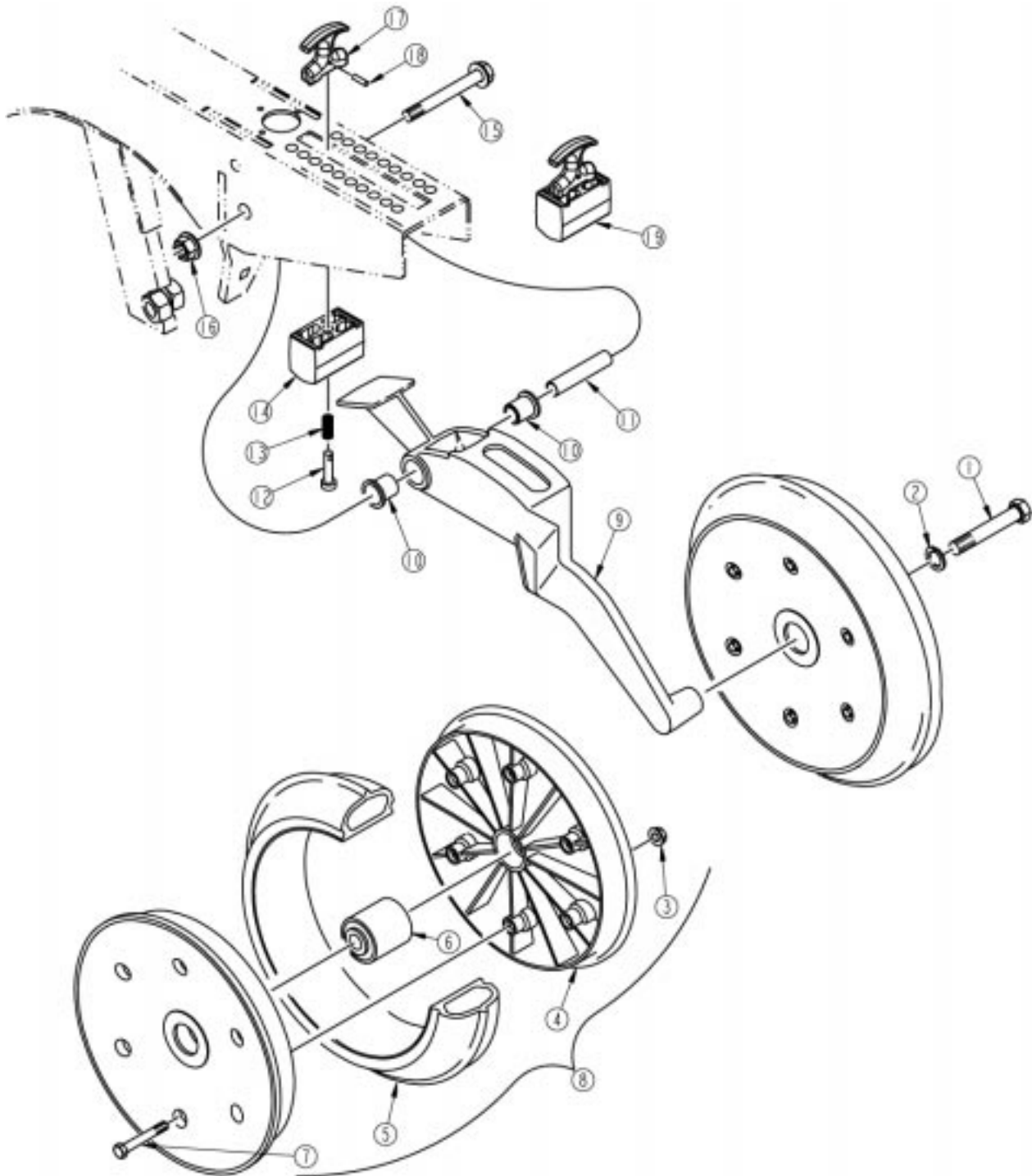


2" x 13" Single Press Wheel

Ref.	Part No.	Part Description	Comments
1.	802-058C	HHCS 5/8-11X2 1/2 GR5	
2.	804-022C	WASHER LOCK SPRING 5/8 PLT	
3.	803-088C	NUT HEX LOCK 1/4-20 FLG	
4.	817-296C	2 X 13 PRESS WHEEL RIM HALF	
5.	822-170C	BEARING PRESS WHEEL ASSEMBLY	
6.	814-159C	2 X 13 PRESS WHEEL TIRE	
7.	802-617C	HHFS 1/4-20 X 1 1/2 GR 5	
8.	814-157C	2 X 13 PRESS WHEEL ASSEMBLY	
9.	199-042D	UNIVERSAL PW ARM MACH 2&3X13	
10.	817-084C	PARALLEL ARM PIVOT BUSHING	
11.	198-137D	PRESS WHEEL PIVOT TUBE	
12.	805-154C	PIN CLEVIS 3/8 X 2 1/8 USABLE	
13.	807-106C	SPRING .540 O.D.X 1 1/4 X.054W	
14.	817-347C	OPENER TRUNION	
15.	802-421C	HFS 1/2-13X3 3/4 GR5 SPTHD	
16.	803-169C	NUT HEX FLG. LOCK 1/2-13 PLT.	
17.	817-328C	T-HANDLE ASSEMBLY	
18.	805-186C	PIN ROLL 5/32 X 5/8 PLT	
19.	122-202S	PW ADJUSTMENT TRUNNION ASSY	Includes 12,13,14,17 & 18.

Legend: ● = 1st revision; ● = 2nd revision; ● = 3rd revision; ● = use up existing stock; ⊗ = not interchangeable; ⊗ ① ● = for example: revision 2 is not interchangeable w/revision 1

3" x 13" Single Press Wheel

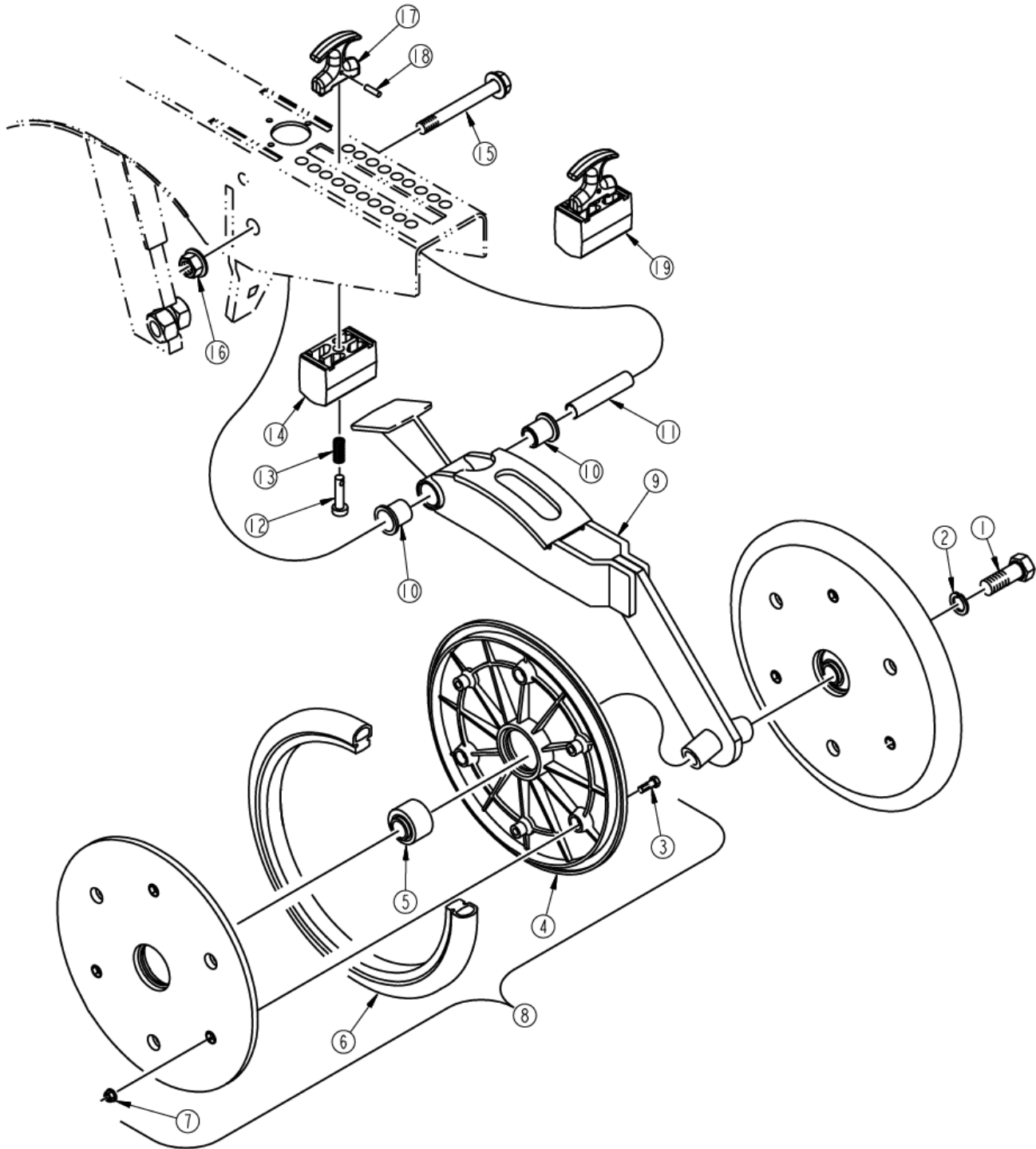


3" x 13" Single Press Wheel

Ref.	Part No.	Part Description	Comments
1.	802-058C	HHCS 5/8-11X2 1/2 GR5	
2.	804-022C	WASHER LOCK SPRING 5/8 PLT	
3.	803-088C	NUT HEX LOCK 1/4-20 FLG	
4.	817-297C	3 X 13 PRESS WHEEL RIM HALF	
5.	814-160C	3 X 13 PRESS WHEEL TIRE	
6.	822-170C	BEARING PRESS WHEEL ASSEMBLY	
7.	802-618C	HHFS 1/4-20 X 2 GR 5	
8.	814-158C	3 X 13 PRESS WHEEL ASSEMBLY	
9.	199-042D	UNIVERSAL PW ARM MACH 2&3X13	
10.	817-084C	PARALLEL ARM PIVOT BUSHING	
11.	198-137D	PRESS WHEEL PIVOT TUBE	
12.	805-154C	PIN CLEVIS 3/8 X 2 1/8 USABLE	
13.	807-106C	SPRING .540 O.D.X 1 1/4 X.054W	
14.	817-347C	OPENER TRUNION	
15.	802-421C	HFS 1/2-13X3 3/4 GR5 SPTHD	
16.	803-169C	NUT HEX FLG. LOCK 1/2-13 PLT.	
17.	817-328C	T-HANDLE ASSEMBLY	
18.	805-186C	PIN ROLL 5/32 X 5/8 PLT	
19.	122-202S	PW ADJUSTMENT TRUNNION ASSY	Includes 12,13,14,17 & 18.

Legend: ● = 1st revision; ● = 2nd revision; ● = 3rd revision; ● = use up existing stock; ⊗ = not interchangeable; ⊗ ① ● = for example: revision 2 is not interchangeable w/revision 1

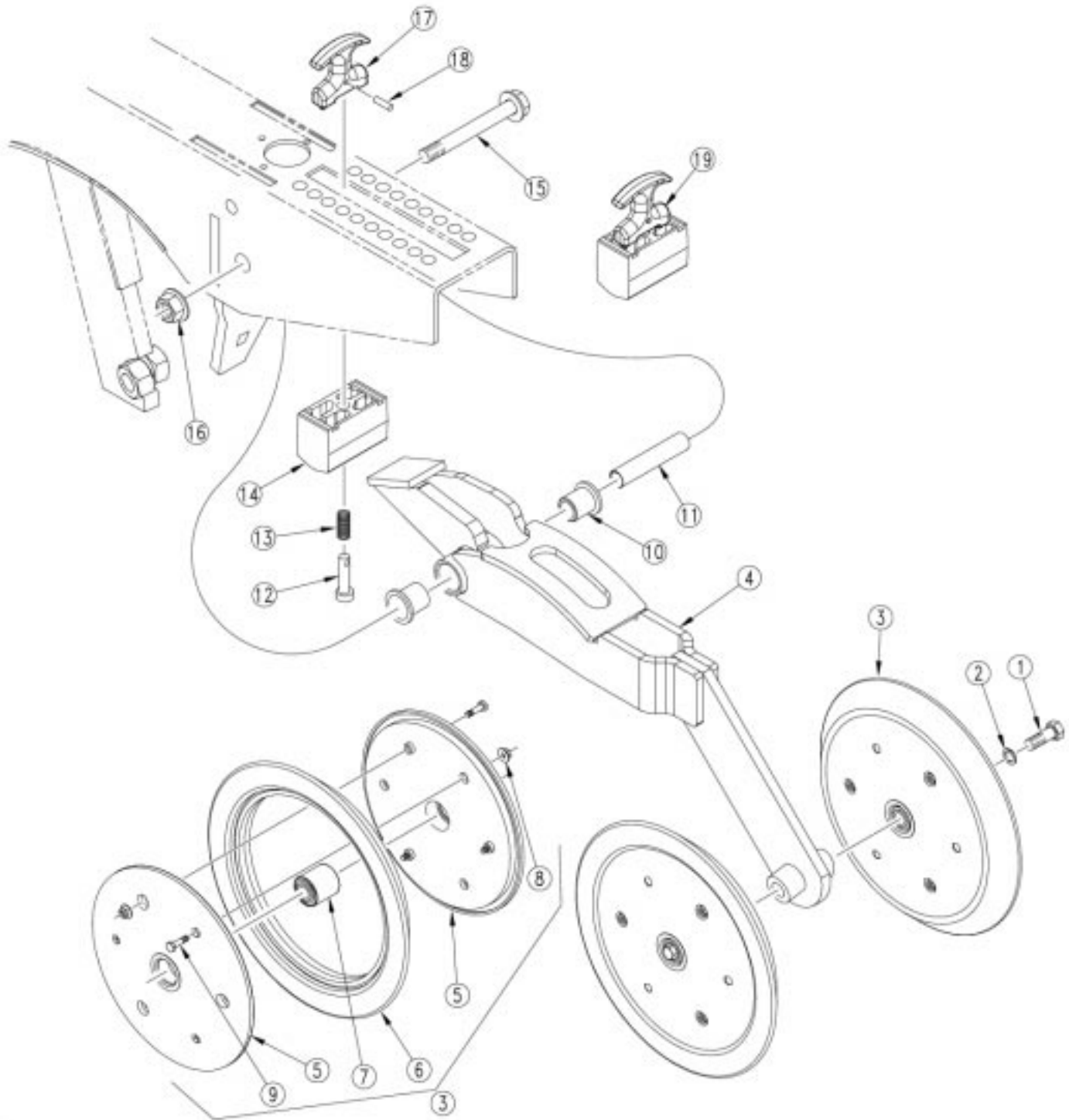
1" x 12" Double "V" Press Wheel



1" x 12" Double "V" Press Wheel

Ref.	Part No.	Part Description	Comments
1.	802-058C	HHCS 5/8-11X2 1/2 GR5	
2.	804-022C	WASHER LOCK SPRING 5/8 PLT	
3.	802-005C	HHCS 1/4-20X1 GR5	
4.	817-330C	1 X 12 PRESS WHEEL RIM HALF	
5.	822-170C	BEARING PRESS WHEEL ASSEMBLY	
6.	814-034C	TIRE RUBBER 1 X 12	
7.	803-088C	NUT HEX LOCK 1/4-20 FLG	
8.	814-174C	1 X 12 PRESS WHL ASSY-5203BRG	
9.	199-022H	98 1X12 PRESS WHEEL WELDMENT	
10.	817-084C	PARALLEL ARM PIVOT BUSHING	
11.	198-137D	PRESS WHEEL PIVOT TUBE	
12.	805-154C	PIN CLEVIS 3/8 X 2 1/8 USABLE	
13.	807-106C	SPRING .540 O.D.X 1 1/4 X.054W	
14.	817-347C	OPENER TRUNION	
15.	802-421C	HFS 1/2-13X3 3/4 GR5 SPTHD	
16.	803-169C	NUT HEX FLG. LOCK 1/2-13 PLT.	
17.	817-328C	T-HANDLE ASSEMBLY	
18.	805-186C	PIN ROLL 5/32 X 5/8 PLT	
19.	122-202S	PW ADJUSTMENT TRUNNION ASSY	Includes 12,13,14,17 & 18.

1 1/4" x 13 1/2" Double Press Whee

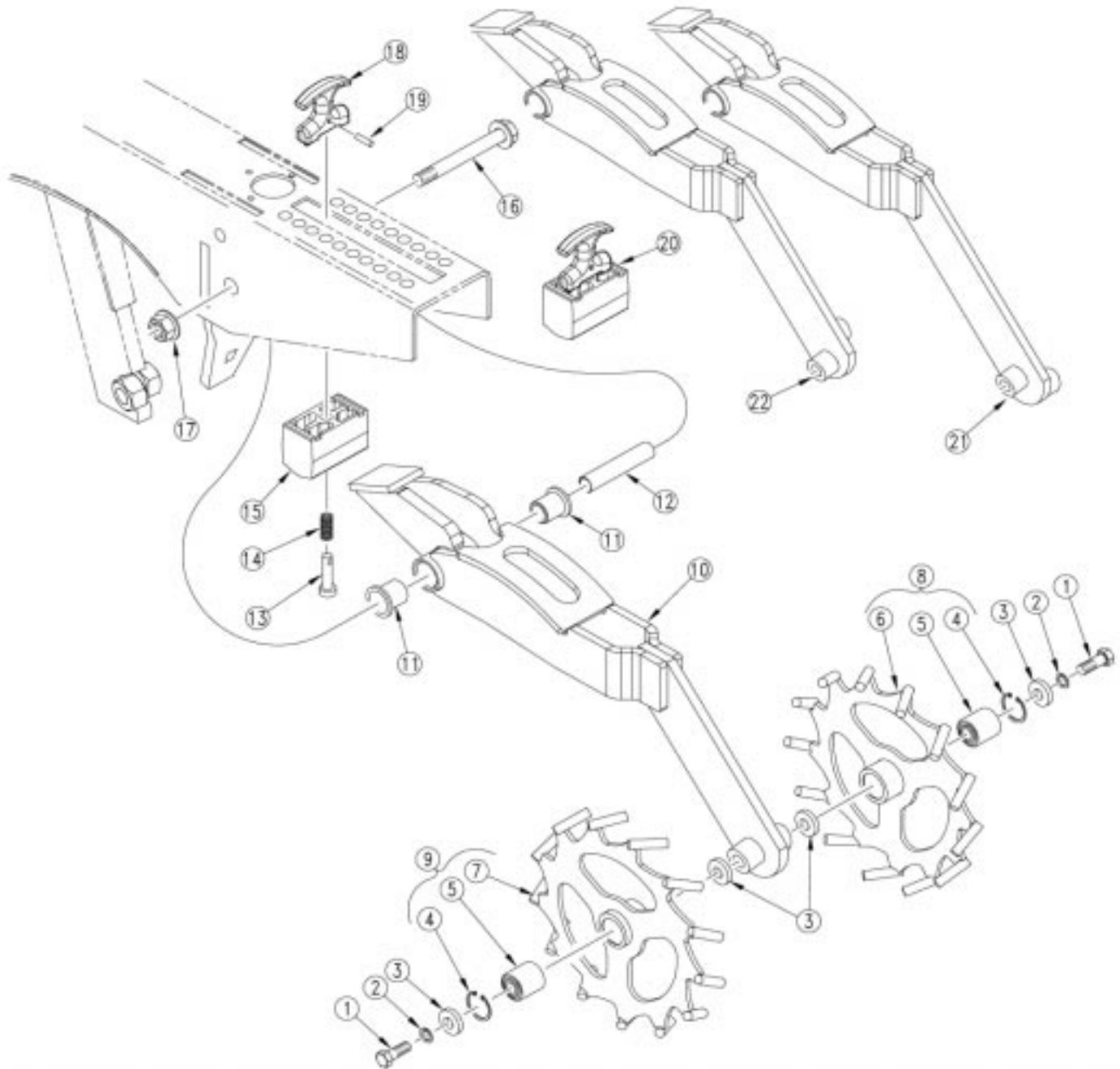


1 1/4" x 13 1/2" Double Press Whee

Ref.	Part No.	Part Description	Comments
1.	802-058C	HHCS 5/8-11X2 1/2 GR5	
2.	804-022C	WASHER LOCK SPRING 5/8 PLT	
3.	814-238C	1.25 X 13.5 PRESS WHEEL ASSY	Includes items 5-9.
4.	Ⓢ 199-065H	DOUBLE PRESS WHEEL ARM WLD RH	(S/N 10002UU+) For Front Openers
	Ⓢ 199-066H	DOUBLE PRESS WHEEL ARM WLD LH	(S/N 10002UU+) For Rear Openers
	Ⓢ 199-038H	DOUBLE PRESS WHEEL ARM WLDMT	(S/N 10001UU-)
5.	817-330C	1 X 12 PRESS WHEEL RIM HALF	
6.	814-244C	1.25 X 13.5 PRESS WHEEL TIRE	
7.	822-170C	BEARING PRESS WHEEL ASSEMBLY	
8.	803-088C	NUT HEX LOCK 1/4-20 FLG	
9.	802-005C	HHCS 1/4-20X1 GR5	
10.	817-084C	PARALLEL ARM PIVOT BUSHING	
11.	198-137D	PRESS WHEEL PIVOT TUBE	
12.	805-154C	PIN CLEVIS 3/8 X 2 1/8 USABLE	
13.	807-106C	SPRING .540 O.D.X 1 1/4 X.054W	
14.	817-347C	OPENER TRUNION	
15.	802-421C	HFS 1/2-13X3 3/4 GR5 SPTHD	
16.	803-169C	NUT HEX FLG. LOCK 1/2-13 PLT.	
17.	817-328C	T-HANDLE ASSEMBLY	
18.	805-186C	PIN ROLL 5/32 X 5/8 PLT	
19.	122-202S	PW ADJUSTMENT TRUNNION ASSY	Includes items 12-14, 17 & 18.

Legend: Ⓢ = 1st revision; Ⓢ = 2nd revision; Ⓢ = 3rd revision; ● = use up existing stock; ⊗ = not interchangeable; ⊗ Ⓢ = for example: revision 2 is not interchangeable w/revision 1

2" x 12 1/2" Double Press Wheel

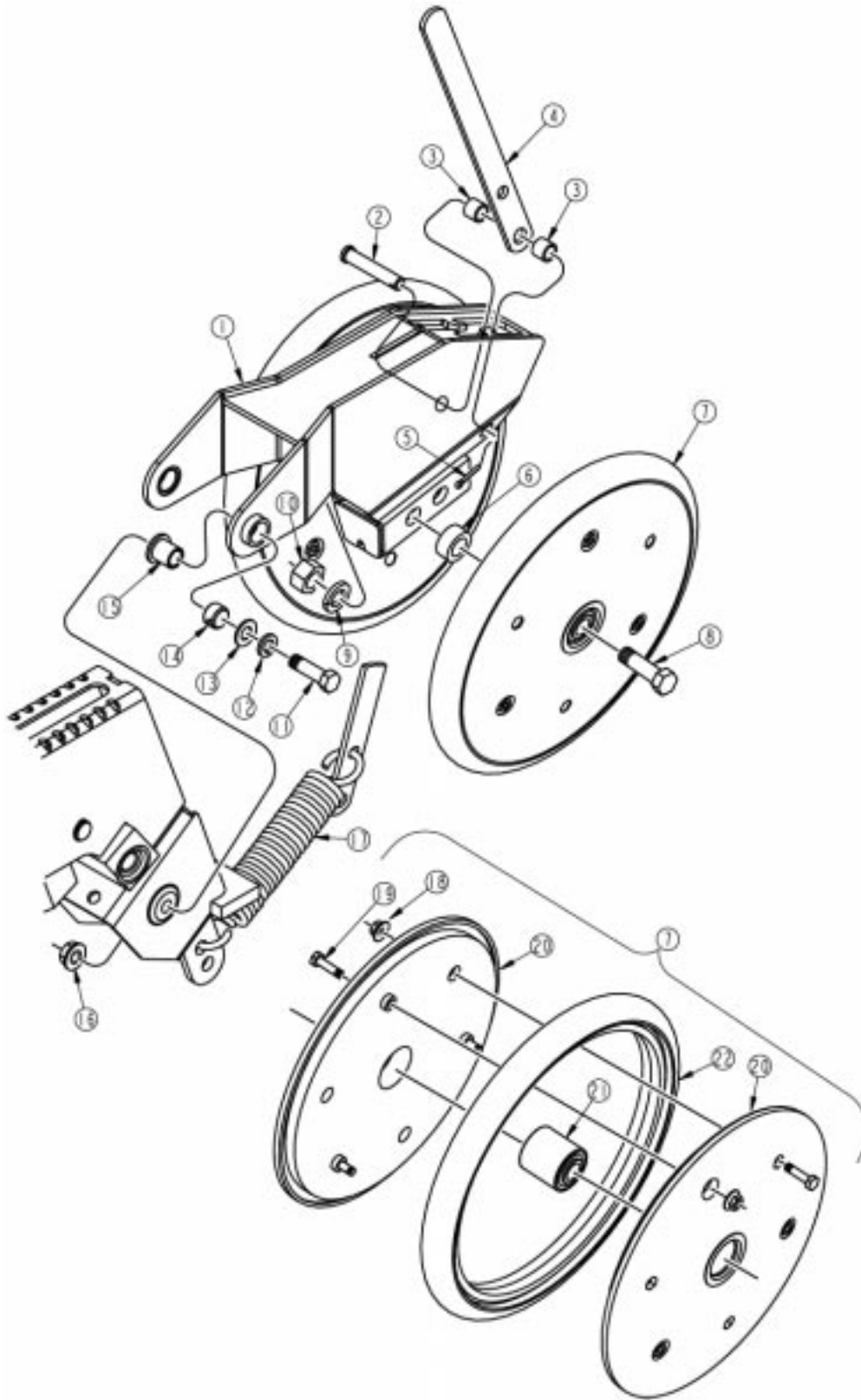


2" x 12 1/2" Double Press Wheel

Ref.	Part No.	Part Description	Comments
1.	802-059C	HHCS 5/8-11X3 GR5	
2.	804-022C	WASHER LOCK SPRING 5/8 PLT	
3.	405-031D	1/4 PW SPACER 5/8 DIA	
4.	800-054C	SNAP RING INT 40 MM	
5.	822-170C	BEARING PRESS WHEEL ASSEMBLY	
6.	199-040H	2X12.5 CLOSING WHEEL WLDMT RH	
7.	199-039H	2X12.5 CLOSING WHEEL WLDMT LH	
8.	199-042S	2X12.5 CLOSING WHEEL ASSY RH	Must use with item # 10
9.	199-041S	2X12.5 CLOSING WHEEL ASSY LH	Must use with item # 10
10.	Ⓢ 199-065H	DOUBLE PRESS WHEEL ARM WLD RH	(S/N 10002UU+) For Front Openers
	Ⓢ 199-066H	DOUBLE PRESS WHEEL ARM WLD LH	(S/N 10002UU+) For Rear Openers
	Ⓢ 199-038H	DOUBLE PRESS WHEEL ARM WLDMT	(S/N 10001UU-)
11.	817-084C	PARALLEL ARM PIVOT BUSHING	
12.	198-137D	PRESS WHEEL PIVOT TUBE	
13.	805-154C	PIN CLEVIS 3/8 X 2 1/8 USABLE	
14.	807-106C	SPRING .540 O.D.X 1 1/4 X.054W	
15.	817-347C	OPENER TRUNION	
16.	802-421C	HFS 1/2-13X3 3/4 GR5 SPTHD	
17.	803-169C	NUT HEX FLG. LOCK 1/2-13 PLT.	
18.	817-328C	T-HANDLE ASSEMBLY	
19.	805-186C	PIN ROLL 5/32 X 5/8 PLT	
20.	122-202S	PW ADJUSTMENT TRUNNION ASSY	Includes items 13-15, 18 & 19

Legend: Ⓢ = 1st revision; Ⓢ = 2nd revision; Ⓢ = 3rd revision; ● = use up existing stock; ⊗ = not interchangeable; ⊗ Ⓢ = for example: revision 2 is not interchangeable w/revision 1

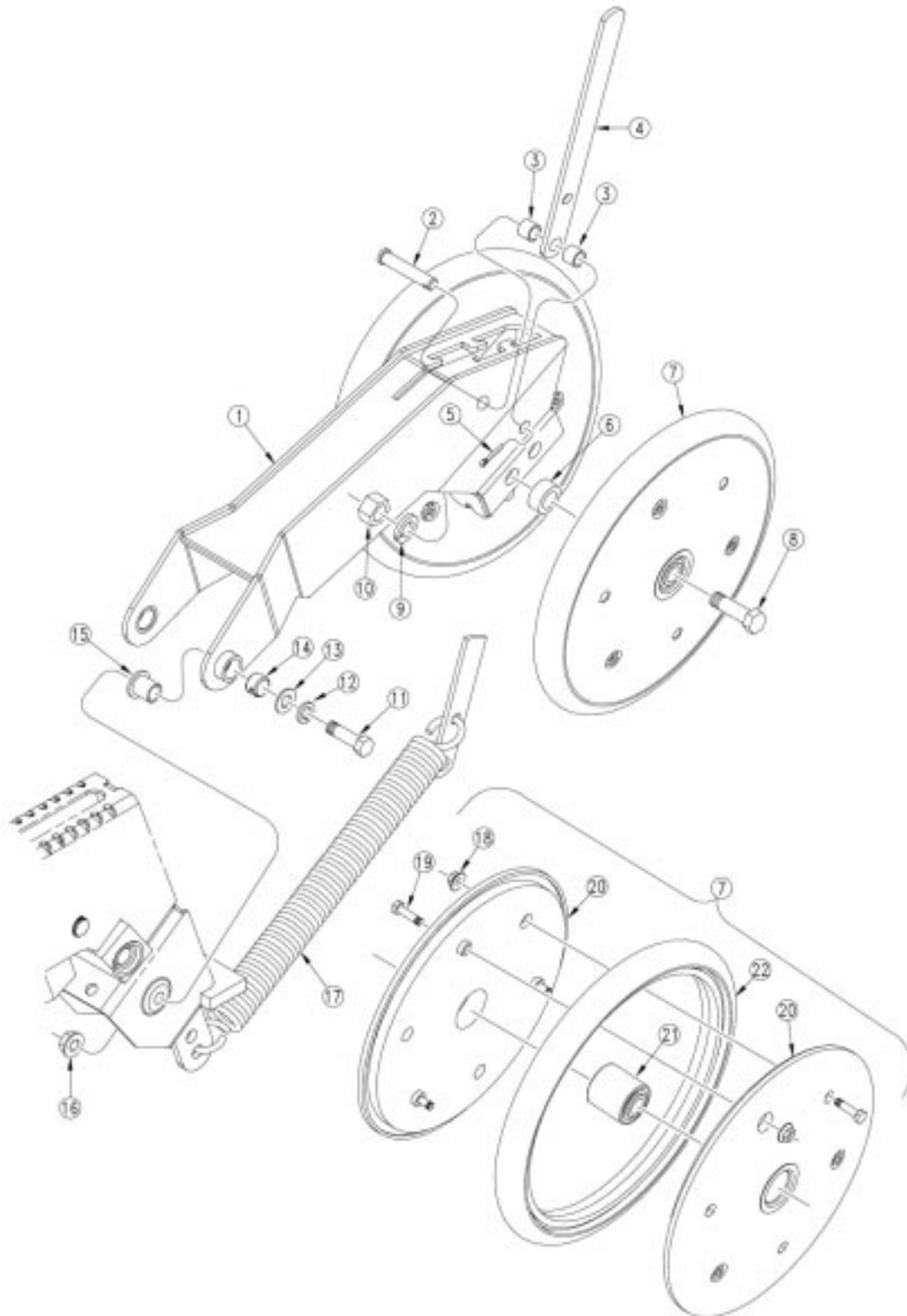
1" x 12" Double "V" Press Wheel Short



1" x 12" Double "V" Press Wheel Short

Ref.	Part No.	Part Description	Comments
1.	199-025H	SHORT 1X12 SING OPNR PW MOUNT	
2.	805-304C	PIN CLEVIS 7/16 X 2 25/64 USBL	
3.	199-050D	LONG 1X12 PW HANDLE SPACER TB	
4.	199-011D	PW SPRING HANDLE	
5.	805-067C	PIN COTTER 1/8 X 3/4	
6.	199-036D	1X12 PW 1/2 SPACER	
7.	814-174C	1 X 12 PRESS WHL ASSY-5203BRG	
8.	802-160C	HHCS 5/8-11X3 1/4 GR5	
9.	804-022C	WASHER LOCK SPRING 5/8 PLT	
10.	803-021C	NUT HEX 5/8-11 PLT	
11.	802-029C	HHCS 7/16-14X1 1/2 GR5	
12.	804-014C	WASHER LOCK 7/16 PLT	
13.	804-041C	WASHER FLAT 7/16 SAE PLT	
14.	890-598C	BUSHING 3/4OD X 5/8ID X 1/2 LG	
15.	890-524C	20 SER PW ARM PIVOT SPACER TB	
16.	803-229C	NUT HEX FLANGE LOC 7/16-14 PLT	
17.	807-088C	SPRING EXT 1 5/8 OD X 8.2	
18.	803-088C	NUT HEX LOCK 1/4-20 FLG	
19.	802-005C	HHCS 1/4-20X1 GR5	
20.	817-330C	1 X 12 PRESS WHEEL RIM HALF	
21.	822-170C	BEARING PRESS WHEEL ASSEMBLY	
22.	814-034C	TIRE RUBBER 1 X 12	

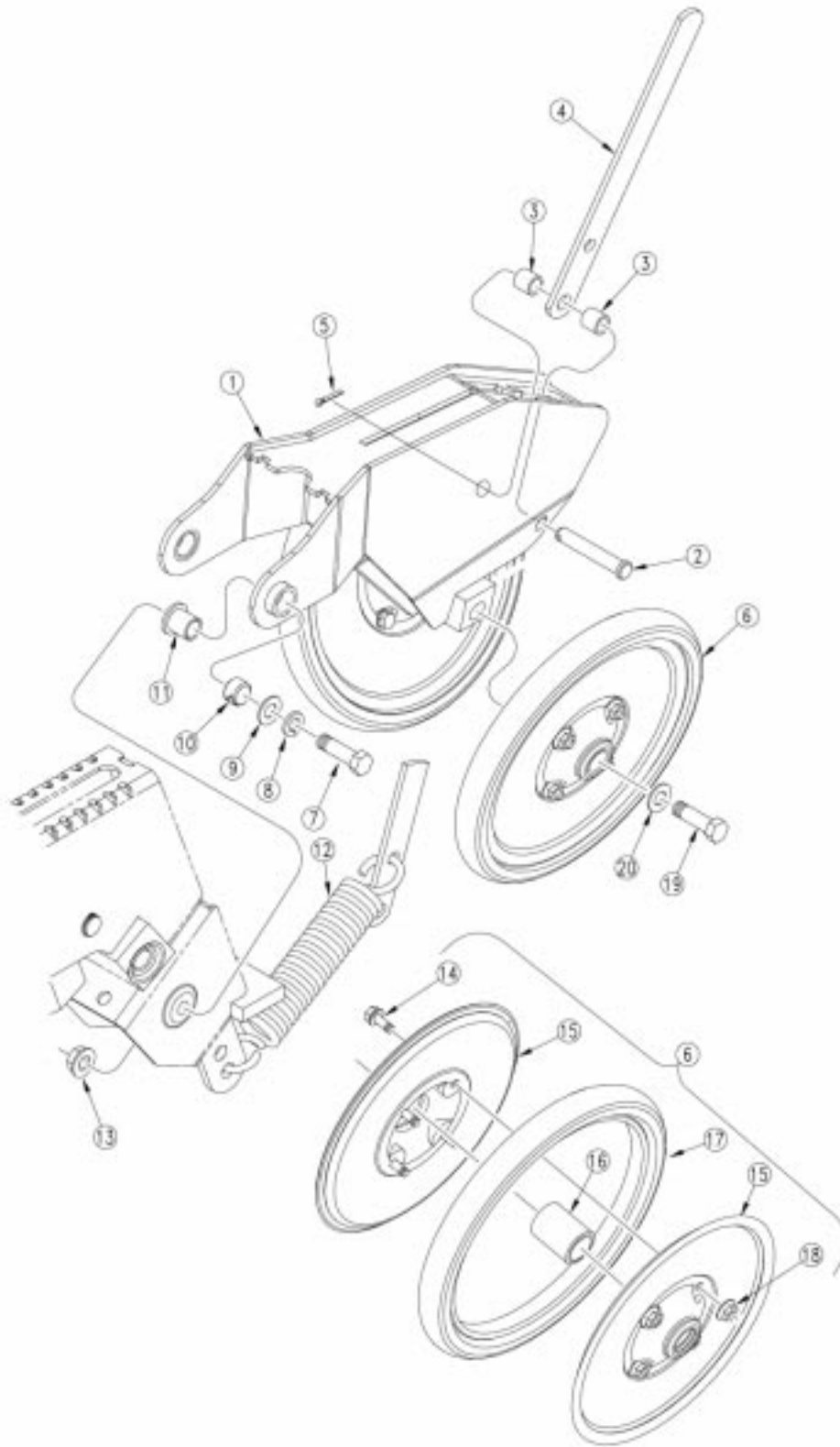
1" x 12" Double "V" Press Wheel Long



1" x 12" Double "V" Press Wheel Long

Ref.	Part No.	Part Description	Comments
1.	199-024H	LONG 1X12 SING OPENER PW MOUNT	
2.	805-295C	PIN CLEVIS 7/16 X 2 9/64 USABL	
3.	199-050D	LONG 1X12 PW HANDLE SPACER TB	
4.	199-011D	PW SPRING HANDLE	
5.	805-067C	PIN COTTER 1/8 X 3/4	
6.	199-036D	1X12 PW 1/2 SPACER	
7.	814-174C	1 X 12 PRESS WHL ASSY-5203BRG	
8.	802-160C	HHCS 5/8-11X3 1/4 GR5	
9.	804-022C	WASHER LOCK SPRING 5/8 PLT	
10.	803-021C	NUT HEX 5/8-11 PLT	
11.	802-029C	HHCS 7/16-14X1 1/2 GR5	
12.	804-014C	WASHER LOCK 7/16 PLT	
13.	804-041C	WASHER FLAT 7/16 SAE PLT	
14.	890-598C	BUSHING 3/4OD X 5/8ID X 1/2 LG	
15.	890-524C	20 SER PW ARM PIVOT SPACER TB	
16.	803-229C	NUT HEX FLANGE LOC 7/16-14 PLT	
17.	807-184C	SPRING EXT 1.5OD X .25 X 11.25	
18.	803-088C	NUT HEX LOCK 1/4-20 FLG	
19.	802-005C	HHCS 1/4-20X1 GR5	
20.	817-330C	1 X 12 PRESS WHEEL RIM HALF	
21.	822-170C	BEARING PRESS WHEEL ASSEMBLY	
22.	814-034C	TIRE RUBBER 1 X 12	

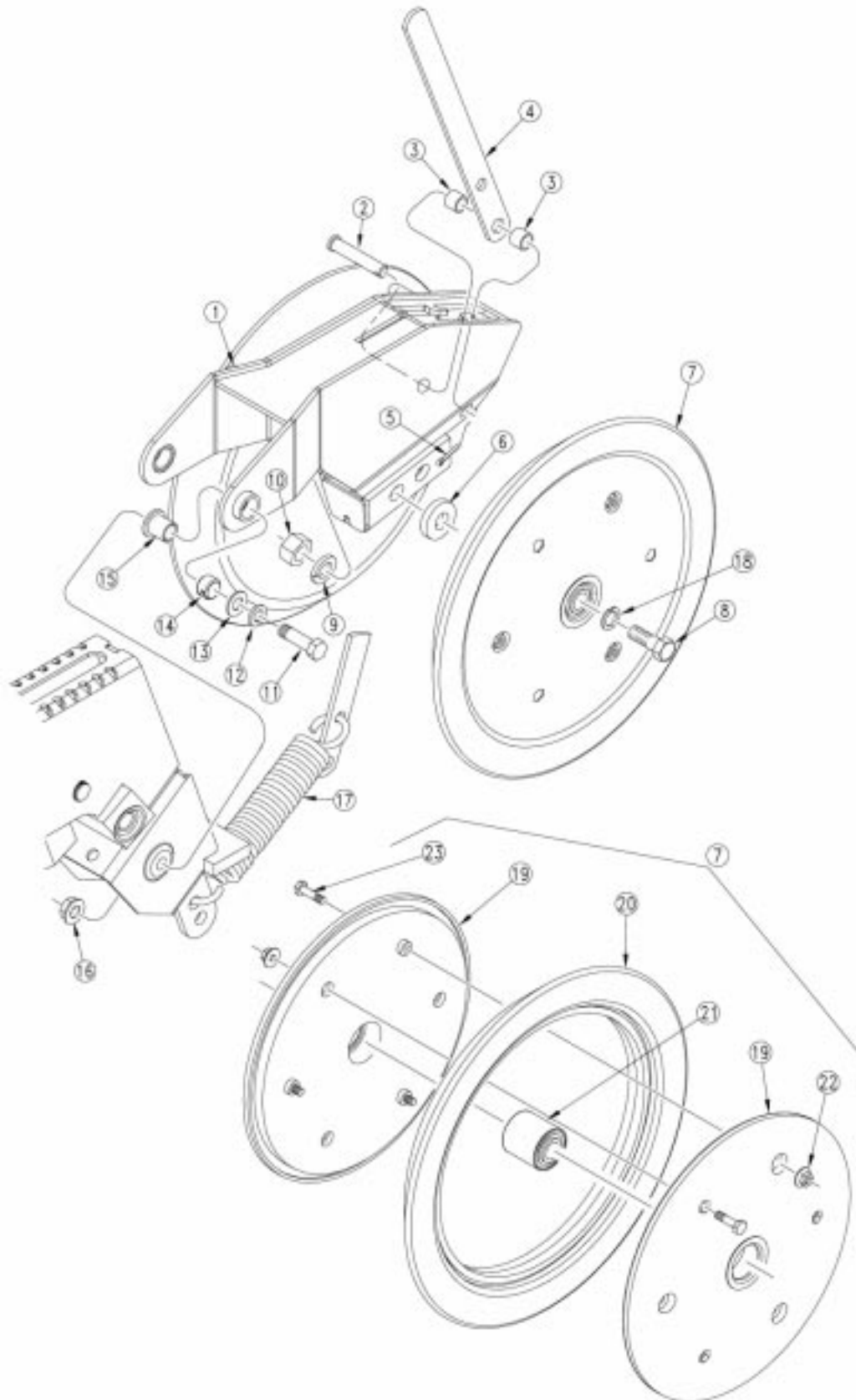
1" x 10" Double "V" Press Wheel



1" x 10" Double "V" Press Wheel

Ref.	Part No.	Part Description	Comments
1.	198-821H	20 SERIES 1X10 PRESS WHEEL MNT	
2.	805-166C	PIN CLEVIS 7/16 X 3 PLT	
3.	199-015D	PW HANDLE SPACER TUBE	
4.	199-011D	PW SPRING HANDLE	
5.	805-067C	PIN COTTER 1/8 X 3/4	
6.	814-194C	1X10 PRESS WHEEL ASSEMBLY	
7.	802-029C	HHCS 7/16-14X1 1/2 GR5	
8.	804-014C	WASHER LOCK 7/16 PLT	
9.	804-041C	WASHER FLAT 7/16 SAE PLT	
10.	890-598C	BUSHING 3/4OD X 5/8ID X 1/2 LG	
11.	890-524C	20 SER PW ARM PIVOT SPACER TB	
12.	807-088C	SPRING EXT 1 5/8 OD X 8.2	
13.	803-229C	NUT HEX FLANGE LOC 7/16-14 PLT	
14.	802-196C	HFSS 1/4-20X5/8 GR5	
15.	814-192C	1X10 PRESS WHEEL RIM HALF	
16.	822-170C	BEARING PRESS WHEEL ASSEMBLY	
17.	814-085C	1X10 PRESS WHEEL TIRE	
18.	803-088C	NUT HEX LOCK 1/4-20 FLG	
19.	802-058C	HHCS 5/8-11X2 1/2 GR5	
20.	804-022C	WASHER LOCK SPRING 5/8 PLT	

1 1/4" x 13" Double Press Wheel



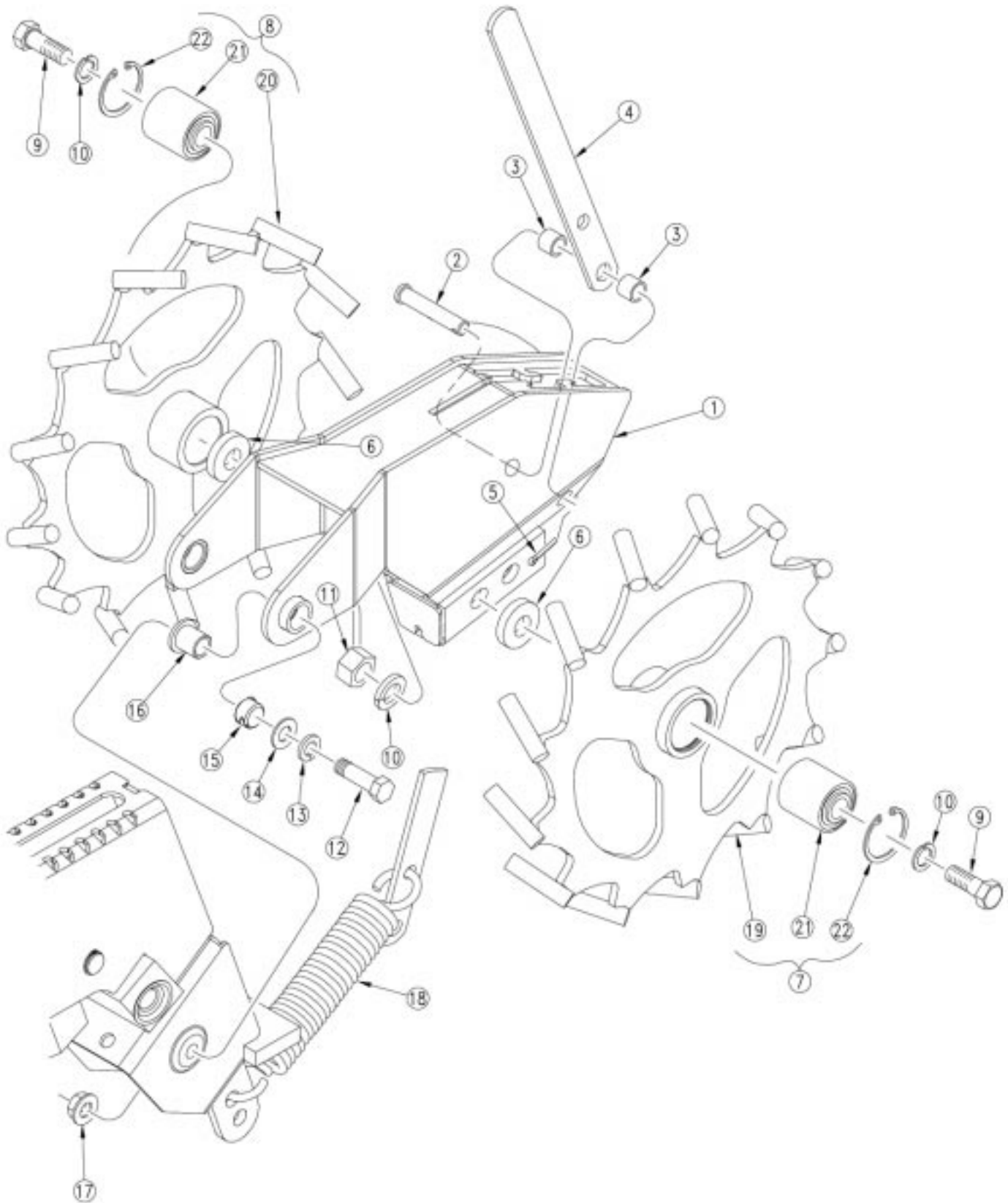
20261

1 1/4" x 13" Double Press Wheel

Ref.	Part No.	Part Description	Comments
1.	199-025H	SHORT 1X12 SING OPNR PW MOUNT	
2.	805-304C	PIN CLEVIS 7/16 X 2 25/64 USBL	
3.	199-050D	LONG 1X12 PW HANDLE SPACER TB	
4.	199-011D	PW SPRING HANDLE	
5.	805-067C	PIN COTTER 1/8 X 3/4	
6.	405-031D	1/4 PW SPACER 5/8 DIA	
7.	814-238C	1.25 X 13.5 PRESS WHEEL ASSY	Includes Utems 19-23
8.	802-059C	HHCS 5/8-11X3 GR5	
9.	804-022C	WASHER LOCK SPRING 5/8 PLT	
10.	803-021C	NUT HEX 5/8-11 PLT	
11.	802-029C	HHCS 7/16-14X1 1/2 GR5	
12.	804-014C	WASHER LOCK 7/16 PLT	
13.	804-041C	WASHER FLAT 7/16 SAE PLT	
14.	890-598C	BUSHING 3/4OD X 5/8ID X 1/2 LG	
15.	890-524C	20 SER PW ARM PIVOT SPACER TB	
16.	803-229C	NUT HEX FLANGE LOC 7/16-14 PLT	
17.	807-088C	SPRING EXT 1 5/8 OD X 8.2	
18.	804-022C	WASHER LOCK SPRING 5/8 PLT	
19.	817-330C	1 X 12 PRESS WHEEL RIM HALF	
20.	814-244C	1.25 X 13.5 PRESS WHEEL TIRE	
21.	822-170C	BEARING PRESS WHEEL ASSEMBLY	
22.	803-088C	NUT HEX LOCK 1/4-20 FLG	
23.	802-005C	HHCS 1/4-20X1 GR5	

Legend: ● = 1st revision; ● = 2nd revision; ● = 3rd revision; ● = use up existing stock; ⊗ = not interchangeable; ⊗ ① ● = for example: revision 2 is not interchangeable w/revision 1

2" x 12 1/2" Double Press Wheel

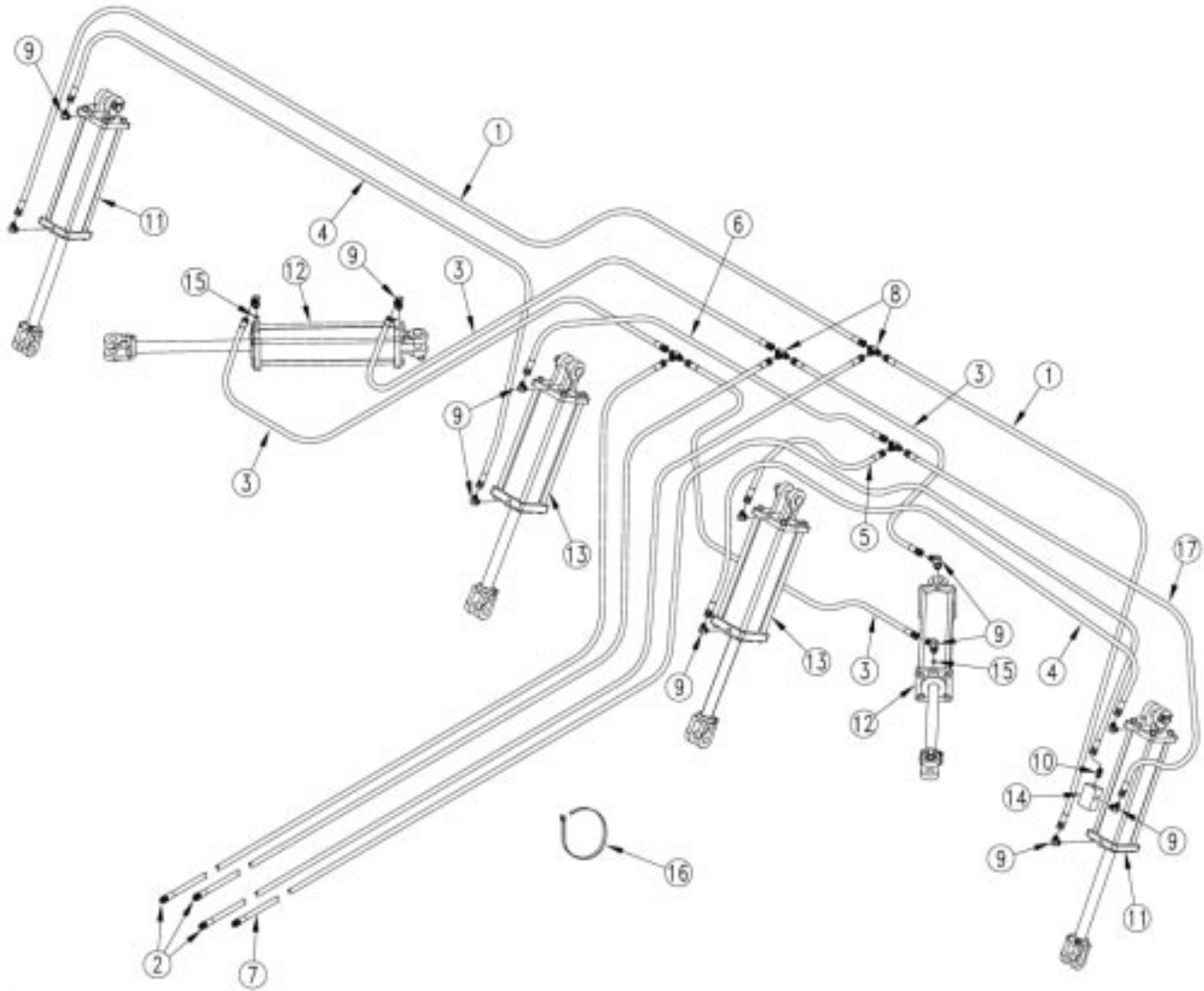


20259

2" x 12 1/2" Double Press Wheel

Ref.	Part No.	Part Description	Comments
1.	199-025H	SHORT 1X12 SING OPNR PW MOUNT	
2.	805-304C	PIN CLEVIS 7/16 X 2 25/64 USBL	
3.	199-050D	LONG 1X12 PW HANDLE SPACER TB	
4.	199-011D	PW SPRING HANDLE	
5.	805-063C	PIN COTTER 3/32 X 1 LONG	
6.	405-031D	1/4 PW SPACER 5/8 DIA	
7.	199-042S	2X12.5 CLOSING WHEEL ASSY RH	Includes Utems 19, 21, 22
8.	199-041S	2X12.5 CLOSING WHEEL ASSY LH	Includes Utems 20, 21, 22
9.	802-059C	HHCS 5/8-11X3 GR5	
10.	804-022C	WASHER LOCK SPRING 5/8 PLT	
11.	803-021C	NUT HEX 5/8-11 PLT	
12.	802-029C	HHCS 7/16-14X1 1/2 GR5	
13.	804-014C	WASHER LOCK 7/16 PLT	
14.	804-041C	WASHER FLAT 7/16 SAE PLT	
15.	890-598C	BUSHING 3/4OD X 5/8ID X 1/2 LG	
16.	890-524C	20 SER PW ARM PIVOT SPACER TB	
17.	803-229C	NUT HEX FLANGE LOC 7/16-14 PLT	
18.	807-088C	SPRING EXT 1 5/8 OD X 8.2	
19.	199-040H	2X12.5 CLOSING WHEEL WLDMT RH	
20.	199-039H	2X12.5 CLOSING WHEEL WLDMT LH	
21.	822-170C	BEARING PRESS WHEEL ASSEMBLY	
22.	800-054C	SNAP RING INT 40 MM	

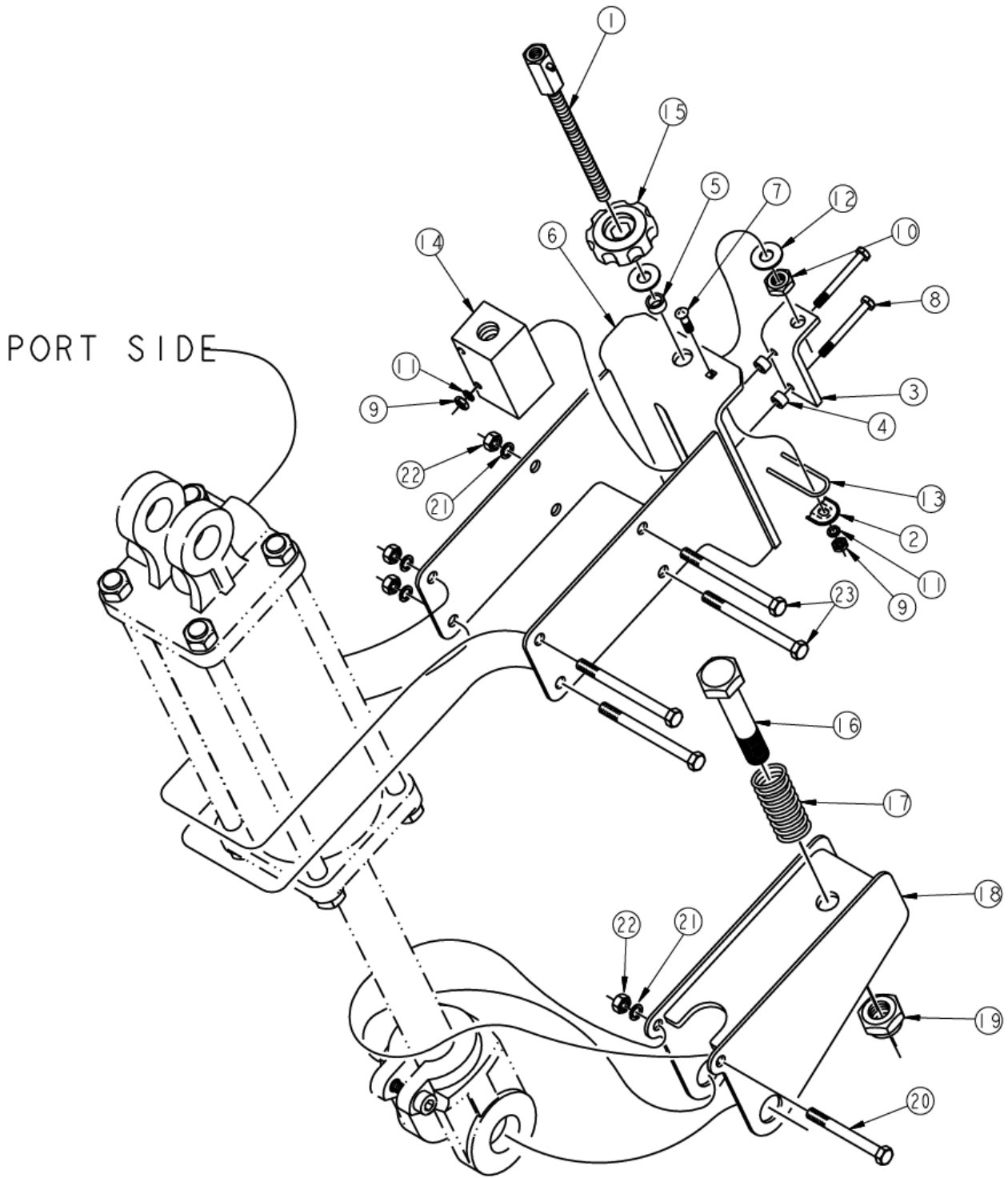
Hydraulics



Hydraulics

Ref.	Part No.	Part Description	Comments
1.	811-662C	HH3/8R2 268 3/4FJIC	
2.	811-367C	HH1/2R2 324 1/2MNPT 3/4FJIC	
3.	811-127C	HH3/8R2 111 3/4FJIC	
4.	811-661C	HH3/8R2 168 3/4FJIC	
5.	811-670C	HH3/8R2 062 3/4FJIC	
6.	811-659C	HH3/8R2 214 3/4FJIC	
7.	811-784C	HH1/2R2 600 3/4FJIC 1/2MNPT	
8.	811-078C	TE 3/4MJIC	
9.	811-063C	EL 3/4MJIC 3/4MORB	
10.	811-088C	AD 3/4MORB 3/4MJIC	
11.	810-218C	CYL REP 4.5X12X1.5 ROD (TIE)	
12.	810-475C	CYL 4X16X2 ROD (TIE ROD)	
13.	810-287C	CYL REP 4.75 X 12 X 1.50 ROD	
14.	810-084C	HYD STROKE CONTROL	
15.	196-430D	ORIFICE PLATE 1/16 3/4	
16.	800-060C	CABLE TIE .19X14.25 3DIA 50LB	
17.	811-785C	HH1/2R2 168 3/4FJIC	

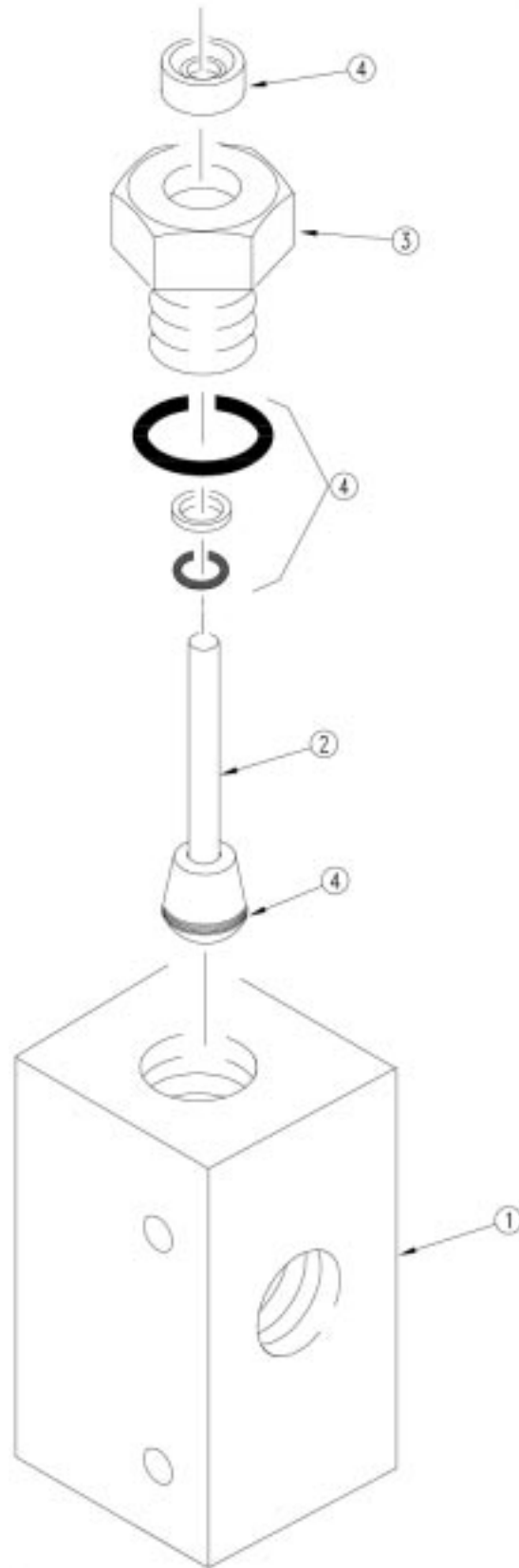
Depth Stop



Depth Stop

Ref.	Part No.	Part Description	Comments
1.	122-055S	SCREW ADJUSTMENT ROD	
2.	122-065D	TENSION SPRING RETAINER	
3.	152-179H	DEPTH ADJUSTMENT BRACKET WLMT	
4.	152-379D	1/4 SPACER TUBE	
5.	152-380D	7/16 SPACER TUBE	
6.	196-185H	2SNT DEPTH VALVE MNT WELDMENT	
7.	802-002C	RHSNB 1/4-20X3/4 GR5	
8.	802-274C	HHCS 1/4-20X3 GR5	
9.	803-006C	NUT HEX 1/4-20 PLT	
10.	803-273C	HUT HEX NYLOCK 7/16-14 PLT	
11.	804-006C	WASHER LOCK SPRING 1/4 PLT	
12.	804-041C	WASHER FLAT 7/16 SAE PLT	
13.	807-020C	SPRING SCREW ADJ TENSION STRHT	
14.	810-445C	STROKE CONTROL VALVE	Refer to page 9-5.
15.	817-021C	KNOB P.W. ADJUSTMENT	
16.	802-070C	HHCS 3/4-10X6 GR5	
17.	807-007C	SPRING LEVER	
18.	196-186H	2SNT DPTH VAL CLEVIS PLT WLMT	
19.	803-025C	NUT HEX 3/4-10 PLT NYLOCK	
20.	802-026C	HHCS 3/8-16X3 3/4 GR5	
21.	804-013C	WASHER LOCK SPRING 3/8 PLT	
22.	803-014C	NUT HEX 3/8-16 PLT	
23.	802-616C	HHCS 3/8-16X5 1/2 GR5	

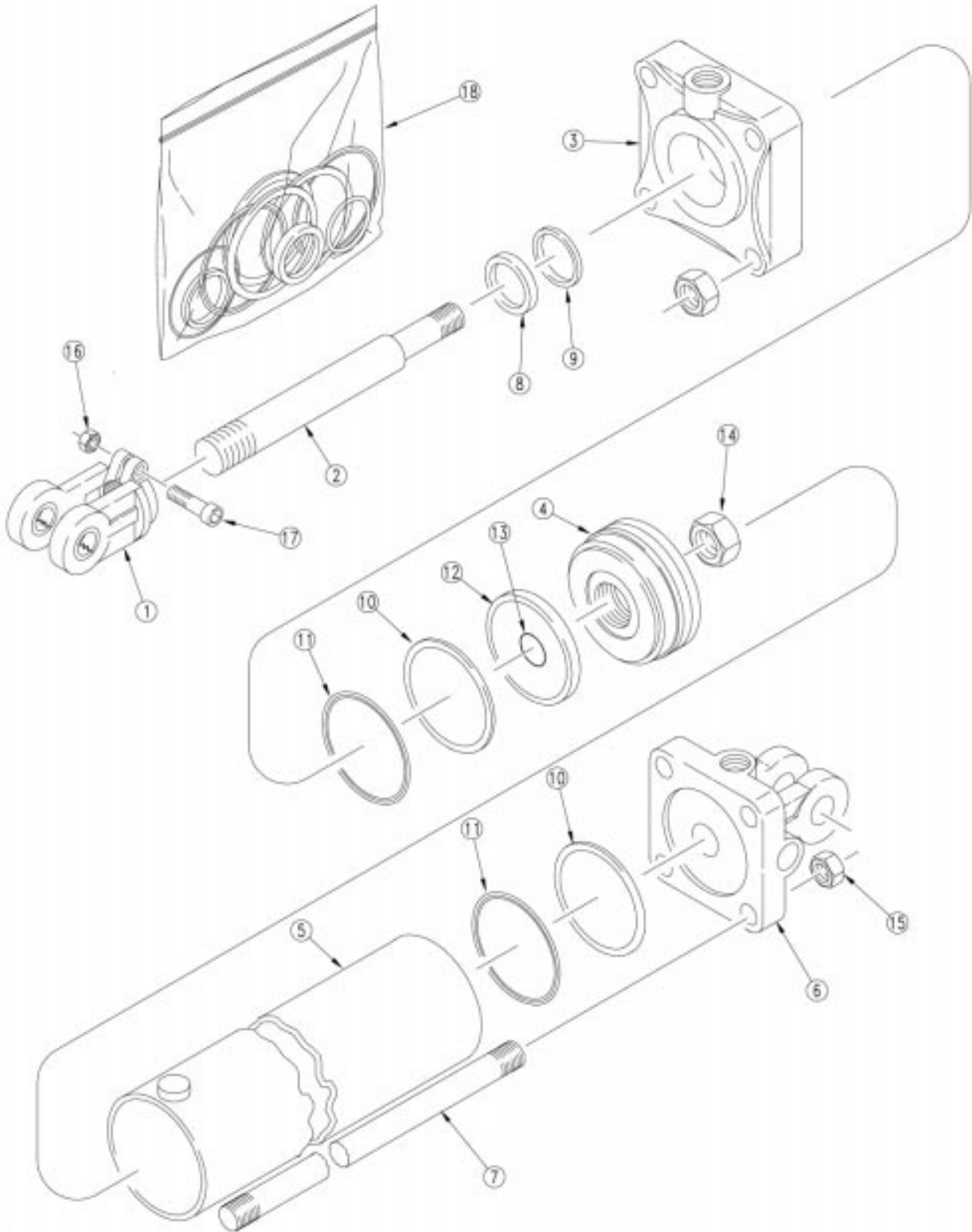
Stroke Control Valve (810-445C)



Stroke Control Valve (810-445C)

Ref.	Part No.	Part Description	Comments
1.	5396	BODY	
2.	5397	PISTON, WITH O-RING	
3.	8062	PLUG, ADAPTER, ASM.	
4.	810-446C	SEAL KIT 5398 810-445C	

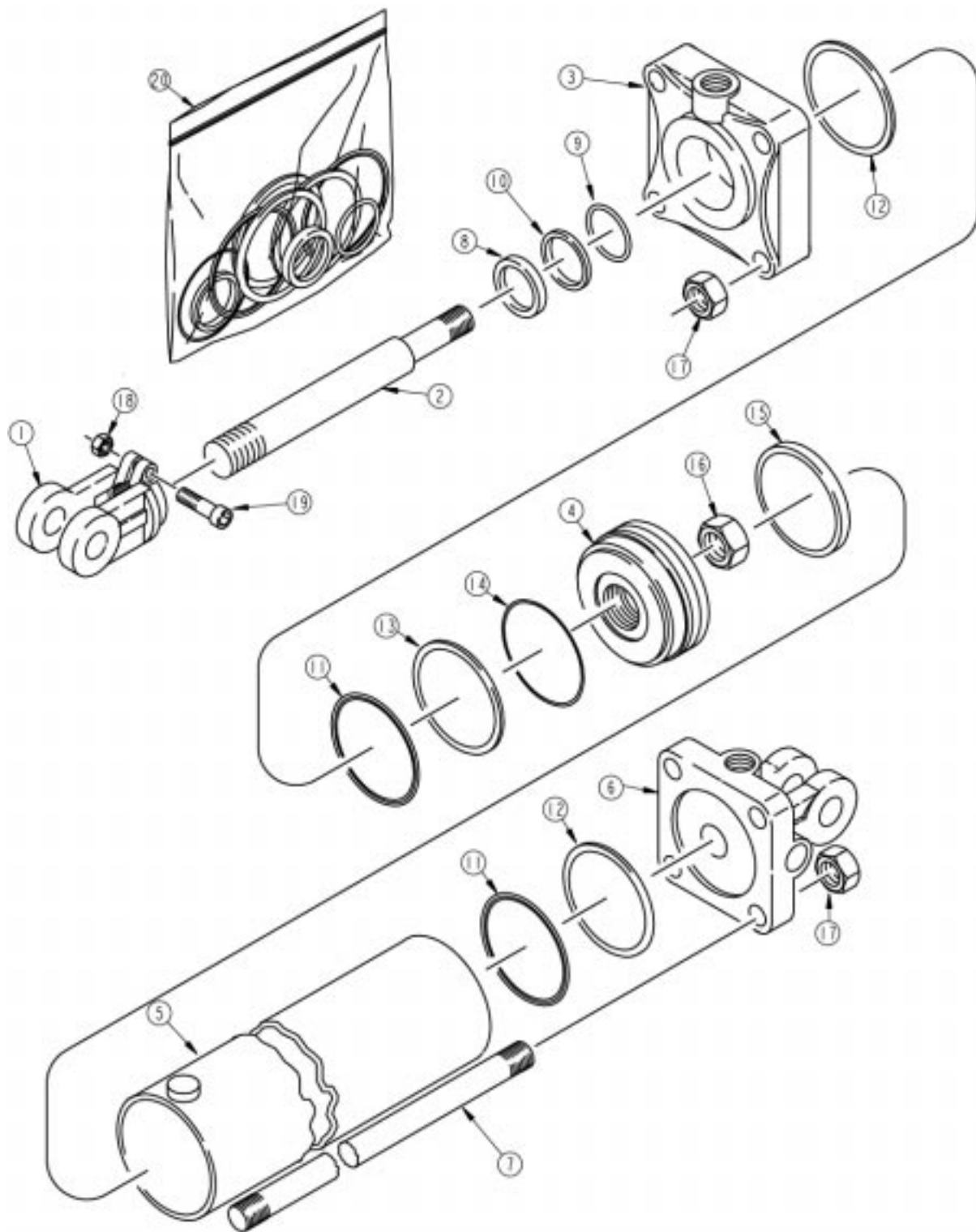
Hydraulic Cylinder (810-475C)



Hydraulic Cylinder (810-475C)

Ref.	Part No.	Part Description	Comments
1.	1M7021	CLEVIS	
2.	2S6622	ROD	
3.	3R6012	HEAD MIDWAY	
4.	4M6108	MW PISTON	
5.	5M6124	MW TUBE 4 X 16 CYLINDER	
6.	6R5164	BASE MIDWAY	
7.	7M6324	MW TIE ROD 4 X 16 CYLINDER	
8.		MW WIPER	Only available in item 18
9.		U-CUP	Only available in item 18
10.		O-RING MIDWAY	Only available in item 18
11.		BACK UP MIDWAY	Only available in item 18
12.		CROWN SEAL MIDWAY	Only available in item 18
13.		MW PISTON NUT SEAL	Only available in item 18
14.	2A0024	MW PISTON NUT 1-14	
15.	2A0018	MW TIE ROD NUT	
16.	2A0012	MW NUT CLEVIS & TIE ROD	
17.	802-023C	HHCS 3/8-16X1 3/4 GR5	
18.	810-014C	CYL SEAL KIT 4 X 16 MW 5A6106	

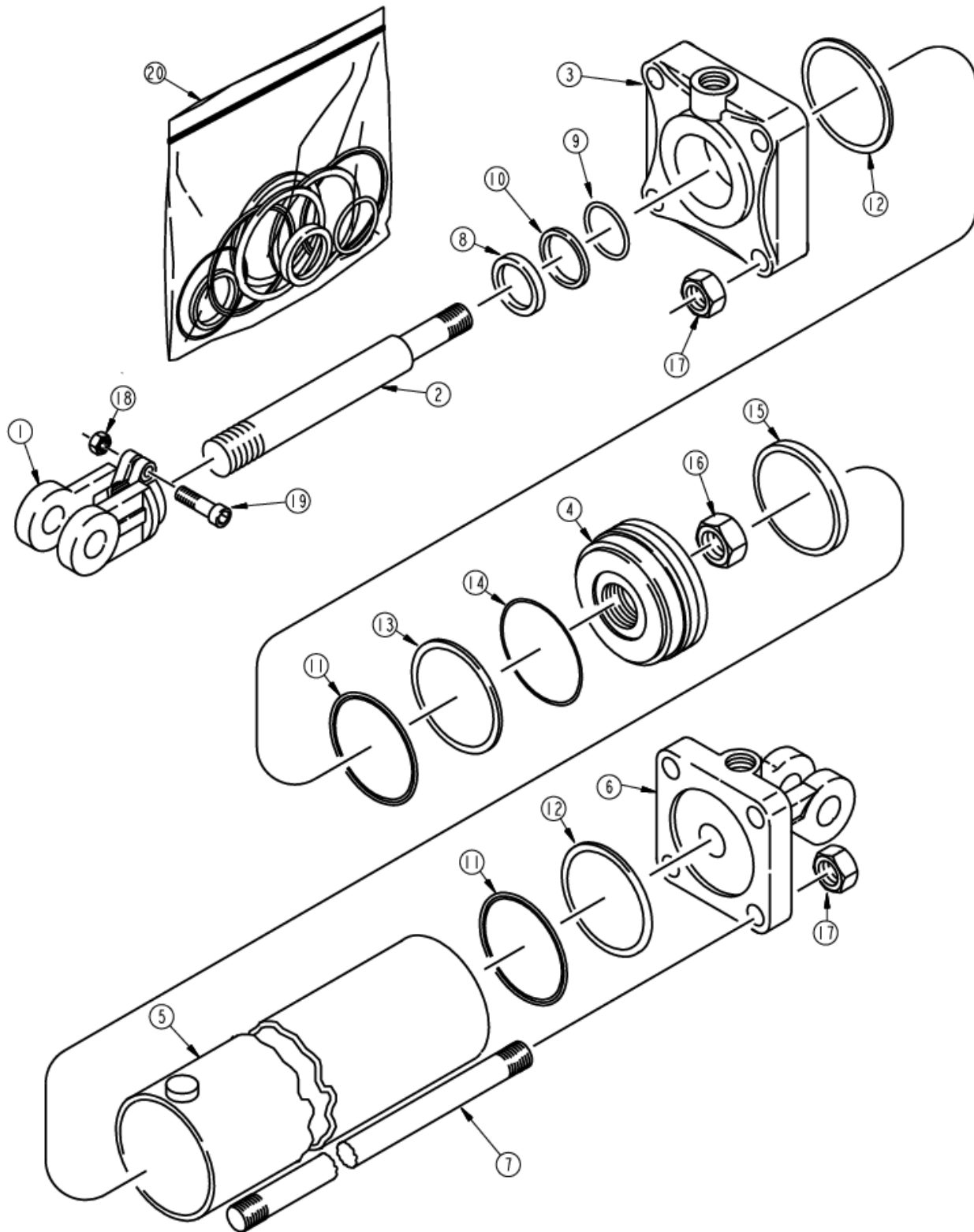
Hydraulic Cylinder (810-218C)



Hydraulic Cylinder (810-218C)

Ref.	Part No.	Part Description	Comments
1.	1M6016	CLEVIS	
2.	2M7520	ROD	
3.	3R7512	HEAD	
4.	4R7106	PISTON	
5.	5R7120	TUBE	
6.	6R7164	BASE	
7.	7M7320	TIE ROD	
8.		WIPER SEAL	Only available in item 20.
9.		O-RING	Only available in item 20.
10.		BACK-UP	Only available in item 20.
11.		O-RING	Only available in item 20.
12.		BACK-UP	Only available in item 20.
13.		TEFLON SEAL	Only available in item 20.
14.		LOADER O-RING	Only available in item 20.
15.		WEAR RING	Only available in item 20.
16.	2A0024	PISTON NUT	
17.	2A0019	TIE ROD NUT	
18.	2A0012	CLEVIS NUT	
19.	2A0006	CAPSCREW	
20.	810-158C	SEAL KIT MW 4.5 RPHCYL 4A7104	

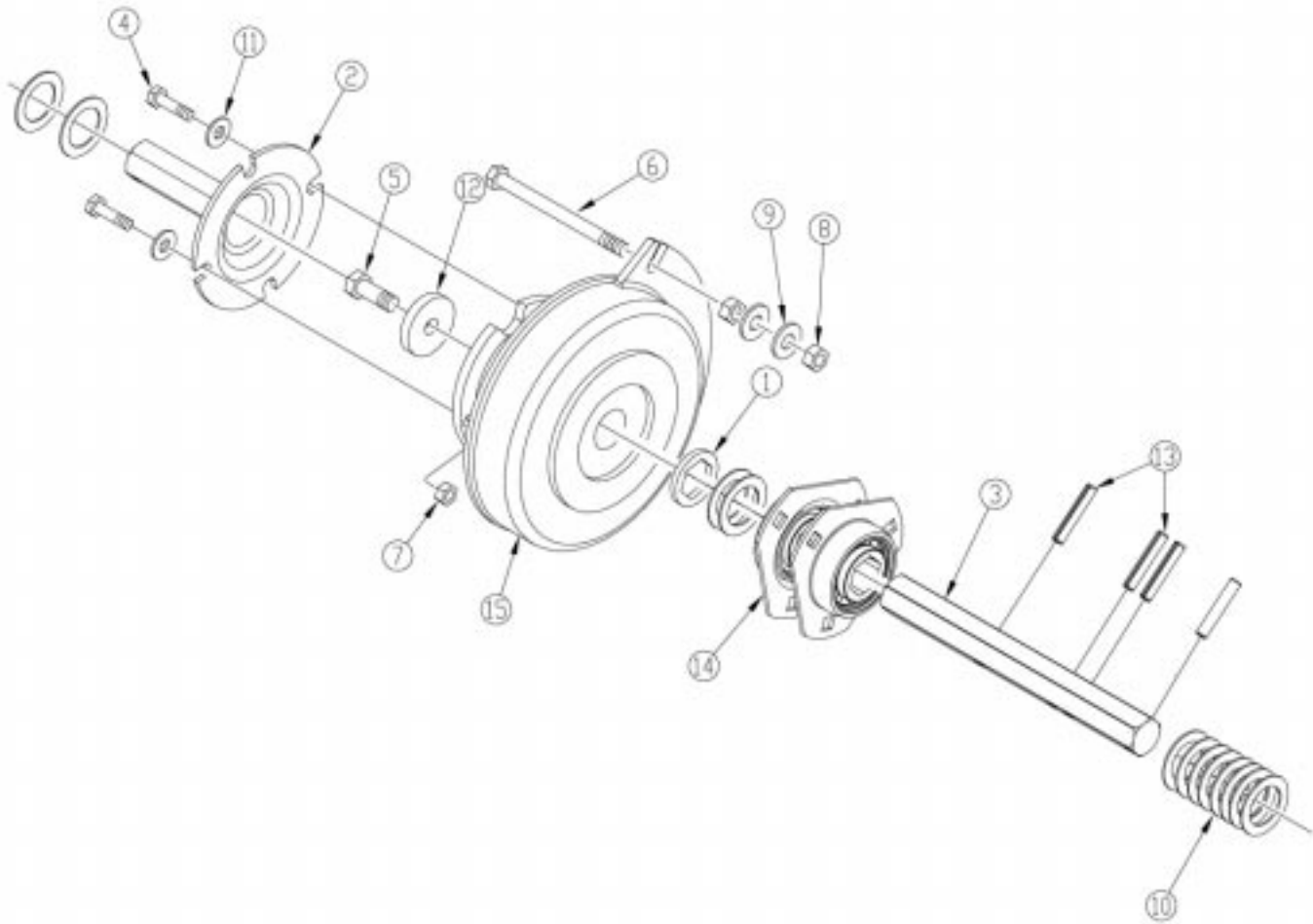
Hydraulic Cylinder (810-287C)



Hydraulic Cylinder (810-287C)

Ref.	Part No.	Part Description	Comments
1.	1M7018	MW CLEVIS HEAVY DUTY W/HD BUSH	
2.	2M8518	ROD	
3.	3R8512	MIDWAY HEAD F/ 4 3/4 CYL	
4.	4R8106	PISTON MIDWAY	
5.	5R8120	TUBE	
6.	6R8164	BASE	
7.	7M8320	TIE ROD MIDWAY	
8.		ROD WIPER	Only available in item 20.
9.		O-RING	Only available in item 20.
10.		BACK-UP	Only available in item 20.
11.		O-RING	Only available in item 20.
12.		BACK-UP	Only available in item 20.
13.		TEFLON SEAL	Only available in item 20.
14.		LOADER O-RING	Only available in item 20.
15.		WEAR RING	Only available in item 20.
16.	2A0025	MW BACKUP OD BOLT	
17.	2A0019	TIE ROD NUT MIDWAY	
18.	2A0012	MW NUT CLEVIS & TIE ROD	
19.	2A0006	MW CAPSCREW	
20.	810-160C	SEAL KIT MW 4.75 RPHCYL 4A8104	

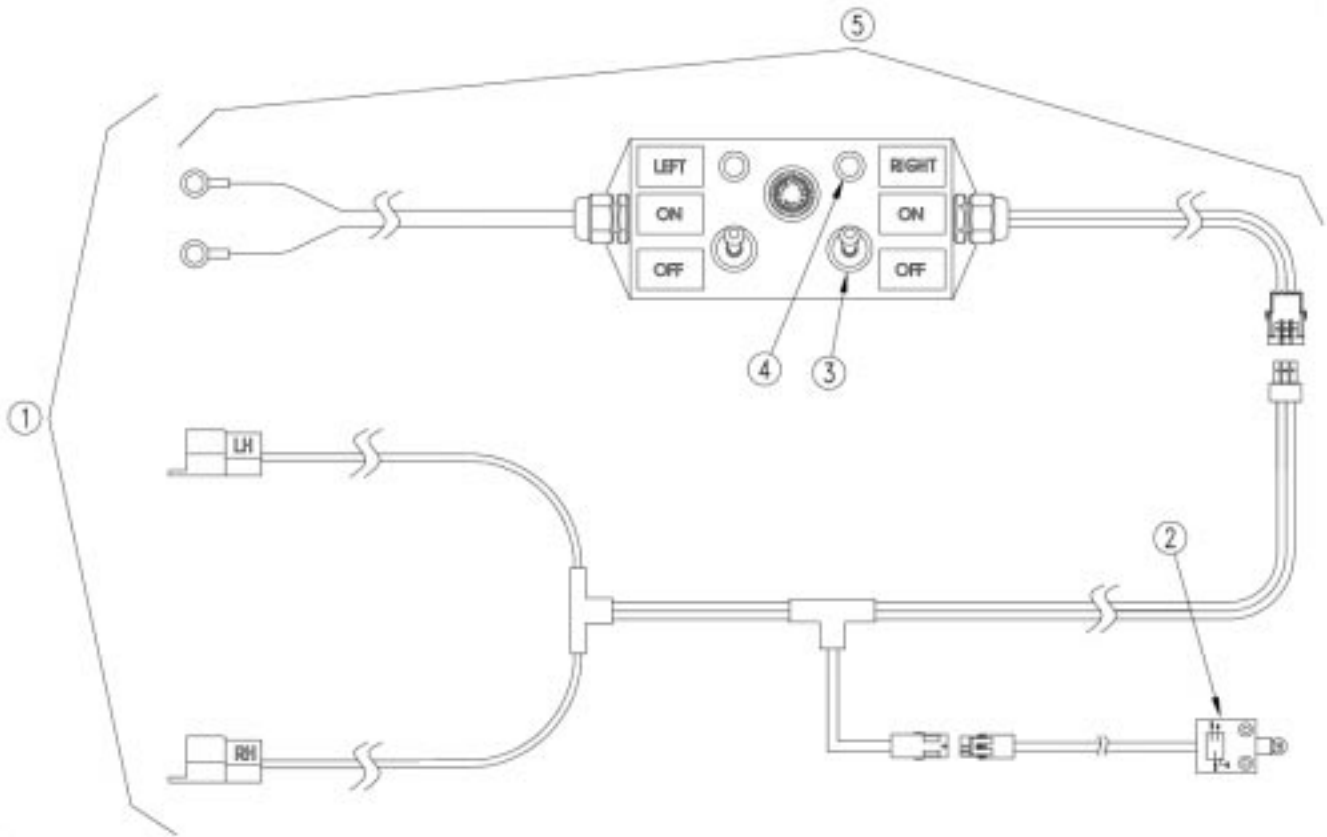
Point Row Clutch



Point Row Clutch

Ref.	Part No.	Part Description	Comments
1.	195-243D	7/8 HEX SPROCKET WASHER	
2.	196-254H	30P POINT ROW STUB SHAFT WDMNT	
3.	196-593D	POINT ROW CLUTCH SHAFT	
4.	802-005C	HHCS 1/4-20X1 GR5	
5.	802-017C	HHCS 3/8-16X1 GR5	
6.	802-279C	HHCS 5/16-18X4 GR5	
7.	803-007C	NUT LOCK 1/4-20 PLT	
8.	803-008C	NUT HEX 5/16-18 PLT	
9.	804-010C	WASHER FLAT 5/16 USS PLT	
10.	804-061C	WASHER MACH 1.50 X 1.00 X 18GA	
11.	804-075C	WASHER FLAT 1/4 USS PLT	
12.	804-080C	WASHER 1 1/2 OD X 13/32 ID PLT	
13.	805-180C	PIN ROLL 1/4 X 1 1/2 LG PLT	
14.	822-171C	BEARING 7/8 HEX 3 BOLT	
15.	823-192C	CW CLUTCH ELEC 30-P POINT ROW	LH side shown.
	823-193C	CCW CLUTCH ELEC 30-P POINT ROW	RH side.

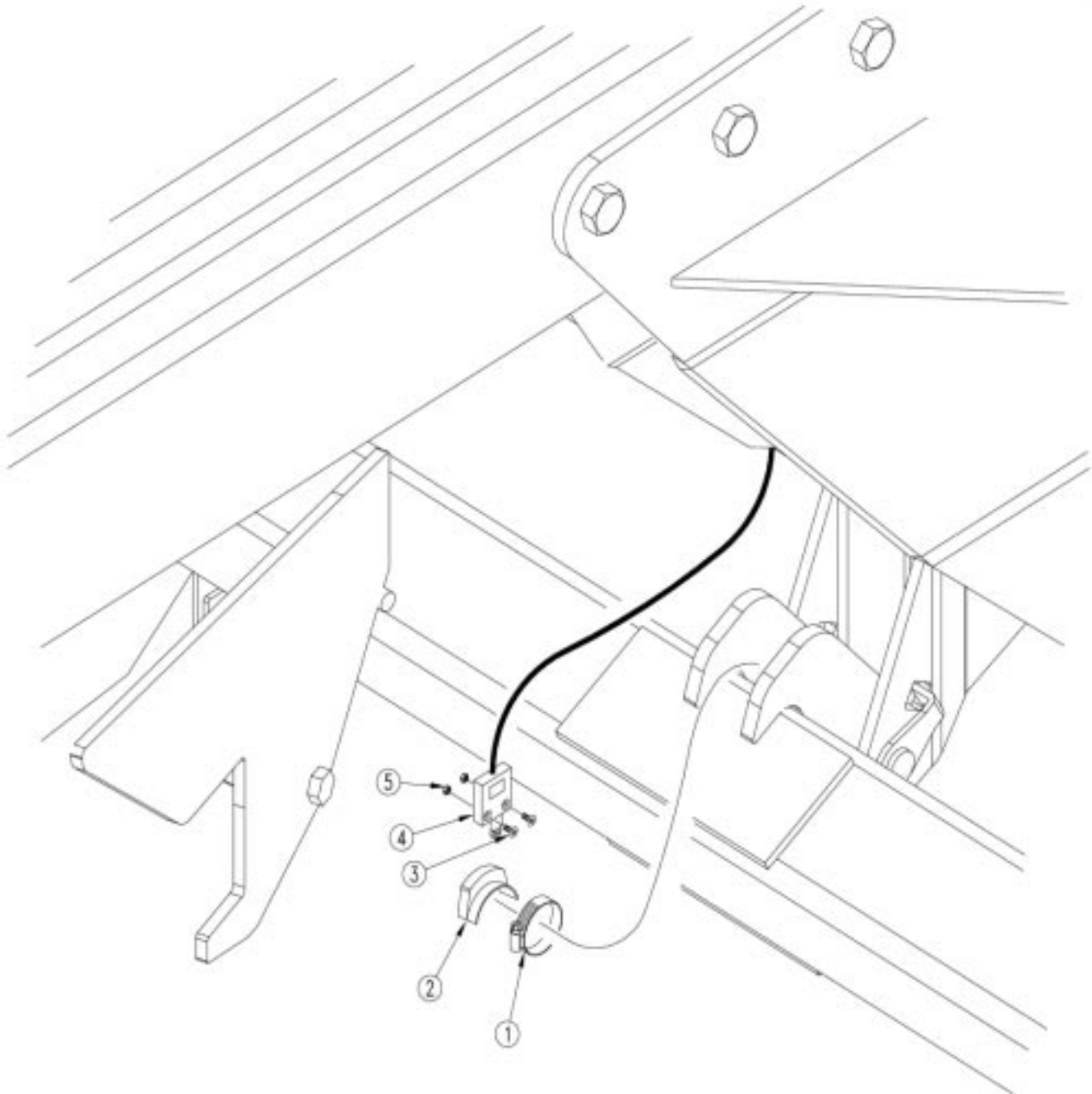
Point Row Clutch Harness & Switch



Point Row Clutch Harness & Switch

Ref.	Part No.	Part Description	Comments
1.	823-195C	30P CLUTCH HARNESS WITH SWITCH	
2.	823-198C	2SNT IMPLEMENT SWITCH	
3.	4112301	TOGGLE SWITCH ELECTREX	
4.	4301115	RED INDICATOR LIGHT ELECTREX	
5.	823-196C	2SNT CLUTCH CONSOLE & HARNESS	

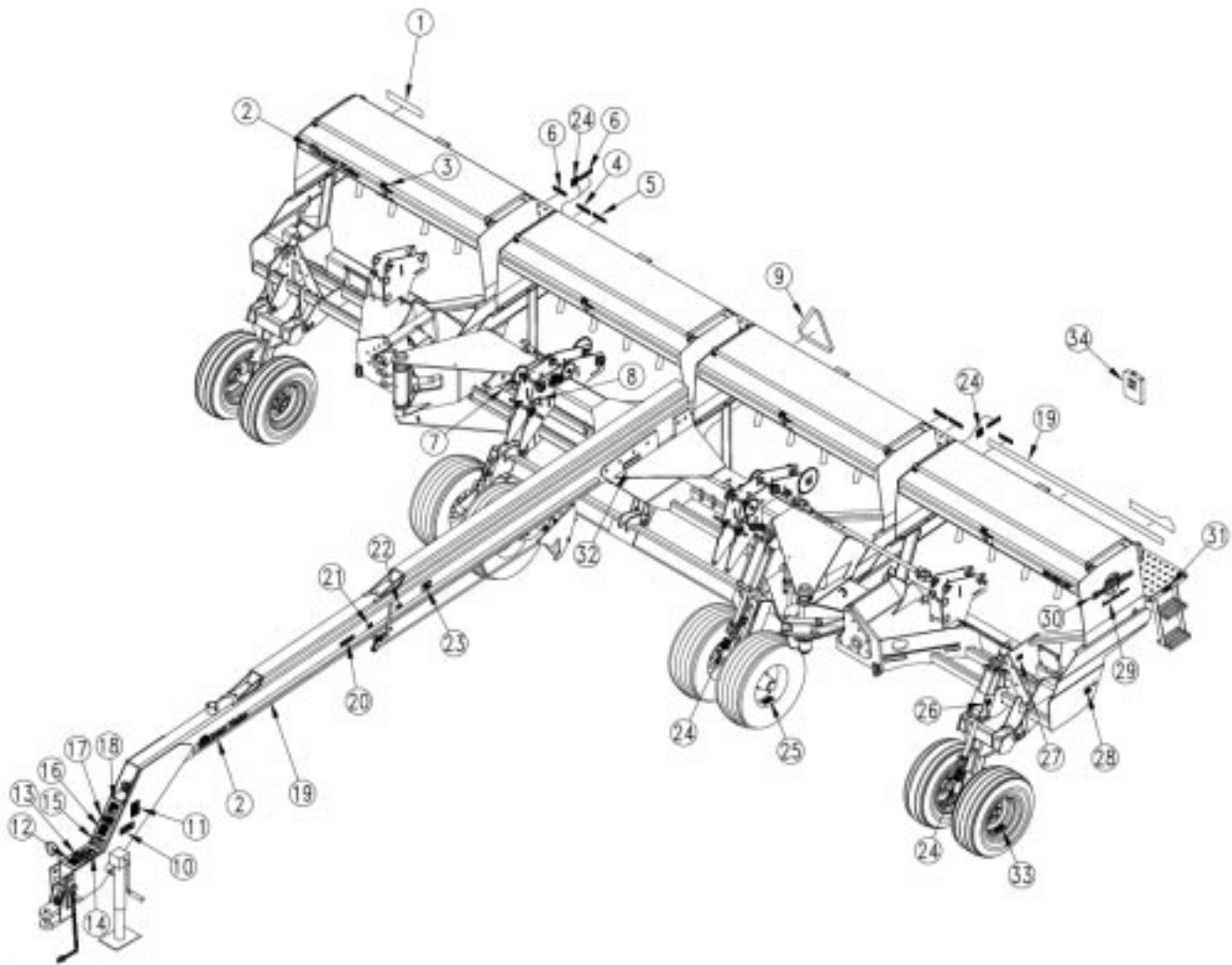
Height Switch Cam



Height Switch Cam

Ref.	Part No.	Part Description	Comments
1.	800-144C	CLAMP WRM DRV #40 SS (2.06-3)	
2.	817-476C	HEIGHT SWITCH CAM NO CLP 2.25	
3.	801-005C	SCREW PAN HD 1/4-20 X 3/4	
4.	823-198C	2SNT IMPLEMENT SWITCH	
5.	803-001C	NUT HEX 10-24 PLT	

Decal Placement

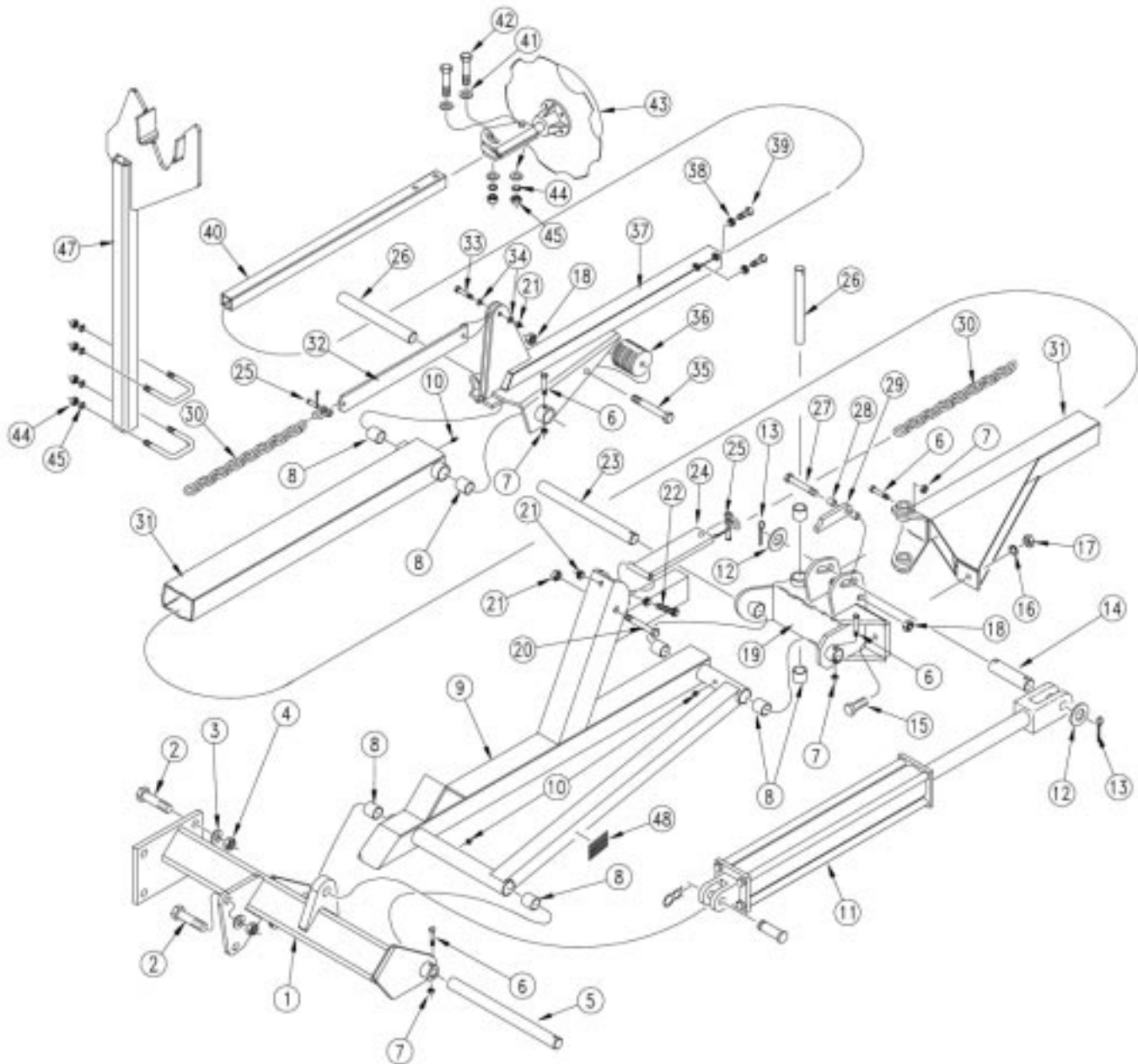


Decal Placement

Ref.	Part No.	Part Description	Comments
1.	838-561C	DECAL 3N-3010	
	838-562C	DECAL 3N-3020	
2.	838-161C	DECAL LOGO&GP F/STRIPE 4 X 24	
3.	838-237C	DECAL SEED LEVEL LH	
4.	838-266C	DECAL REFLECTOR RED 1 1/2X9	
5.	838-267C	DECAL REFLECTR DAYTIME 1 1/2X9	
6.	838-265C	DECAL REFLECTOR AMBER 1 1/2X9	
7.	838-564C	DECAL 3N-30 DRIVE TYPE LH	
	838-565C	DECAL 3N-30 DRIVE TYPE RH	
8.	838-125C	DECAL 15&20-P TRANSM SPKTS RH	
	838-124C	DECAL 15&20-P TRANSM SPKTS LH	
9.	818-003C	DECAL SLOW MOVING VEHICLE	
10.	818-475C	DECAL WARNING 30'TONGUE WEIGHT	
11.	818-078C	DECAL CAUTION FP-HC-MF-24&30	
12.	818-019C	DECAL WARNING NEG TONGUE WT	
13.	818-188C	DECAL WARNING 20 MPH TRANS LRG	
14.	818-557C	DECAL DANGER CANNOT READ ENG	
15.	818-020C	DECAL CAUTION TIRE DAMAGE HAZ	
16.	818-339C	DECAL WARNING HIGH PRESSUR SML	
17.	818-590C	DECAL DANGER CRUSH TRCTR & 3PT	
18.	818-587C	DECAL CAUTION OPERATIONAL MACH	
19.	838-160C	DECAL 3 COLOR STRIPE 2.50 WIDE	
20.	838-265C	DECAL REFLECTOR AMBER 1 1/2X9	
21.	818-257C	DECAL TRANSPORT LOCK ROAD	
22.	818-258C	DECAL TRANSPORT LOCK FIELD	
23.	818-045C	DECAL WARNING PINCH PT/CRUSH	
24.	818-398C	DECAL CAUTION TIRES NOT A STEP	
25.	838-259C	DECAL CAUTION TIRE 90 PSI/170	Rib tire
	838-426C	DECAL CAUTION TIRE 60 PSI/170	Skid steer tire
26.	818-748C	DECAL 2SNT DEPTH STOP	
27.	818-043C	DECAL LIFT CYL OPERATING INSTR	
28.	838-153C	DECAL -P GROUND AND TUBE DIST	
29.	838-157C	DECAL SCRIPT PREC SEED SYSTEM	
30.	838-228C	DECAL GREAT PLAINS ON LOGO SML	
31.	838-102C	DECAL DANGER FALLING HAZZARD	
32.	838-397C	DECAL NOTICE TONGUE ASSEMBLY	
33.	818-855C	DECAL CAUTION TIRE 36 PSI	Rib tire
	838-092C	DECAL CAUTION TIRE 60PSI/85FT	Skid steer tire
34.	817-516C	MANUAL PAK 1" W/ GASKET	

Legend: ● = 1st revision; ● = 2nd revision; ● = 3rd revision; ● = use up existing stock; ⊗ = not interchangeable; ⊗ ① ● = for example: revision 2 is not interchangeable w/revision 1

Flat Fold Marker

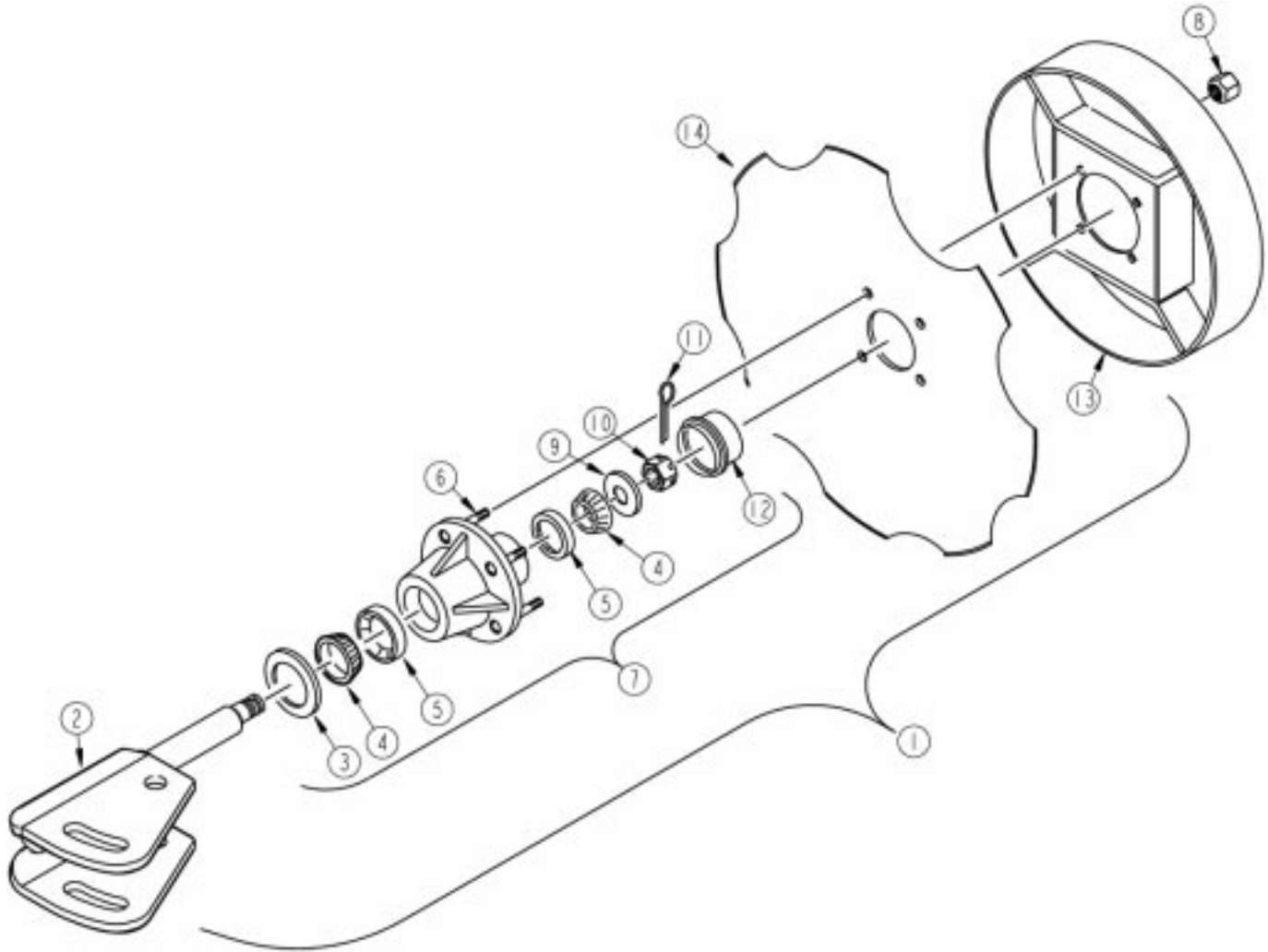


Flat Fold Marker

Ref.	Part No.	Part Description	Comments
1.	113-730H	30P RH MARKER MOUNT	
	113-731H	30P LH MARKER MOUNT	
2.	802-065C	HHCS 3/4-10X2 1/4 GR5	
3.	804-023C	WASHER LOCK SPRING 3/4 PLT	
4.	803-027C	NUT HEX 3/4-10 PLT	
5.	113-312D	FIRST PIVOT SHAFT	
6.	802-115C	HHCS 5/16-18X2 GR5	
7.	803-011C	NUT LOCK 5/16-18 PLT	
8.	890-005C	BUSHING CYL 1 1/4 X 1 X 1	
9.	113-180H	LH FIRST SECTION	
	113-188H	RH FIRST SECTION	
10.	800-001C	GREASE ZERK STRAIGHT 1/4-28	
11.	810-118C	CYL 2.5X20X1.12 ROD (TIE)1 PIN	Refer to page 12-9 for breakdown.
12.	804-029C	WASHER FLAT 1 SAE	
13.	805-058C	PIN COTTER 3/16 X 2	
14.	113-248D	MARKER CYLINDER PIN BODY	
15.	802-234C	HHCS 7/16-14X2 1/4 GR5	
16.	804-014C	WASHER LOCK 7/16 PLT	
17.	803-015C	NUT HEX 7/16-14 PLT	
18.	803-019C	NUT LOCK 1/2-13 PLT	
19.	113-350H	NO-TILL BREAKAWAY JOINT LH	
	113-351H	NO-TILL BREAKAWAY JOINT RH	
20.	802-168C	HHCS 3/8-16X3 1/4 GR5	
21.	803-013C	NUT LOCK 3/8-16 PLT	
22.	802-261C	HHCS 3/8-16X2 1/2 GR5 FTTHD	
23.	113-313D	SECOND PIVOT SHAFT	
24.	113-200H	CHAIN BAR WELDMENT	
25.	890-018C	UTILITY CLEVIS 5/16	
26.	113-311D	HINGE PIN	
27.	802-201C	HHCS 1/2-13X4 3/4 GR5	
28.	113-325D	STOP BUSHING	
29.	113-324D	CYLINDER STOP	
30.	113-319D	MARKER CHAIN 30'	
31.	113-341H	NO-TILL MARKER 30' 2ND SECTION	
32.	113-323D	CHAIN BAR	
33.	802-022C	HHCS 3/8-16X1 1/2 GR5	
34.	804-011C	WASHER FLAT 3/8 USS PLT	
35.	802-260C	HHCS 1/2-13X7 GR5	
36.	113-398D	RUBBER TUBE RD 3 OD X 5 LONG	
37.	113-343H	NO-TILL MARKER 30' 3RD SECTION	
38.	803-036C	NUT HEX JAM 1/2-13 PLT	
39.	801-013C	SCREW SET SQ HD 1/2-13X1 1/2G5	
40.	113-378D	NO-TILL 30' 4TH SECT TUBE	
41.	804-017C	WASHER FLAT 1/2 USS PLT	
42.	802-042C	HHCS 1/2-13X3 3/4 GR5	
43.	113-360S	NOTILL MRKR DSK & 4BLT HUB ASY	Refer to page 12-3 for breakdown.
44.	804-015C	WASHER LOCK SPRING 1/2 PLT	
45.	803-020C	NUT HEX 1/2-13 PLT	
46.	806-023C	U-BOLT 1/2-13 X 2 1/32 X 3 1/4	
47.	113-734H	MARKER TRANSPORT SUPPORT WLDMT	
48.	818-682C	DECAL WARNING PINCH/CRUSH MRKR	

Legend: ● = 1st revision; ● = 2nd revision; ● = 3rd revision; ● = use up existing stock; ⊗ = not interchangeable; ⊗ ⊕ ● = for example: revision 2 is not interchangeable w/revision 1

Marker Disk And Bearings

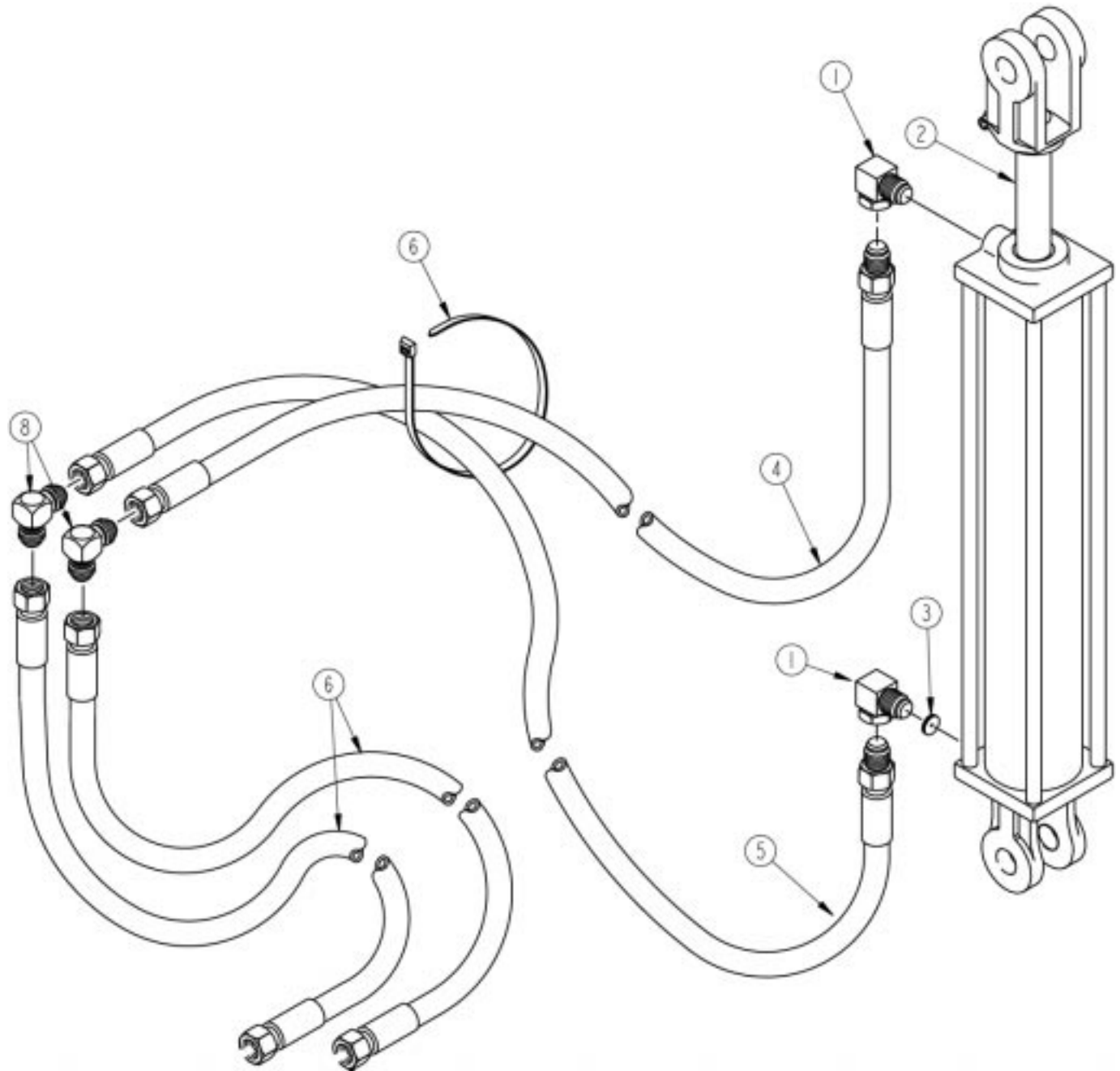


Marker Disk And Bearings

Ref.	Part No.	Part Description	Comments
1.	113-360S	NOTILL MRKR DSK & 4BLT HUB ASY	Includes items 2 through 14
2.	113-345H	NO-TILL MARKER DISK SPINDLE WM	
3.	816-014C	TINE GAUGE WHEEL HUB SEAL	
4.	822-030C	BEARING CONE 1	
5.	822-080C	BEARING CUP L44610	
6.	802-125C	BHSNB 1/2-20X1 3/8 GR5	
7.	815-001C	TINE GW HUB	
8.	803-159C	NUT LUG 1/2-20 X 60 DEG PLT	Includes items 3 through 6 & 9 through 12
9.	804-025C	WASHER FLAT 3/4 SAE PLT	
10.	803-053C	NUT HEX SLOTTED 3/4-16	
11.	805-045C	PIN COTTER 5/32 X 1 1/4 LG	
12.	890-068C	GREASE CAP	
13.	113-346H	DEPTH BAND 12 4-BOLT	
14.	820-094C	16 4-BOLT NOTCHED MARKER DISK	

Legend: ● = 1st revision; ● = 2nd revision; ● = 3rd revision; ● = use up existing stock; ⊗ = not interchangeable; ⊗ ① ● = for example: revision 2 is not interchangeable w/revision 1

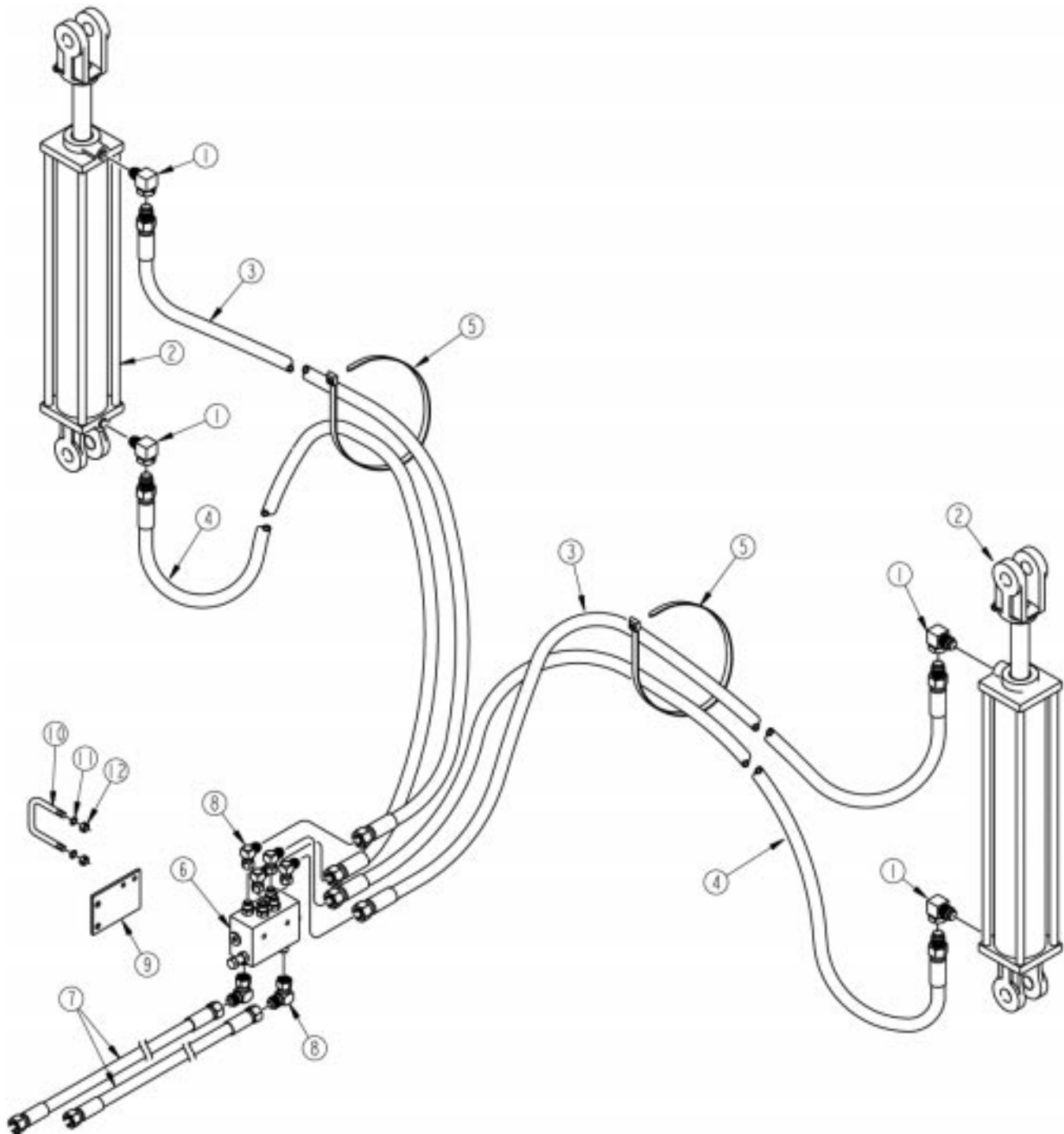
Single Marker Hydraulics



Single Marker Hydraulics

Ref.	Part No.	Part Description	Comments
1.	811-281C	EL 3/8FNPT 9/16MORB	
2.	810-118C	CYL 2.5X20X1.12 ROD (TIE)1 PIN	
3.	811-347C	ORPL 1/16 9/16MORB	
4.	811-014C	HH1/4R1 288 9/16FJIC 3/8MNPT	
5.	811-035C	HH1/4R1 252 9/16FJIC 3/8MNPT	
6.	811-580C	HH1/4R1 348 1/2MNPT 9/16FJIC	
7.	800-082C	CABLE TIE .31X21.5 6DIA 120LB	
8.	811-393C	EL 9/16MJIC	

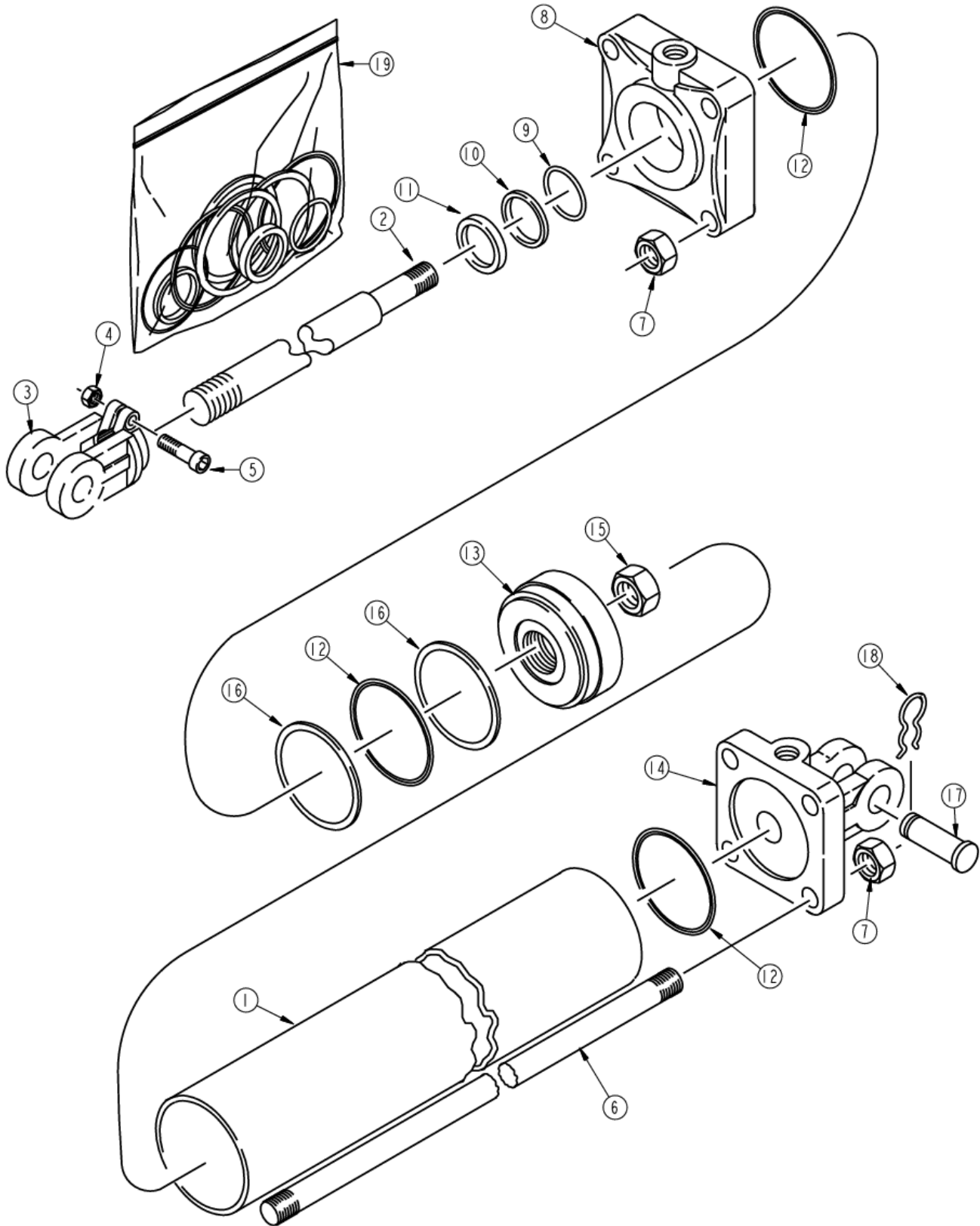
Dual Marker Hydraulics



Dual Marker Hydraulics

Ref.	Part No.	Part Description	Comments
1.	811-281C	EL 3/8FNPT 9/16MORB	
2.	810-118C	CYL 2.5X20X1.12 ROD (TIE)1 PIN	
3.	811-014C	HH1/4R1 288 9/16FJIC 3/8MNPT	
4.	811-035C	HH1/4R1 252 9/16FJIC 3/8MNPT	
5.	800-082C	CABLE TIE .31X21.5 6DIA 120LB	
6.	810-197C	VALVE,SEQUENCE SHOEMAKER	
7.	811-580C	HH1/4R1 348 1/2MNPT 9/16FJIC	
8.	811-169C	EL 9/16MJIC 9/16FJIC	
9.	113-488D	SEQUENCE VALVE MOUNT BRACKET	
10.	806-092C	U-BOLT 1/2-13 X 2 X 4	
11.	804-015C	WASHER LOCK SPRING 1/2 PLT	
12.	803-020C	NUT HEX 1/2-13 PLT	

Hydraulic Cylinder (810-118C)



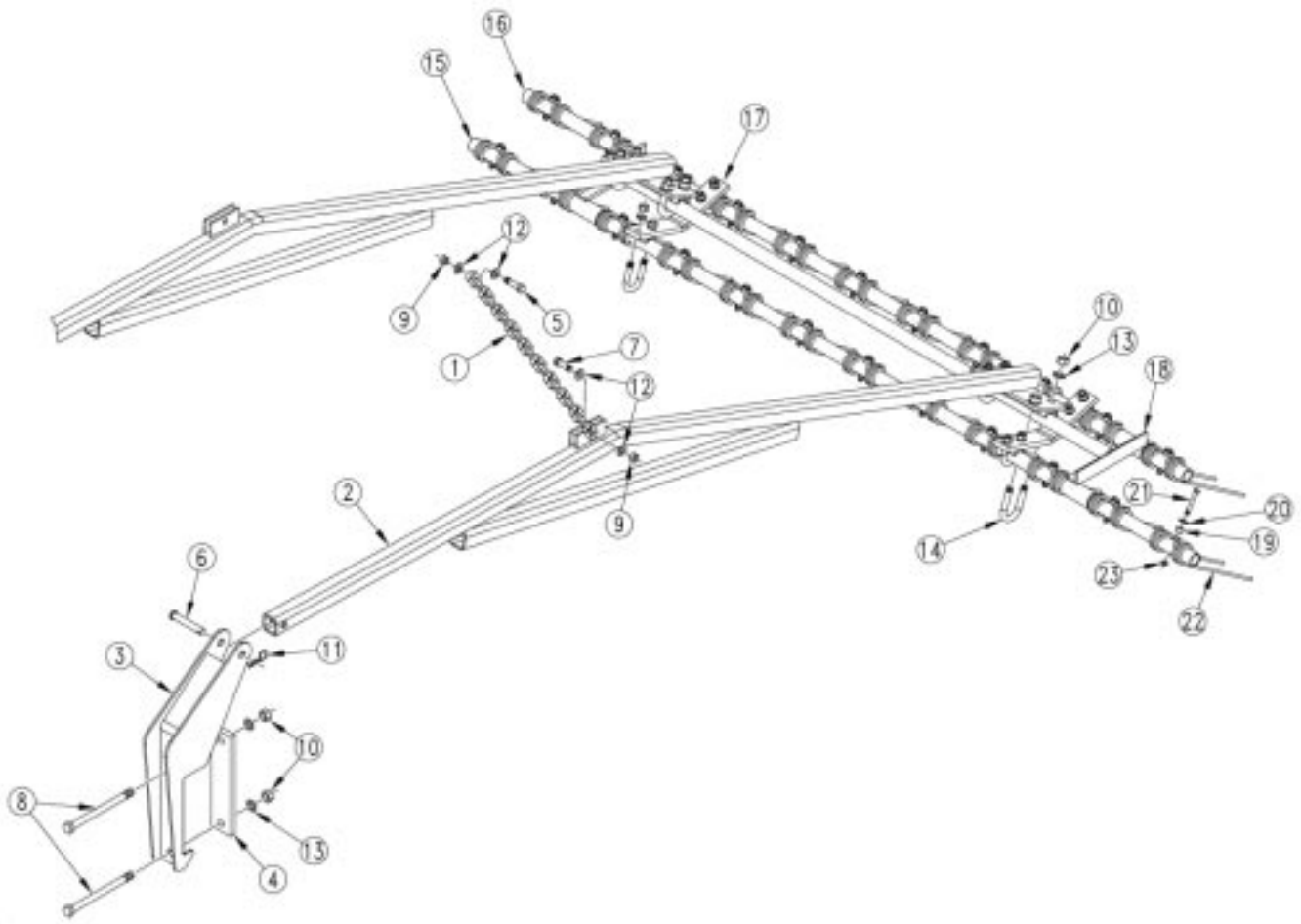
Hydraulic Cylinder (810-118C)

Ref.	Part No.	Part Description	Comments
1.	5M3128	MW TUBE 2-1/2 X 20 CYLINDER	
2.	2M3326	MW ROD	
3.	1M6006	MW ROD CLEVIS	
4.	2A0012	MW NUT CLEVIS & TIE ROD	
5.	2A0006	MW CAPSCREW	
6.	7M3328	MW TIE ROD	
7.	2A0012	MW NUT CLEVIS & TIE ROD	
8.	3R0310	MW HEAD	
9.		O-RING ROD	Only available in item 19
10.		BACKUP ROD	Only available in item 19
11.		ROD WIPER	Only available in item 19
12.		O-RING PISTON	Only available in item 19
13.	4M3102	MW PISTON 2 1/2 CYL	
14.	6R0158	MW BASE	
15.	2A0022	MW NUT, PISTON	
16.		BACKUP PISTON	Only available in item 19
17.	2A0208	MW CLEVIS PIN	
18.	2A0132	MW PIN CLIP	
19.	810-119C	SEAL KIT 2.5 CROSS 3C4385	

Marker Sequence Valve (810-197C)

Ref.	Part No.	Part Description	Comments
1.	3089	SHOEMAKER BODY MKR SEQ VALVE	
2.	1088-908	SHOEMAKER O-RING	
3.	1132-08	SHOEMAKER PLUG, HEX SOCKET	
4.	1179	SHOEMAKER NEEDLE, FLOW CONTROL	
5.	1217	SHOEMAKER .125 SPRING PIN	
6.	1211	SHOEMAKER SPRING COMPRESSION	
7.	1088-011	SHOEMAKER O-RING	
8.	1089-011	SHOEMAKER TEFLON BACK UP RING	
9.	1180	SHOEMAKER SCREW, FLOW CON. ADJ.	
10.	1218	SHOEMAKER HEX, JAM NUT Z PLTD.	
11.	1099	SHOEMAKER SPRING DETENT	
12.	1087-250	BALL, STEEL 1/4" DIAMETER	
13.	1087-437	SHOEMAKER 7/16 DIA STEEL BALL	
14.	1042	SPRING	
15.	1088-906	SHOEMAKER O-RING	
16.	1182	SHOEMAKER FITTING PORT ADPT.	
17.	1132-05	SHOEMAKER HEX, SKT O-RING PLUG	
18.	1088-905	SHOEMAKER O-RING	
19.	1092-6	SHMKR ST CNTR REPL BY 1092-6-6	
20.	2153	SHOEMAKER SPOOL, MKR SEQ. .055	
21.	804-013C	WASHER LOCK SPRING 3/8 PLT	
22.	802-014C	HHCS 3/8-16X3/4 GR5	

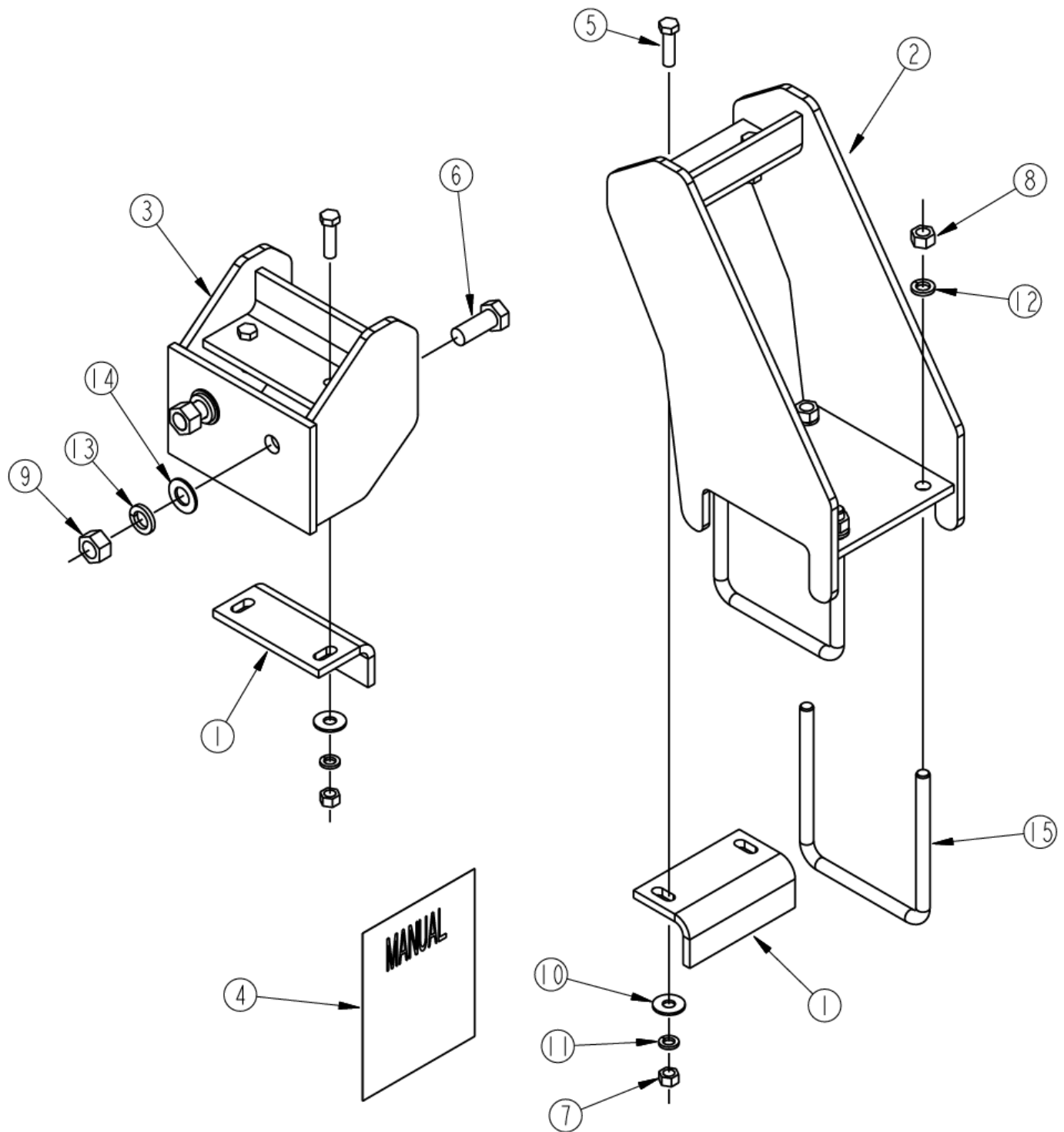
Harrow



Harrow

Ref.	Part No.	Part Description	Comments
1.	116-191D	3-PT SUPPORT CHAIN LONG	
2.	116-202H	HARROW ARM WELDMENT - 80 INCH	
3.	116-205H	3N-30 HARROW MOUNT WLDMT	
4.	116-229D	HARROW MOUNT BOLT PLATE	
5.	802-022C	HHCS 3/8-16X1 1/2 GR5	
6.	805-260C	PIN CLEVIS 1/2X2 49/64 USABLE	
7.	802-079C	HHCS 3/8-16X1 1/4 GR5	
8.	802-323C	HHCS 1/2-13X6 1/2 GR5	
9.	803-013C	NUT LOCK 3/8-16 PLT	
10.	803-020C	NUT HEX 1/2-13 PLT	
11.	805-010C	PIN HAIR COTTER .094	
12.	804-012C	WASHER FLAT 3/8 SAE PLT	
13.	804-015C	WASHER LOCK SPRING 1/2 PLT	
14.	806-046C	U-BOLT 1/2-13 X 1 3/8X2 3/4 LG	
15.	116-114D	15' TINE TUBE	
16.	116-116D	14' TINE TUBE	
17.	116-062H	CENTER BRACE WELDMENT	
18.	116-065H	15' FRAME WELDMENT	
19.	890-351C	BUSHING 5/8 OD X 11/32 ID	
20.	804-010C	WASHER FLAT 5/16 USS PLT	
21.	802-138C	HHCS 5/16-18X2 1/4 GR5	
22.	807-079C	HARROW DBL TORSION SPRG 11 IN	
23.	803-084C	NUT HEX NYLOCK 5/16-18 PLT	

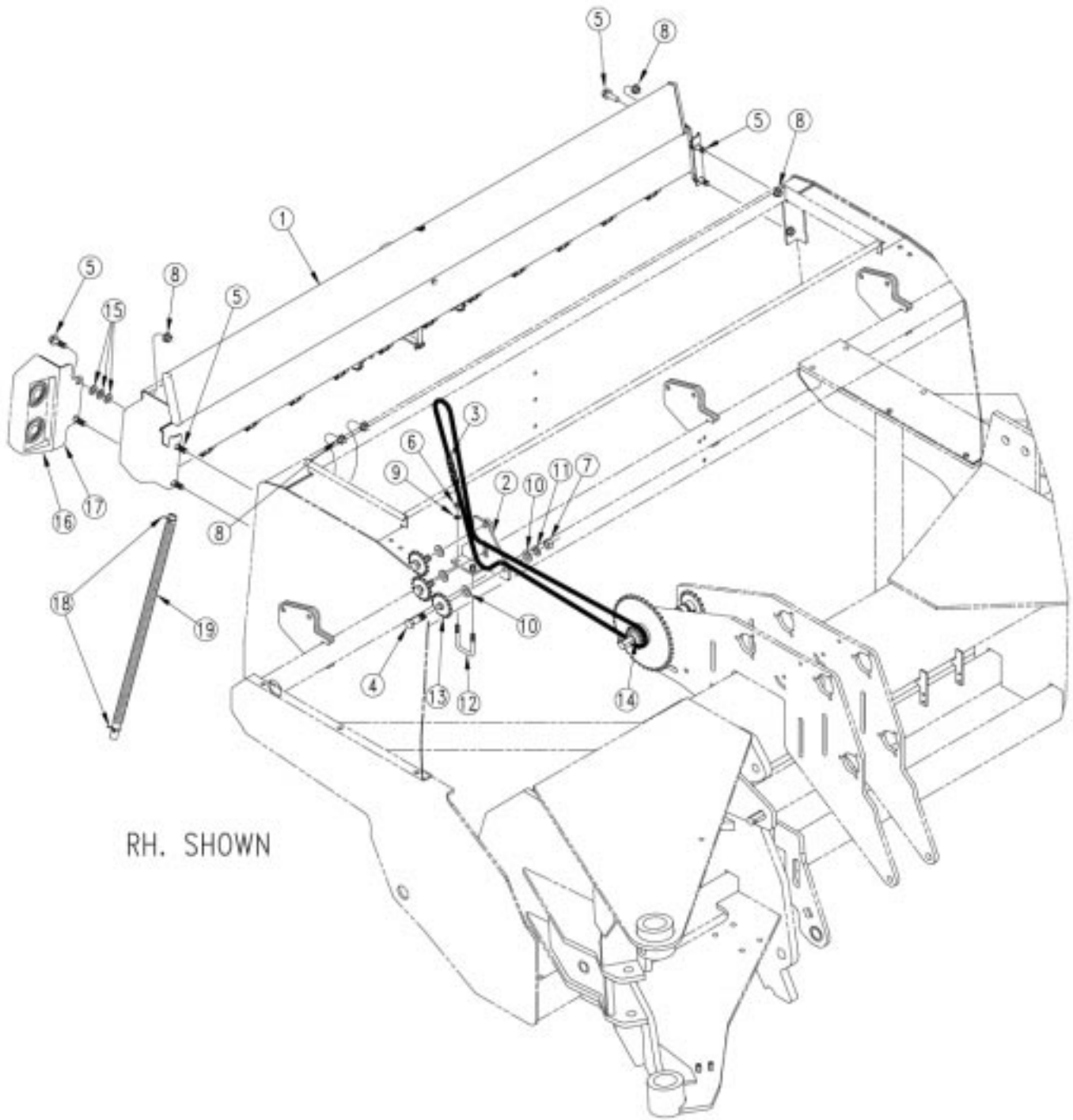
Weight Bracket



Weight Bracket

Ref.	Part No.	Part Description	Comments
1.	197-062D	WEIGHT BRACKET ADJ LEG	
2.	197-159H	WEIGHT BKT WELDMNT 8 TUBE	
3.	197-160H	3N-30 WING WEIGHT BKT WLDMNT	
4.	197-161M	MANUAL 3N-30 WEIGHT BKT ASSY	
5.	802-057C	HHCS 5/8-11X2 1/4 GR5	
6.	802-096C	HHCS 1-8X2 1/2 GR5	
7.	803-021C	NUT HEX 5/8-11 PLT	
8.	803-027C	NUT HEX 3/4-10 PLT	
9.	803-031C	NUT HEX 1-8 PLT	
10.	804-019C	WASHER FLAT 5/8 USS PLT	
11.	804-022C	WASHER LOCK SPRING 5/8 PLT	
12.	804-023C	WASHER LOCK SPRING 3/4 PLT	
13.	804-027C	WASHER LOCK SPRING 1 PLT	
14.	804-029C	WASHER FLAT 1 SAE	
15.	806-037C	U-BOLT 3/4-10 X 8 1/16 X 9 1/2	

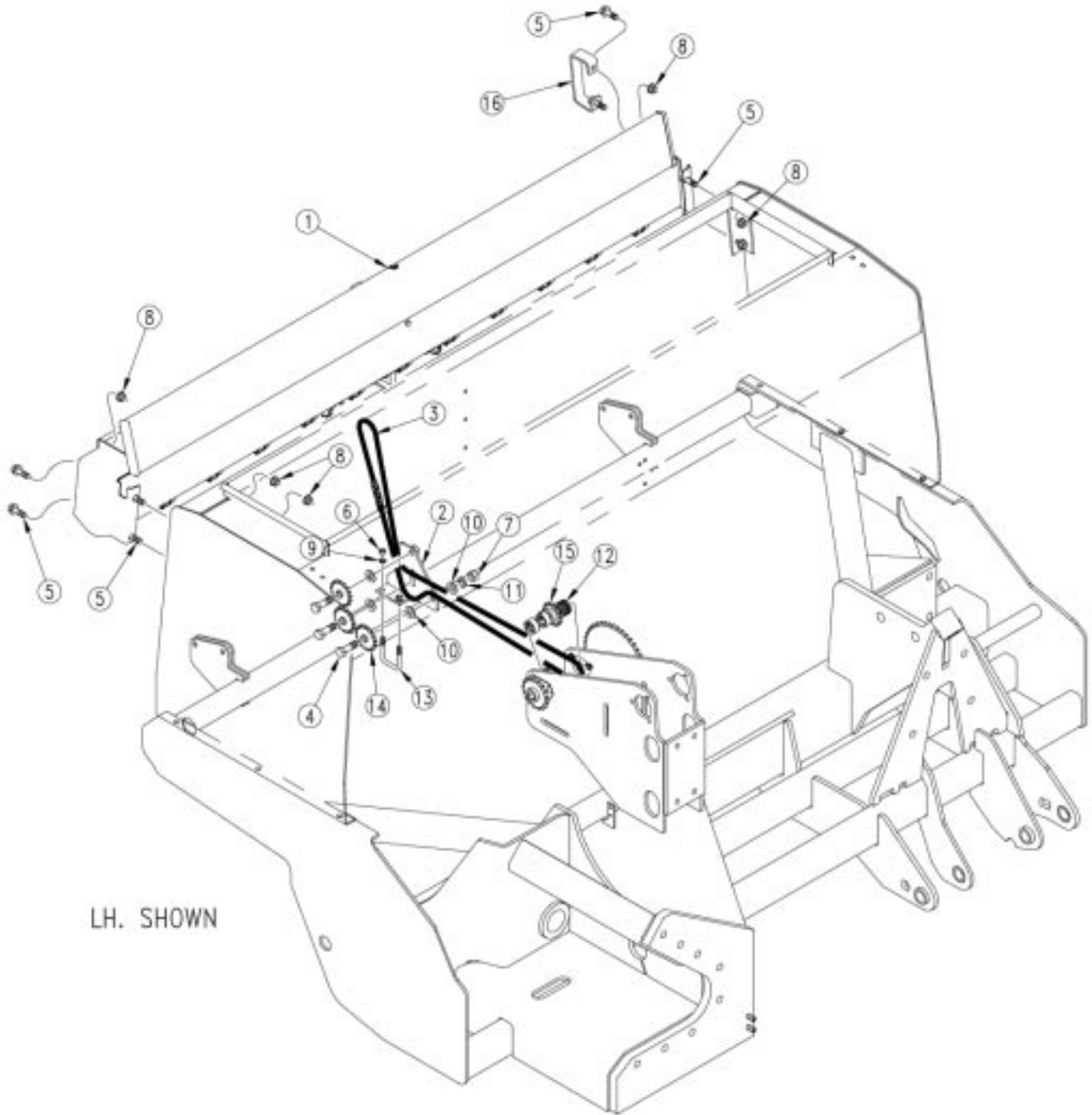
Small Seeds Box Components (Center Section)



Small Seeds Box Components (Center Section)

Ref.	Part No.	Part Description	Comments
1.	133-196L	3N-30P 7 1/2" SML SDS BOX ASS	Shown
	133-213L	3N-30P 10" SML SDS BOX ASSY	
2.	133-234H	3N-30P SML SDS IDLER MOUNT	
3.	136-204D	CHAIN RL #40 178 PITCHES	
4.	802-226C	HHCS 1/2-13X2 3/4 GR5	
5.	802-203C	HFSS 1/2-13X1 1/2 GR5	
6.	803-014C	NUT HEX 3/8-16 PLT	
7.	803-036C	NUT HEX JAM 1/2-13 PLT	
8.	803-169C	NUT HEX FLG. LOCK 1/2-13 PLT.	
9.	804-013C	WASHER LOCK SPRING 3/8 PLT	
10.	804-016C	WASHER FLAT 1/2 SAE PLT	
11.	804-015C	WASHER LOCK SPRING 1/2 PLT	
12.	806-004C	U-BOLT 3/8-16 X 2 X 2 3/4	
13.	817-025C	NO. 40 12T IDLER SPKT.	
14.	808-147C	SPKT 40C15 X 7/8 HEX BORE	
15.	804-016C	WASHER FLAT 1/2 SAE PLT	
16.	890-312C	DUAL AG LIGHTS RH	
17.	150-138D	12' EWNT LIGHT BRACKET	
18.	800-321C	HOSE CLAMP NO.12 3/4 ID	
19.	816-358C	SGS HOSE 122 RIBS	

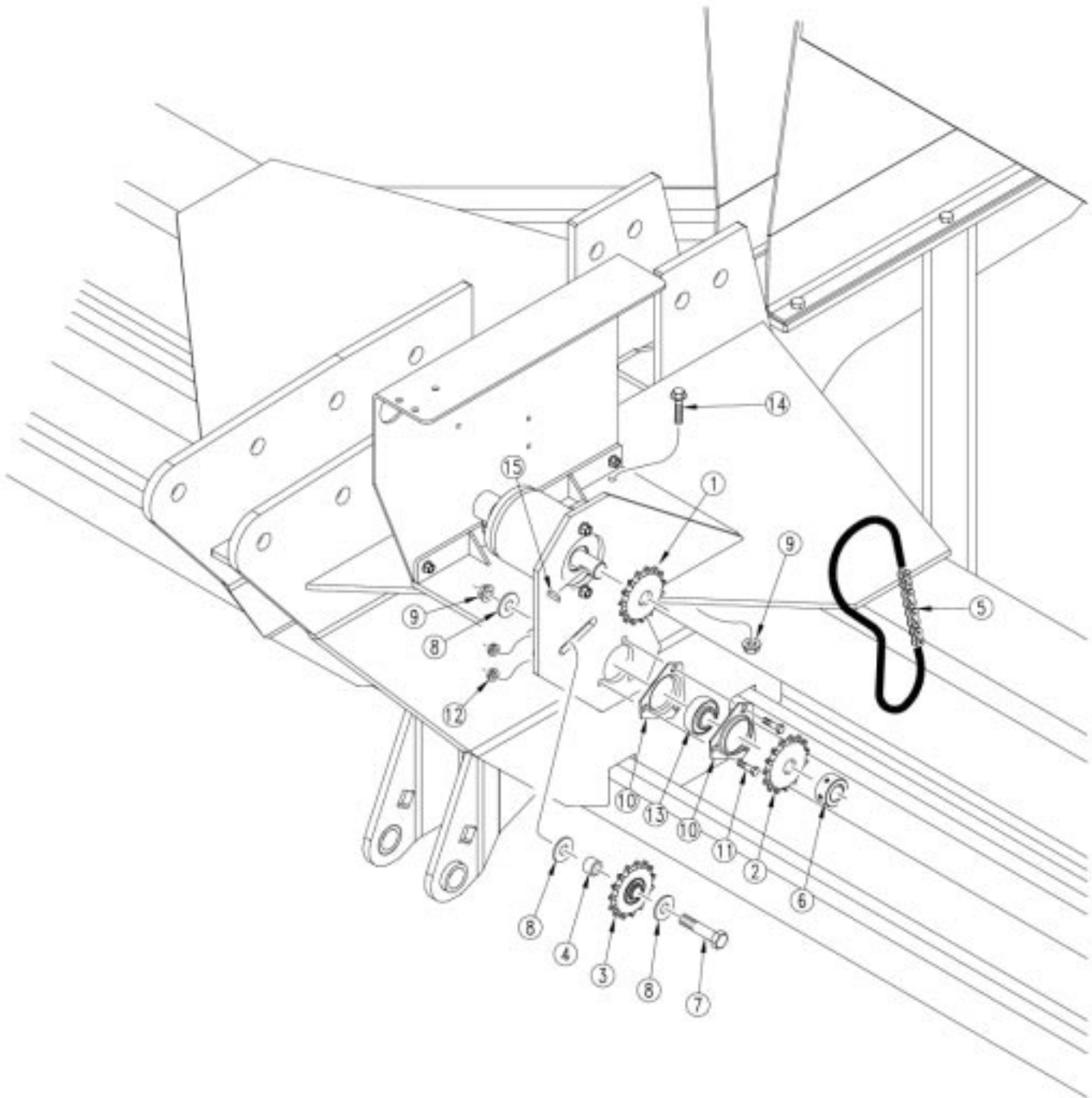
Small Seeds Box Components (Wings)



Small Seeds Box Components (Wings)

Ref.	Part No.	Part Description	Comments
1.	133-196L	3N-30P 7 1/2" SML SDS BOX ASS	Shown
	133-213L	3N-30P 10" SML SDS BOX ASSY	
2.	133-234H	3N-30P SML SDS IDLER MOUNT	
3.	136-204D	CHAIN RL #40 178 PITCHES	
4.	802-226C	HHCS 1/2-13X2 3/4 GR5	
5.	802-203C	HFSS 1/2-13X1 1/2 GR5	
6.	803-014C	NUT HEX 3/8-16 PLT	
7.	803-036C	NUT HEX JAM 1/2-13 PLT	
8.	803-169C	NUT HEX FLG. LOCK 1/2-13 PLT.	
9.	804-013C	WASHER LOCK SPRING 3/8 PLT	
10.	804-016C	WASHER FLAT 1/2 SAE PLT	
11.	804-015C	WASHER LOCK SPRING 1/2 PLT	
12.	804-061C	WASHER MACH 1.50 X 1.00 X 18GA	
13.	806-004C	U-BOLT 3/8-16 X 2 X 2 3/4	
14.	817-025C	NO. 40 12T IDLER SPKT.	
15.	808-147C	SPKT 40C15 X 7/8 HEX BORE	
16.	119-190D	HANDLE	

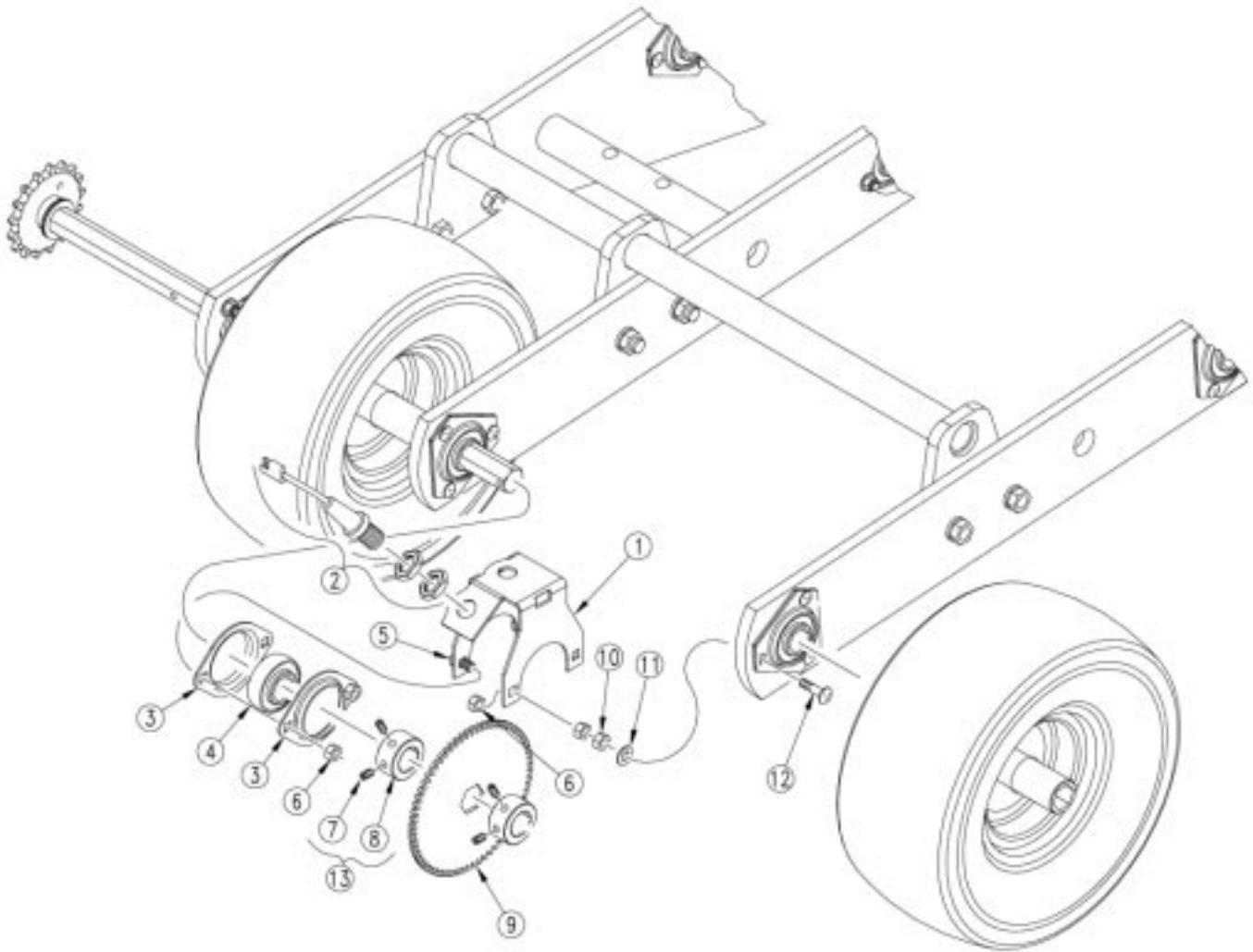
Veris Drive To Frame



Veris Drive To Frame

Ref.	Part No.	Part Description	Comments
1.	808-006C	SPKT 50B19 X 1 BORE	
2.	808-304C	SPKT 50C19 X 7/8 HEX BORE	
3.	808-341C	SPKT 50B13 IDLER	
4.	198-029D	PARALLEL ARM PIVOT TUBE	
5.	136-182D	CHAIN RL #50 50 PITCHES	
6.	402-025S	LOCK COLLAR, 7/8 HEX W/ SET SC	
7.	802-039C	HHCS 1/2-13X3 GR5	
8.	804-017C	WASHER FLAT 1/2 USS PLT	
9.	803-169C	NUT HEX FLG. LOCK 1/2-13 PLT.	
10.	822-175C	FLANGETTE 52 3-BOLT PLT	
11.	802-159C	HHCS 5/16-18X1 GR5	
12.	803-177C	NUT HEX LOCK 5/16-18 FLG.	
13.	822-195C	BRG.7/8HEX 52MM SPHR OD PEER	
14.	802-580C	HHCS 1/2-13X1 1/4 GR8	
15.	VER-20317	KEY WOODRUFF #808 1/4X1	

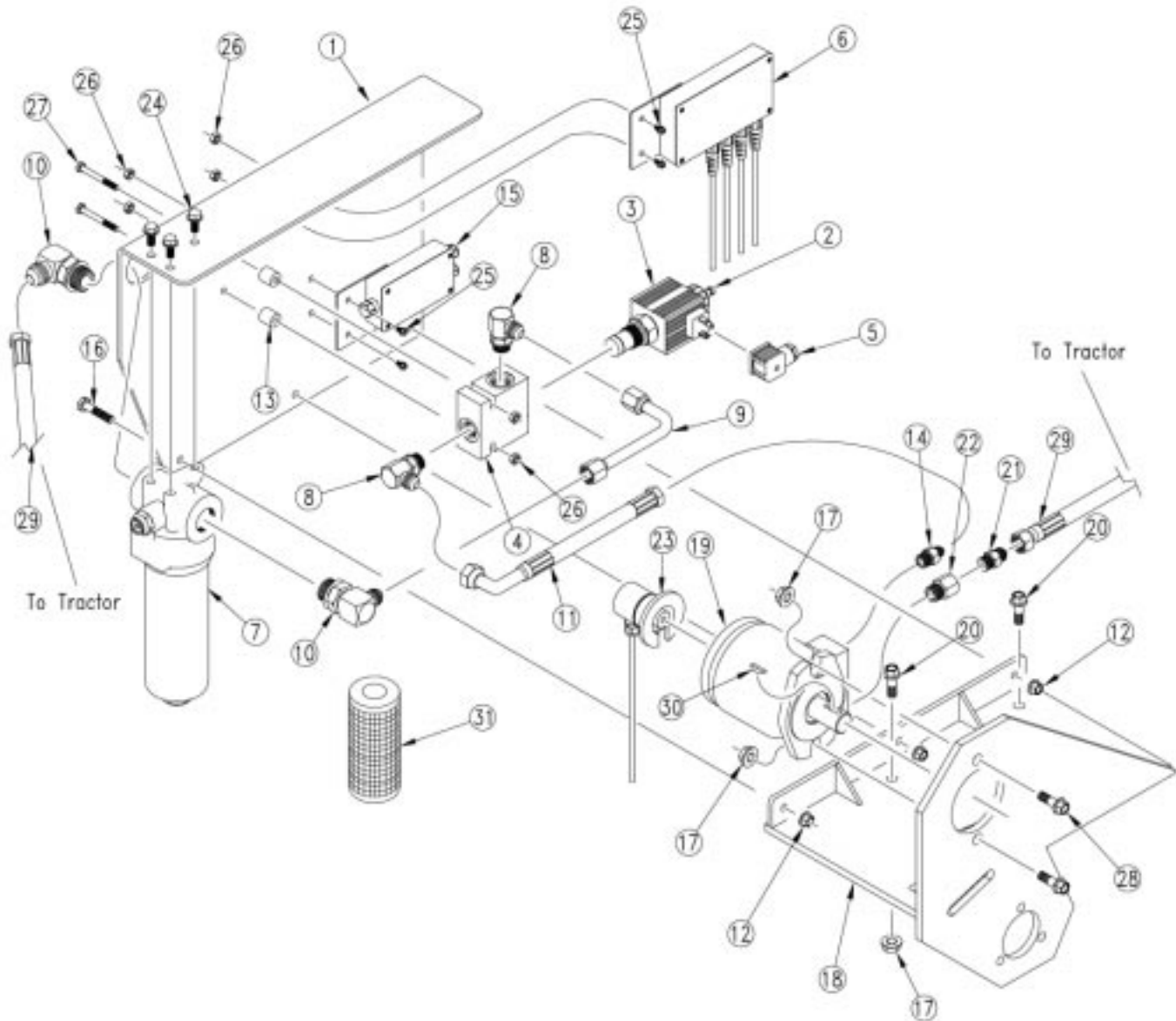
Veris Sensor Mount Bracket



Veris Sensor Mount Bracket

Ref.	Part No.	Part Description	Comments
1.	120-311D	SENSOR U-MOUNT BRACKET	
2.	833-200C	DJ MAGNETIC PICKUP	
3.	822-032C	FLANGETTE 52 MST	
4.	822-119C	BRG.7/8HEX BR 52MM SPHRICAL OD	
5.	802-705C	HHCS 5/16-18X5/8	
6.	803-177C	NUT HEX LOCK 5/16-18 FLG.	
7.	801-035C	SCREW SET 5/16-18 SKT KP X 3/8	
8.	402-058D	COLLAR LOCK 7/8 HEX	
9.	120-309D	SENSOR DISC, 42T 5.3 DIA PLTD	
10.	803-011C	NUT LOCK 5/16-18 PLT	
11.	804-036C	WASHER FLAT 5/16 SAE PLT	
12.	802-572C	RHSNB 5/16-18X1 3/4 GR5	
13.	402-025S	LOCK COLLAR, 7/8 HEX W/ SET SC	

Veris Drive Components

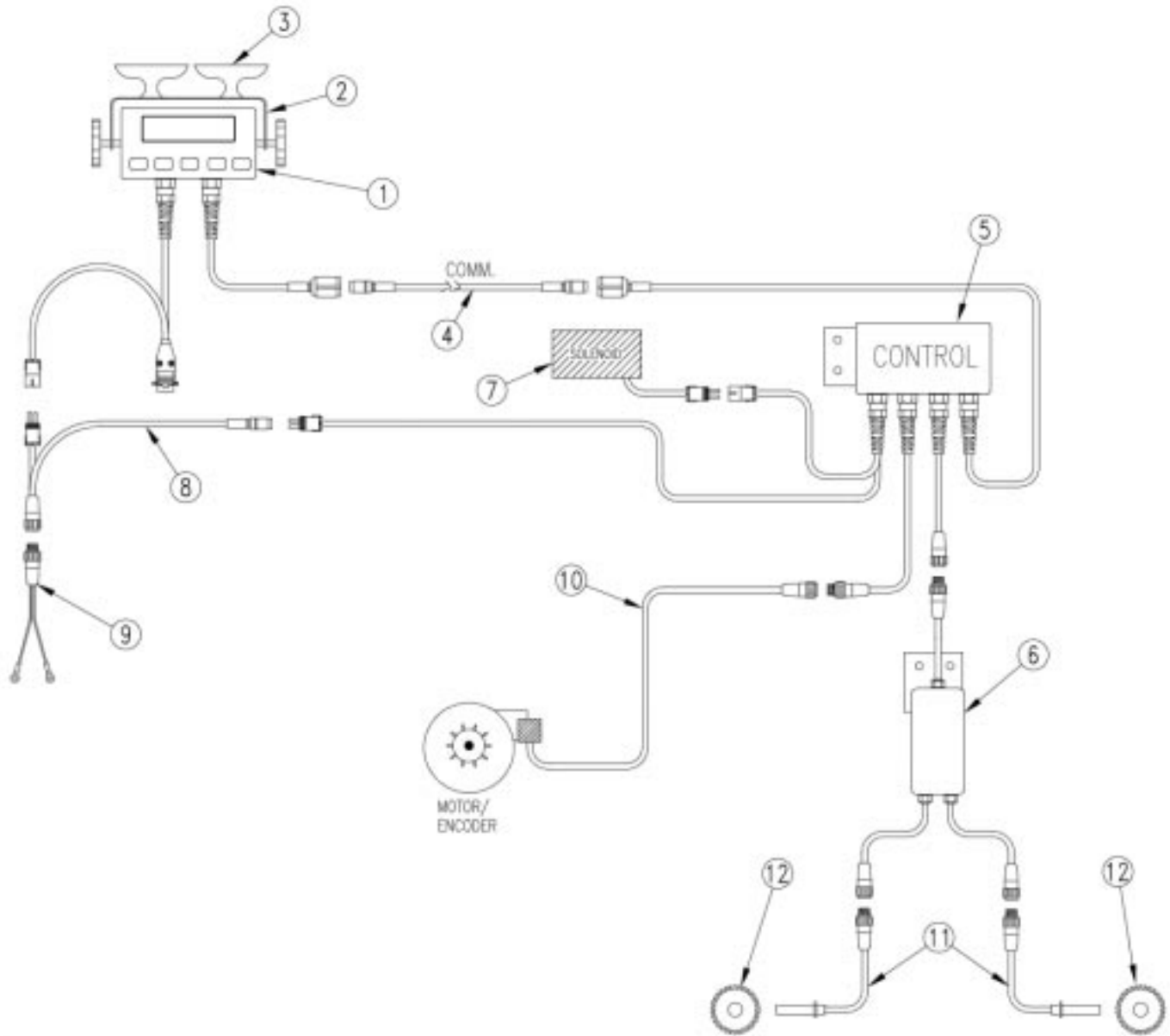


Veris Drive Components

Ref.	Part No.	Part Description	Comments
1.	VER-19518	VERIS CONTROL MODULE MOUNT 30F	
2.	VER-19798	VERIS VLV PROPORTIONAL CARTRID	
3.	VER-19799	VERIS COIL 12V WATERMAN CARTRI	
4.	VER-19800	VERIS VLV BODY SAE-12-2X SAE-8	
5.	VER-18375	VERIS SOLENOID CABLE	
6.	VER-21568	VERIS EXT. CONTROL	
7.	VER-18574	VERIS FILTER 3000 PSI	
8.	811-063C	EL 3/4MJIC 3/4MORB	
9.	VER-5209	VERIS HYD LINE STL .5 ODX.049W	
10.	811-091C	EL 3/4MJIC 1 1/16MORB	
11.	VER-19622	VERIS HOSE8M3K-8FJX-8FJX90S 18	
12.	803-177C	NUT HEX LOCK 5/16-18 FLG.	
13.	VER-5732	SPACER .75 OD X .266ID X.625 L	
14.	811-192C	AD 3/4MJIC 7/8MORB	
15.	VER-19678	HALL EFFECT MODULE 30FT DRILLS	
16.	802-642C	HFSS 5/16-18 X 3/4 GR5	
17.	803-169C	NUT HEX FLG. LOCK 1/2-13 PLT.	
18.	VER-19519	VERIS MOTOR MOUNT	
19.	VER-18666	VERIS MOTOR HYD7.1CIR W/ENCMNT	
20.	802-580C	HHCS 1/2-13X1 1/4 GR8	
21.	VER-19554	VERIS VLV IN-LINE CHECK	
22.	811-564C	AD 3/4FORB 7/8MORB	
23.	VER-18382	VERIS ENCODER W/ CABLE	
24.	VER-18548	BOLT FLG SERR 8.8 M8-1.25X16MM	
25.	802-257C	HFSS 1/4-20X3/4 GR5	
26.	803-088C	NUT HEX LOCK 1/4-20 FLG	
27.	802-274C	HHCS 1/4-20X3 GR5	
28.	802-203C	HFSS 1/2-13X1 1/2 GR5	
29.	VER-19623	VERIS HOSE 8M3K-8FJX-8MB 372	
30.	VER-20317	KEY WOODRUFF #808 1/4X1	
31.	VER-19856	FILTER ELEMENT PALL 6 MICRON	

Legend: ● = 1st revision; ● = 2nd revision; ● = 3rd revision; ● = use up existing stock; ⊗ = not interchangeable; ⊗ ① ● = for example: revision 2 is not interchangeable w/revision 1

Veris Drive Controller



Veris Drive Controller

Ref.	Part No.	Part Description	Comments
1.	VER-21567	VERIS CAB CONSOLE	
2.	VER-19516	VERIS MOUNT	
3.	VER-19579	VERIS SUCTION CUP	
4.	VER-21476	VERIS POWER / COMM CABLE 31	
5.	VER-18360	VERIS CONTROLLER ASM	
6.	VER-19678	HALL EFFECT MODULE 30FT DRILLS	
7.	VER-18375	VERIS SOLENOID CABLE	
8.	VER-19676	VERIS POWER PORT ADAPTER	
9.	VER-19729	VERIS PWR PRT ADPTR-HYD DRIVE	
10.	VER-18382	VERIS ENCODER W/ CABLE	
11.	833-200C	DJ MAGNETIC PICKUP	
12.	120-309D	SENSOR DISC, 42T 5.3 DIA PLTD	